

Cast Iron Soil Pipe

CIS95



Features and Benefits

- Excellent acoustic properties
- Fully recyclable
- High durability and abrasion resistance
- Optimum corrosion protection
- Sturdy and dimensionally stable
- Rapid and simple assembly

Material Specifications

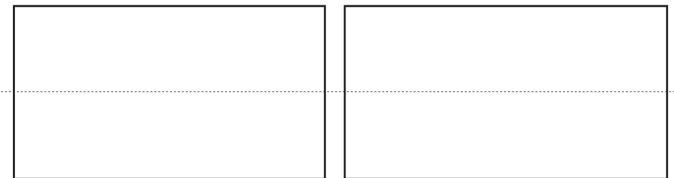
Description	Materials
Core	Grey Cast Iron with lamellar graphite
Coating – Internal	Cross-linked ochre colour resin epoxy coating (120 µm)
Coating – External	Painted with red-brown colour base coat (40 µm)

Technical Data

- Reaction to fire according to EN 13501: A2. (Non combustible)
- Tensile strength: ≥ 150 MPa
- Compression strength: ≥ 450 MPa
- Shear strength: ≥ 165 MPa
- Density: approx. 7.2 kg/dm³ (71.5 kN/m³)
- Acoustic rated according to EN 14366:2005
- Low thermal expansion (0.0105 mm/mK)

Applicable Standards

- Pipe and Fittings Standard: EN 877
- Design Standard: DIN 19522
- Quality standard: RAL-GZ 698



Product Codes and Dimensions

All pipe supplied in 3000mm lengths as double spigot / socketless straight tube.

STOCK NO.	Nominal Dia. (mm)	External Diameter		Wall Thickness		Insertion Length (mm)	Weight (Kg)	
		OD (mm)	Tolerance	(mm)	Tolerance		Empty	Filled
52000	50	58	+2 / - 1	3.5	- 0.5	30	13.00	19.20
52001	70	78	+2 / - 1	3.5	- 0.5	35	17.70	29.70
52002	100	110	+2 / - 1	3.5	- 0.5	40	25.50	50.10
52003 *	125	135	+2 / - 2	4.0	- 0.5	45	35.70	73.50
52004	150	160	+2 / - 2	4.0	- 0.5	50	42.60	96.60
52005	200	210	+2.5 / - 2.5	5.0	- 1.0	60	69.90	163.50
52038 *	250	274	+2.5 / - 2.5	5.5	- 1.0	70	100.50	262.80
52039 *	300	326	+2.5 / - 2.5	6.0	- 1.0	80	130.80	361.80

* Special Order / Project Items

Ductile Iron Coupler CIS01



Technical Data

- Chemical resistance to wide range: pH2 to pH12
- Tensile strength: ≥ 150 MPa
- Compression strength: $\square 450$ MPa
- Shear strength: ≥ 165 MPa
- Density: approx. 7.2 kg/dm³ (71.5 kN/m³)
- Low thermal expansion (0.0105 mm/mK)

Applicable Standards

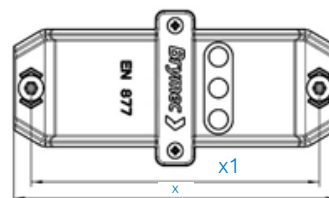
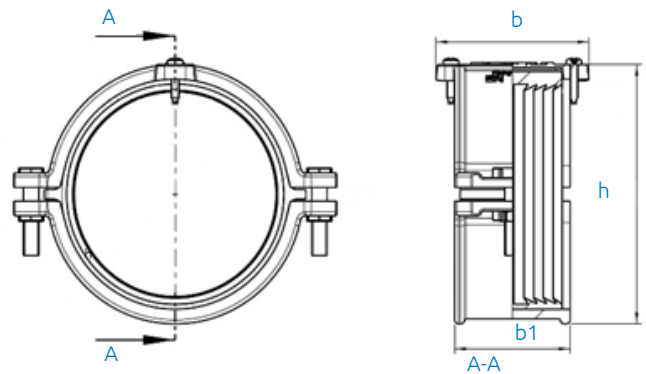
- Pipe and Fittings Standard: EN 877
- EPDM: EN 681-1:1996

Features and Benefits

- Tried and tested coupling for all standard application in wastewater pipelines
- Double bolt secured
- Complete with electrical continuity screws
- May also be used for repair work
- EPDM gasket for sound reduction
- High durability
- Not susceptible to temperature change
- Rapid and simple assembly

Material Specifications

Description	Materials
Coupling	Ductile Iron
Gasket	EPDM – Shore=55° +/-5°
Clamping Bolt	M8 x 40mm S/Steel, 6mm Hex Cap Head



Product Codes and Dimensions

STOCK NO.	Nominal Diameter (mm)	h (mm)	x (mm)	x1 (mm)	b (mm)	b1 (mm)	Weight (KG)
52006	50	80	111	93	70	50	0.65
52007	70	107	132	115	70	50	0.83
52008	100	133	168	150	80	60	1.19
52009	150	183	230	215	90	71	1.87
52010	200	239	278	256	102	82	3.85

Rapid Coupler CIS05



Technical Data

- Stainless Steel Coupling with EPDM Gasket
- Suitable for External and Below Ground applications
- Axial Restraint up to 0.5 Bar
- DN50-100 – Single Bolt
DN125-300 – Double Bolt
- 6mm Hex Driver – DN50 – 150
8mm Hex Driver – DN200 - 300

Applicable Standards

- Pipe and Fittings Standard: EN 877
- EPDM: EN 681-1:1996

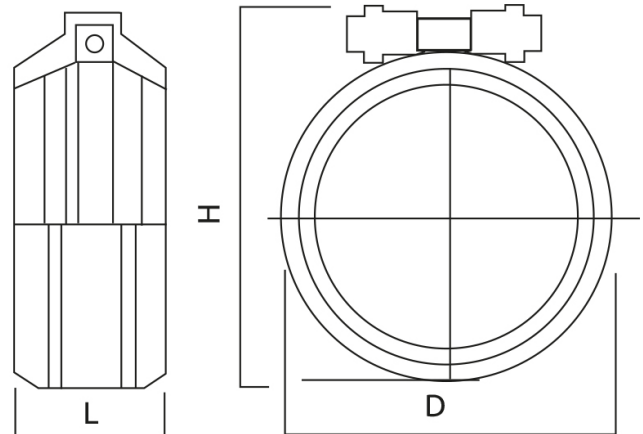


Features and Benefits

- Tried and tested coupling for all standard application in wastewater pipelines
- Single bolt fixing for popular sizes
- Integrated EPDM gasket for sound reduction
- High lateral rigidity
- Rapid and simple assembly
- Use in combination with the Rapid Clamp for high pressure / restraint joints

Material Specifications

Description	Materials
Coupling	Stainless Steel V4A 1.4571
Gasket	EPDM, Shore = 55° (+/-5°)
Clamping Bolt	Stainless Steel A4-80



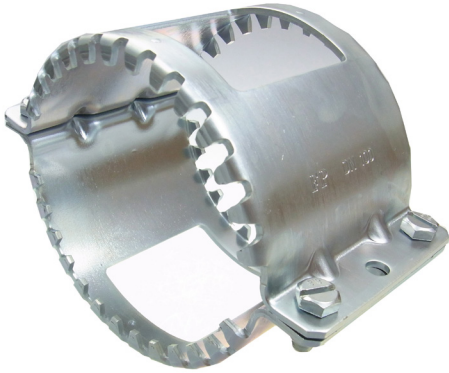
Product Codes and Dimensions

STOCK NO.	Nominal Diameter (mm)	Tightening Torque (N/m)	H (mm)	D (mm)	L (mm)	Weight (Kg)
52017	50	13-15	80	70	40	0.13
52018	70	13-15	100	90	40	0.15
52019	100	13-15	135	125	46	0.19
52020 *	125	13-15	162	147	55	0.30
52021	150	13-15	187	172	55	0.32
52022	200	13-15	244	227	70	0.67
52040 *	250	13-15	306	293	96	1.38
52041 *	300	13-15	360	345	96	1.50

* Special Order / Project Items

Rapid Overclamp

CIS06



Technical Data

- Galvanised Steel Overclamp
- Axial Restraint up to 10.0 Bar
- For rainwater and wastewater pipes in pressurised pipes and areas affected by backwater
- DN50-125 – 2 Part Collar with 4 Bolts
- DN150 – 3 Part Collar with 6 Bolts
- DN200-300 – 1 Part Collar with 2 Bolts

Applicable Standards

- For Pipe and Fittings Standard: EN 877

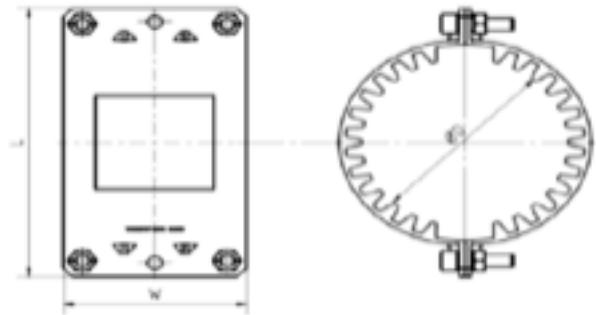


Features and Benefits

- Grip Collar with claws
- Clamp used in addition to the Rapid coupling for pressure and backwater pipes
- Use with pipe support brackets for axially restrained joints

Material Specifications

Description	Materials
Clamp	DD11 Galvanised
Clamping Bolts	BZP Steel



Product Codes and Dimensions

STOCK NO	Nominal Diameter (mm)	Torque (N/m)	P max (Bar)	L (mm)	W (mm)	Weight (Kg)
52023	50	27- 29	10	120	77	0.46
52024	70	27- 29	10	140	77	0.56
52025	100	27- 29	7	172	96	0.91
52026 *	125	27- 29	6	196	96	1.09
52027	150	27- 29	4	221	96	1.26
52028 *	200	In Abutment	5	270	113	2.00
52029 *	250	In Abutment	3	335	139	2.88
52030 *	300	In Abutment	3	490	139	3.00

* Special Order / Project Items

Ductile Iron Bracket CIS75



Technical Data

- Tensile strength: ≥ 150 MPa
- Compression strength: ≥ 450 MPa
- Shear strength: ≥ 165 MPa
- Density: approx. 7.2 kg/dm^3 (71.5 kN/m^3)
- Low thermal expansion (0.0105 mm/mK)

Applicable Standards

- Pipe & Fittings Standard: EN 877

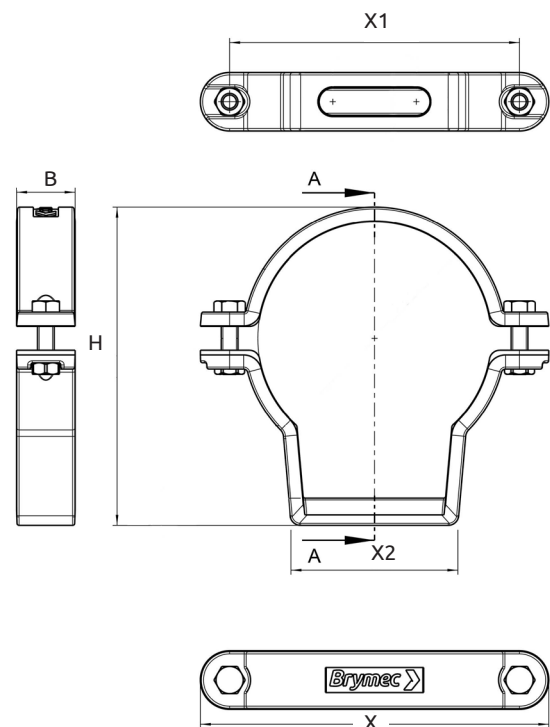


Features Benefits

- Excellent acoustic properties
- Fully recyclable
- High durability and abrasion resistance
- Optimum corrosion protection
- Sturdy and dimensionally stable
- Rapid and simple assembly

Material Specifications

Description	Materials
Bracket	Ductile Iron
Clamping Bolt	M8 x 30mm BZP



Product Codes and Dimensions

STOCK NO.	Nominal Dimension (mm)	H (mm)	X (mm)	X1 (mm)	X2 (mm)	B (mm)	Weight (mm)
52032	50	99	115	87	49	27	0.43
52033	70	120	135	107	59	27	0.53
52034	100	153	167	139	80	28	0.66
52035	150	202	215	185	85	32	0.97
52036	200	264	266	239	105	32	1.48

Downpipe Bracket

CIS76



Features and Benefits

- Excellent acoustic properties
- Fully recyclable
- High durability and abrasion resistance
- Optimum corrosion protection
- Sturdy and dimensionally stable
- For use with the bearing ring for vertical stack high load applications

Material Specifications

Description	Materials
Core	Grey Cast Iron with lamellar graphite
Coating	Cross-linked red-brown colour resin epoxy coating (40 µm)

Product Codes and Dimensions

STOCK NO.	Nominal Dimension (mm)	L (mm)	D (mm)	Weight (mm)
52201	50	200	87	1.30
52202	70	200	106	1.80
52203	100	200	145	2.70
52204 *	125	200	170	3.00
52205	150	200	195	4.00
52206	200	200	245	5.90
52208 *	250	300	340	18.70

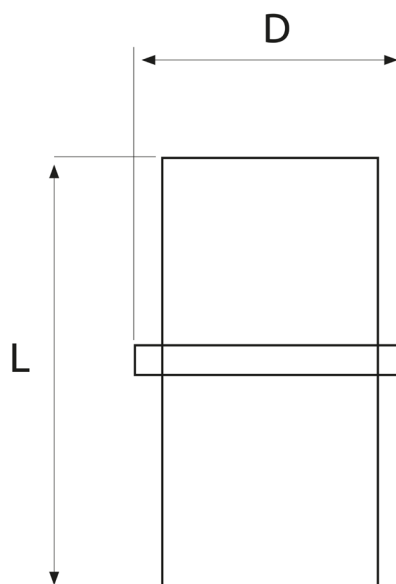
* Special Order / Project Items

Technical Data

- Reaction to fire according to EN 13501: A2. (Non combustible)
- Chemical resistance to wide range: pH2 to pH12
- Tensile strength: ≥ 150 MPa
- Compression strength: ≥ 450 MPa
- Shear strength: ≥ 165 MPa
- Density: approx. 7.2 kg/dm³ (71.5 kN/m³)
- Acoustic rated according to EN 14366:2005
- Low thermal expansion (0.0105 mm/mK)

Applicable Standards

- Pipe and Fittings Standard: EN 877
- Design Standard: DIN 19522
- Quality standard: RAL-GZ 698



Single Elbow 15°

CIS21



Features and Benefits

- Excellent acoustic properties
- Fully recyclable
- High durability and abrasion resistance
- Optimum corrosion protection
- Sturdy and dimensionally stable
- Rapid and simple assembly

Material Specifications

Description	Materials
Core	Grey Cast Iron with lamellar graphite
Coating	Cross-linked red-brown colour resin epoxy coating (40 µm)

Product Codes and Dimensions

STOCK NO.	Nominal Diameter (mm)	X (mm)	Weight (KG)
52047 *	50	40	0.40
52048 *	70	45	0.60
52049	100	50	1.00
52050 *	125	60	1.80
52051	150	65	2.60
52052	200	80	4.60

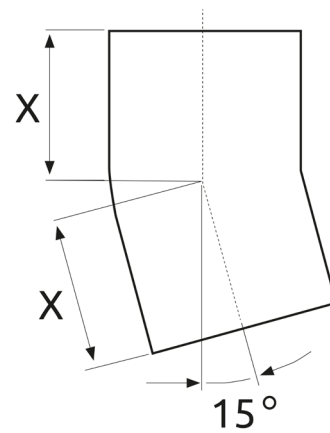
* Special Order / Project Items

Technical Data

- Reaction to fire according to EN 13501: A2. (Non combustible)
- Chemical resistance to wide range: pH2 to pH12
- Tensile strength: ≥ 150 MPa
- Compression strength: ≥ 450 MPa
- Shear strength: ≥ 165 MPa
- Density: approx. 7.2 kg/dm³ (71.5 kN/m³)
- Acoustic rated according to EN 14366:2005
- Low thermal expansion (0.0105 mm/mK)

Applicable Standards

- Pipe and Fittings Standard: EN 877
- Design Standard: DIN 19522
- Quality standard: RAL-GZ 698



Single Elbow 30°

CIS19



Features and Benefits

- Excellent acoustic properties
- Fully recyclable
- High durability and abrasion resistance
- Optimum corrosion protection
- Sturdy and dimensionally stable
- Rapid and simple assembly

Material Specifications

Description	Materials
Core	Grey Cast Iron with lamellar graphite
Coating	Cross-linked red-brown colour resin epoxy coating (40 µm)

Product Codes and Dimensions

STOCK NO.	Nominal Diameter(mm)	X (mm)	Weight (KG)
52053	50	45	0.50
52054	70	50	0.70
52055	100	60	1.30
52056 *	125	70	2.10
52057	150	80	3.00
52058	200	95	5.40
52043 *	250	110	8.00
52044 *	300	130	14.00

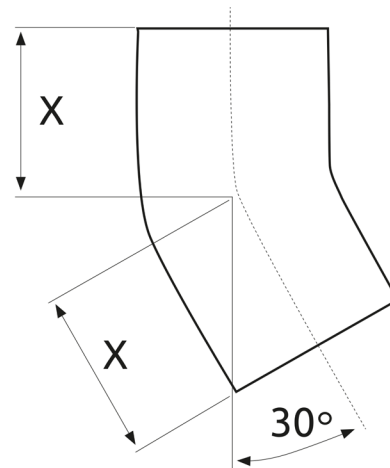
* Special Order / Project Items

Technical Data

- Reaction to fire according to EN 13501: A2. (Non combustible)
- Chemical resistance to wide range: pH2 to pH12
- Tensile strength: ≥ 150 MPa
- Compression strength: ≥ 450 MPa
- Shear strength: ≥ 165 MPa
- Density: approx. 7.2 kg/dm³ (71.5 kN/m³)
- Acoustic rated according to EN 14366:2005
- Low thermal expansion (0.0105 mm/mK)

Applicable Standards

- Pipe and Fittings Standard: EN 877
- Design Standard: DIN 19522
- Quality standard: RAL-GZ 698



Single Elbows 45°

CIS11



Features and Benefits

- Excellent acoustic properties
- Fully recyclable
- High durability and abrasion resistance
- Optimum corrosion protection
- Sturdy and dimensionally stable
- Rapid and simple assembly

Material Specifications

Description	Materials
Core	Grey Cast Iron with lamellar graphite
Coating	Cross-linked red-brown colour resin epoxy coating (40 µm)

Product Codes and Dimensions

STOCK NO.	Nominal Diameter (mm)	X (mm)	Weight (KG)
52059	50	50	0.50
52060	70	60	0.90
52061	100	70	1.60
52062 *	125	80	2.30
52063	150	90	3.50
52064	200	110	5.70
52045 *	250	130	10.30
52046 *	300	155	16.50

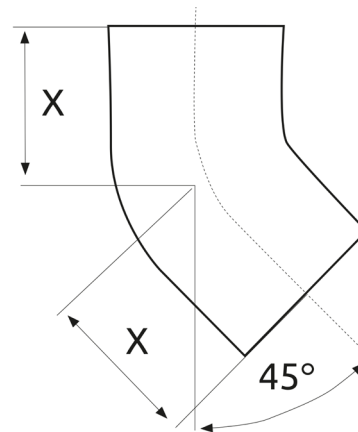
* Special Order / Project Items

Technical Data

- Reaction to fire according to EN 13501: A2. (Non combustible)
- Chemical resistance to wide range: pH2 to pH12
- Tensile strength: ≥ 150 MPa
- Compression strength: ≥ 450 MPa
- Shear strength: ≥ 165 MPa
- Density: approx. 7.2 kg/dm³ (71.5 kN/m³)
- Acoustic rated according to EN 14366:2005
- Low thermal expansion (0.0105 mm/mK)

Applicable Standards

- Pipe and Fittings Standard: EN 877
- Design Standard: DIN 19522
- Quality standard: RAL-GZ 698



Single Elbows 68°

CIS18



Features and Benefits

- Excellent acoustic properties
- Fully recyclable
- High durability and abrasion resistance
- Optimum corrosion protection
- Sturdy and dimensionally stable
- Rapid and simple assembly

Material Specifications

Description	Materials
Core	Grey Cast Iron with lamellar graphite
Coating	Cross-linked red-brown colour resin epoxy coating (40 µm)

Product Codes and Dimensions

STOCK NO.	Nominal Diameter (mm)	X (mm)	Weight (Kg)
52065	50	65	0.70
52066	70	75	1.10
52067	100	90	1.90
52068 *	125	105	2.90
52069	150	120	4.10
52070	200	145	7.70

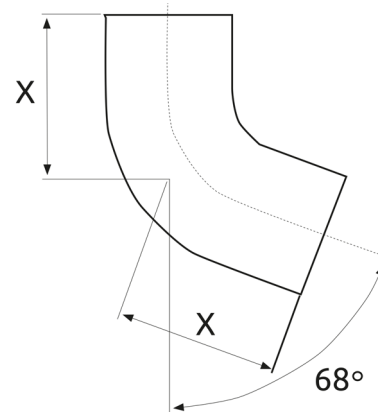
* Special Order / Project Items

Technical Data

- Reaction to fire according to EN 13501: A2. (Non combustible)
- Chemical resistance to wide range: pH2 to pH12
- Tensile strength: ≥ 150 MPa
- Compression strength: ≥ 450 MPa
- Shear strength: ≥ 165 MPa
- Density: approx. 7.2 kg/dm³ (71.5 kN/m³)
- Acoustic rated according to EN 14366:2005
- Low thermal expansion (0.0105 mm/mK)

Applicable Standards

- Pipe and Fittings Standard: EN 877
- Design Standard: DIN 19522
- Quality standard: RAL-GZ 698



Single Elbows 88°

CIS10



Features and Benefits

- Excellent acoustic properties
- Fully recyclable
- High durability and abrasion resistance
- Optimum corrosion protection
- Sturdy and dimensionally stable
- Rapid and simple assembly

Material Specifications

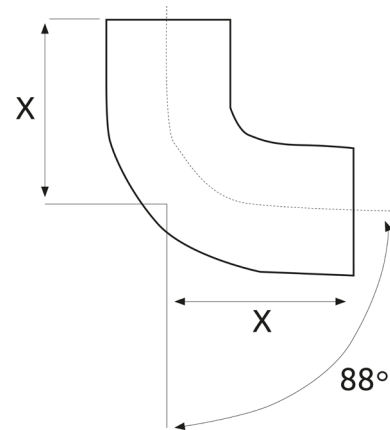
Description	Materials
Core	Grey Cast Iron with lamellar graphite
Coating	Cross-linked red-brown colour resin epoxy coating (40 µm)

Technical Data

- Reaction to fire according to EN 13501: A2. (Non combustible)
- Chemical resistance to wide range: pH2 to pH12
- Tensile strength: ≥ 150 MPa
- Compression strength: ≥ 450 MPa
- Shear strength: ≥ 165 MPa
- Density: approx. 7.2 kg/dm³ (71.5 kN/m³)
- Acoustic rated according to EN 14366:2005
- Low thermal expansion (0.0105 mm/mK)

Applicable Standards

- Pipe and Fittings Standard: EN 877
- Design Standard: DIN 19522
- Quality standard: RAL-GZ 698



Product Codes and Dimensions

STOCK NO.	Nominal Diameter (mm)	X (mm)	Weight (KG)
52071	50	75	0.70
52072	70	90	1.20
52073	100	110	2.10
52074 *	125	125	3.20
52075	150	145	4.30
52076	200	180	8.80

* Special Order / Project Items

Swept Radius Bend

CIS14



Technical Data

- Chemical resistance to wide range: pH2 to pH12
- Tensile strength: ≥ 150 MPa
- Compression strength: ≥ 450 MPa
- Shear strength: ≥ 165 MPa
- Density: approx. 7.2 kg/dm^3 (71.5 kN/m^3)
- Low thermal expansion (0.0105 mm/mK)

Applicable Standards

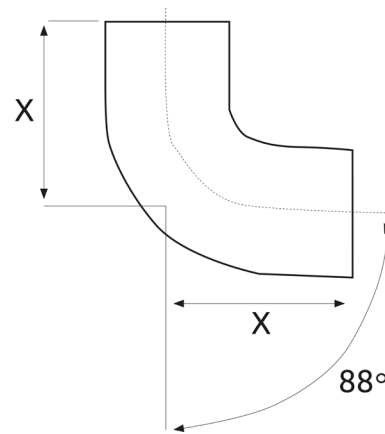
- Pipe and Fittings Standard: EN 877

Features and Benefits

- Excellent acoustic properties
- Fully recyclable
- High durability and abrasion resistance
- Optimum corrosion protection
- Sturdy and dimensionally stable
- Rapid and simple assembly

Material Specifications

Description	Materials
Core	Grey Cast Iron with lamellar graphite
Coating	Cross-linked red-brown colour resin epoxy coating ($40 \mu\text{m}$)



Product Codes and Dimensions

STOCK NO.	Nominal Diameter (mm)	X (mm)	Weight (KG)
52077	100	285	5.04
52078	150	260	7.00

88° Short Double Radius Bend CIS16



Features and Benefits

- Excellent acoustic properties
- Fully recyclable
- High durability and abrasion resistance
- Optimum corrosion protection
- Sturdy and dimensionally stable
- Rapid and simple assembly

Material Specifications

Description	Materials
Core	Grey Cast Iron with lamellar graphite
Coating	Cross-linked red-brown colour resin epoxy coating (40 µm)

Product Codes and Dimensions

STOCK NO.	Nominal Diameter (mm)	X1 (mm)	X2 (mm)	X3 (mm)	Weight (KG)
52079	50	50	100	121	1.00
52080	70	60	120	145	1.80
52081	100	70	140	170	3.20
52082 *	125	80	160	195	4.30
52083	150	90	180	219	6.20

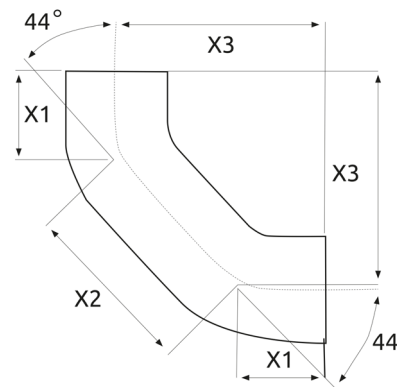
* Special Order / Project Items

Technical Data

- Reaction to fire according to EN 13501: A2. (Non combustible)
- Chemical resistance to wide range: pH2 to pH12
- Tensile strength: ≥ 150 MPa
- Compression strength: ≥ 450 MPa
- Shear strength: ≥ 165 MPa
- Density: approx. 7.2 kg/dm³ (71.5 kN/m³)
- Acoustic rated according to EN 14366:2005
- Low thermal expansion (0.0105 mm/mK)

Applicable Standards

- Pipe and Fittings Standard: EN 877
- Design Standard: DIN 19522
- Quality standard: RAL-GZ 698



Offset CIS24



Features and Benefits

- Excellent acoustic properties
- Fully recyclable
- High durability and abrasion resistance
- Optimum corrosion protection
- Sturdy and dimensionally stable
- Rapid and simple assembly

Material Specifications

Description	Materials
Core	Grey Cast Iron with lamellar graphite
Coating	Cross-linked red-brown colour resin epoxy coating (40 µm)

Product Codes and Dimensions

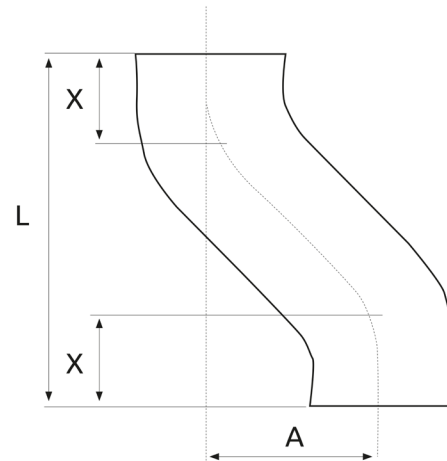
STOCK NO.	Nominal Diameter (mm)	A (mm)	Weight (KG)
52084	100	65	2.50
52085	100	130	3.40

Technical Data

- Reaction to fire according to EN 13501: A2. (Non combustible)
- Chemical resistance to wide range: pH2 to pH12
- Tensile strength: ≥ 150 MPa
- Compression strength: ≥ 450 MPa
- Shear strength: ≥ 165 MPa
- Density: approx. 7.2 kg/dm³ (71.5 kN/m³)
- Acoustic rated according to EN 14366:2005
- Low thermal expansion (0.0105 mm/mK)

Applicable Standards

- Pipe and Fittings Standard: EN 877
- Design Standard: DIN 19522
- Quality standard: RAL-GZ 698



Single Branch 45° CIS32



Features and Benefits

- Excellent acoustic properties
- 100 percent recyclable
- High durability and abrasion resistance
- Optimum corrosion protection
- Not susceptible to temperature changes

Material Specifications

Description	Materials
Core	Grey Cast Iron with lamellar graphite
Coating	Cross-linked red-brown colour resin epoxy coating (40 µm)

Product Codes and Dimensions

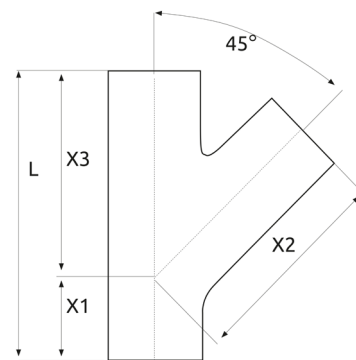
STOCK NO.	Nominal Diameter (mm)	L(mm)	X1(mm)	X2(mm)	X3(mm)	Weight (KG)
52087	50	185	50	135	135	1.40
52088	70	215	55	160	160	2.10
52089	100	275	70	205	205	4.40
52090 *	125	320	80	240	240	6.10
52091	150	355	90	265	265	8.30
52092	200	455	115	340	340	17.20
52223 *	250	560	130	430	430	31.50
52224 *	300	660	155	505	505	48.20
52093	70 x 50	190	40	150	150	1.60
52094	100 x 50	200	35	165	165	2.30
52095	100 x 70	235	50	185	185	3.00
52096 *	125 x 50	205	20	185	185	3.20
52097 *	125 x 70	240	40	200	200	4.00
52098 *	125 x 100	280	60	220	220	5.00
52099	150 x 70	245	30	215	215	5.30
52100	150 x 100	295	55	240	240	6.50
52101 *	150 x 125	325	70	255	255	7.20
52103	200 x 100	305	40	265	265	10.00
52104 *	200 x 125	335	55	280	280	11.60
52105	200 x 150	375	75	300	300	13.30
52225 *	250 x 100	325	15	310	310	13.60
52226 *	250 x 125	370	35	335	335	16.30
52227 *	250 x 200	475	90	385	385	20.40
52228 *	300 x 125	375	15	360	360	21.00
52229 *	300 x 200	485	70	440	415	30.00
52230 *	300 x 250	580	115	465	465	36.90

Technical Data

- Reaction to fire according to EN 13501: A2. (Non combustible)
- Chemical resistance to wide range: pH2 to pH12
- Tensile strength: ≥ 150 MPa
- Compression strength: ≥ 450 MPa
- Shear strength: ≥ 165 MPa
- Density: approx. 7.2 kg/dm³ (71.5 kN/m³)
- Acoustic rated according to EN 14366:2005
- Low thermal expansion (0.0105 mm/mK)

Applicable Standards

- Pipe and Fittings Standard: EN 877
- Design Standard: DIN 19522
- Quality standard: RAL-GZ 698



Single Branches 68°

CIS40



Features and Benefits

- Excellent acoustic properties
- Fully recyclable
- High durability and abrasion resistance
- Optimum corrosion protection
- Sturdy and dimensionally stable
- Rapid and simple assembly

Material Specifications

Description	Materials
Core	Grey Cast Iron with lamellar graphite
Coating	Cross-linked red-brown colour resin epoxy coating (40 µm)

Product Codes and Dimensions

STOCK NO.	Nominal Diameter (mm)	L(mm)	X1(mm)	X2(mm)	X3(mm)	Weight (KG)
52106	50	135	55	80	80	0.90
52107	70	170	70	100	100	1.20
52108	100	215	85	130	130	2.90
52110	70 x 50	145	55	90	90	1.00
52111	100 x 50	155	55	110	100	1.90
52112	100 x 70	180	70	120	110	2.40
52113 *	125 x 100	225	85	145	140	3.90

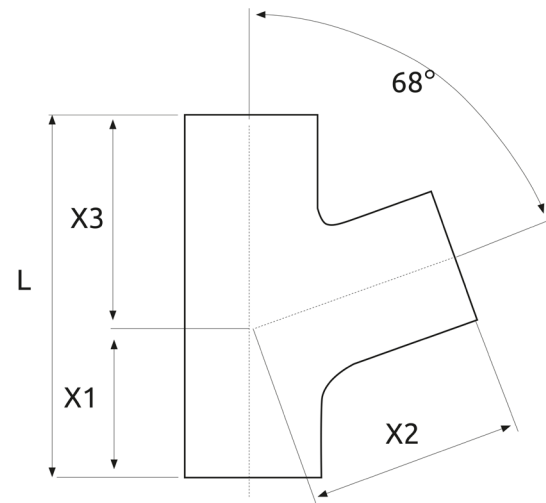
* Special Order / Project Items

Technical Data

- Reaction to fire according to EN 13501: A2. (Non combustible)
- Chemical resistance to wide range: pH2 to pH12
- Tensile strength: ≥ 150 MPa
- Compression strength: ≥ 450 MPa
- Shear strength: ≥ 165 MPa
- Density: approx. 7.2 kg/dm³ (71.5 kN/m³)
- Acoustic rated according to EN 14366:2005
- Low thermal expansion (0.0105 mm/mK)

Applicable Standards

- Pipe and Fittings Standard: EN 877
- Design Standard: DIN 19522
- Quality standard: RAL-GZ 698



Single Branch 88°

CIS30



Features and Benefits

- Excellent acoustic properties
- Fully recyclable
- High durability and abrasion resistance
- Optimum corrosion protection
- Sturdy and dimensionally stable
- Rapid and simple assembly

Material Specifications

Description	Materials
Core	Grey Cast Iron with lamellar graphite
Coating	Cross-linked red-brown colour resin epoxy coating (40 µm)

Product Codes and Dimensions

STOCK NO.	Nominal Diameter (mm)	L(mm)	X1(mm)	X2(mm)	X3(mm)	Weight (KG)
52118	50	145	79	80	66	1.10
52119	70	180	97	95	83	1.70
52120	100	220	115	115	105	2.90
52121 *	125	260	137	135	123	4.60
52122	150	300	158	155	142	6.90
52123	70 x 50	155	83	90	72	1.30
52124	100 x 50	170	94	105	76	2.10
52125	100 x 70	190	102	110	88	2.40
52126 *	125 x 50	180	98	120	82	3.00
52127 *	125 x 70	200	107	125	93	3.60
52128 *	125 x 100	235	125	130	110	4.00
52117	150 x 50	200	100	140	100	4.40
52129	150 x 100	245	130	145	115	4.70
52130 *	150 x 125	275	147	150	128	6.20

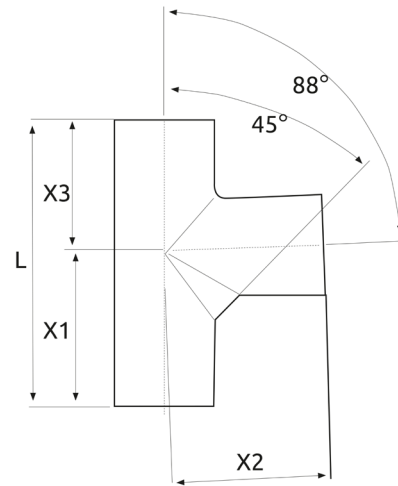
* Special Order / Project Items

Technical Data

- Reaction to fire according to EN 13501: A2. (Non combustible)
- Chemical resistance to wide range: pH2 to pH12
- Tensile strength: ≥ 150 MPa
- Compression strength: ≥ 450 MPa
- Shear strength: ≥ 165 MPa
- Density: approx. 7.2 kg/dm³ (71.5 kN/m³)
- Acoustic rated according to EN 14366:2005
- Low thermal expansion (0.0105 mm/mK)

Applicable Standards

- Pipe and Fittings Standard: EN 877
- Design Standard: DIN 19522
- Quality standard: RAL-GZ 698



Swept Entry Branch

CIS37



Technical Data

- Chemical resistance to wide range: pH2 to pH12
- Tensile strength: ≥ 150 MPa
- Compression strength: ≥ 450 MPa
- Shear strength: ≥ 165 MPa
- Density: approx. 7.2 kg/dm^3 (71.5 kN/m^3)
- Low thermal expansion (0.0105 mm/mK)

Applicable Standards

- Pipe & Fittings Standard: EN 877

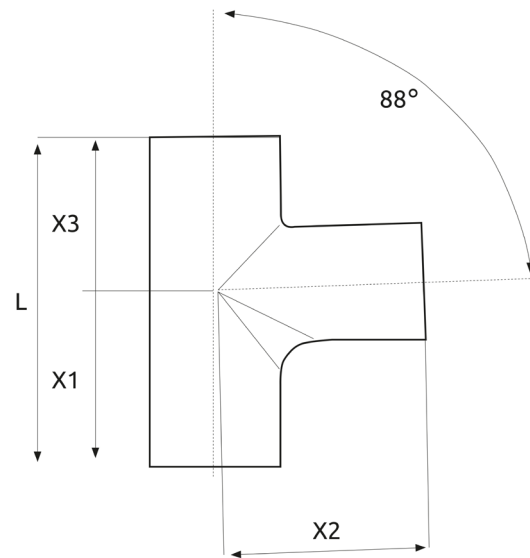


Features and Benefits

- Excellent acoustic properties
- Fully recyclable
- High durability and abrasion resistance
- Optimum corrosion protection
- Sturdy and dimensionally stable
- Rapid and simple assembly

Material Specifications

Description	Materials
Core	Grey Cast Iron with lamellar graphite
Coating	Cross-linked red-brown colour resin epoxy coating ($40 \mu\text{m}$)



Product Codes and Dimensions

STOCK NO.	Nominal Diameter (mm)	L(mm)	X1(mm)	X2(mm)	X3(mm)	Weight (KG)
52207	100	275	170	150	105	4.03

Double Branches

45° / 68° / 88°

CIS39



Features and Benefits

- Excellent acoustic properties
- Fully recyclable
- High durability and abrasion resistance
- Optimum corrosion protection
- Sturdy and dimensionally stable
- Rapid and simple assembly

Material Specifications

Description	Materials
Core	Grey Cast Iron with lamellar graphite
Coating	Cross-linked red-brown colour resin epoxy coating (40 µm)

Product Codes and Dimensions

STOCK NO.	Nominal Diameter (mm)	Angle on Branch	L(mm)	X1(mm)	X2(mm)	X3(mm)	Weight (KG)
52131	100	45°	215	70	130	130	3.80
52132	150 x 100 x 100	45°	300	60	240	240	6.60
52133	100	68°	215	85	130	130	3.60
52134	100 x 50 x 50	88°	180	100	80	105	2.20
52135	100 x 70 x 70	88°	190	102	88	110	3.00
52136	100	88°	230	120	120	120	3.90
52138 *	125 x 100 x 100	88°	245	130	115	135	5.00
52137	150 x 100 x 100	88°	245	130	115	145	7.10

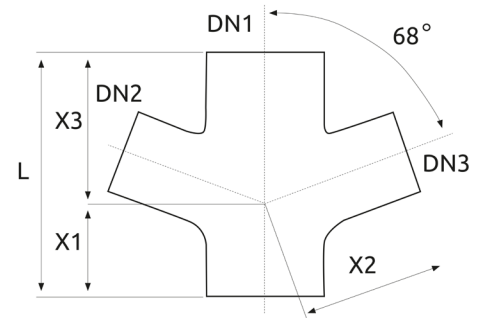
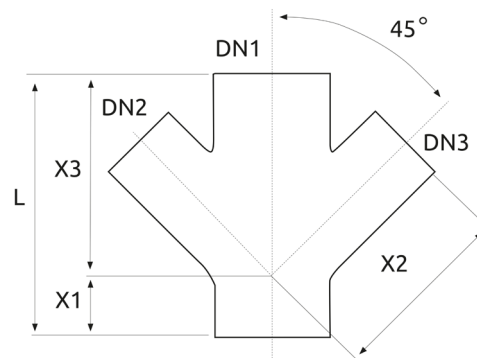
* Special Order / Project Items

Technical Data

- Reaction to fire according to EN 13501: A2. (Non combustible)
- Chemical resistance to wide range: pH2 to pH12
- Tensile strength: ≥ 150 MPa
- Compression strength: ≥ 450 MPa
- Shear strength: ≥ 165 MPa
- Density: approx. 7.2 kg/dm³ (71.5 kN/m³)
- Acoustic rated according to EN 14366:2005
- Low thermal expansion (0.0105 mm/mK)

Applicable Standards

- Pipe and Fittings Standard: EN 877



Access Pipe - Round Door

CIS41



Technical Data

- Reaction to fire according to EN 13501: A2. (Non combustible)
- Chemical resistance to wide range: pH2 to pH12
- Tensile strength: ≥ 150 MPa
- Compression strength: ≥ 450 MPa
- Shear strength: ≥ 165 MPa
- Density: approx. 7.2 kg/dm^3 (71.5 kN/m^3)
- Acoustic rated according to EN 14366:2005
- Low thermal expansion (0.0105 mm/mK)

Applicable Standards

- Pipe and Fittings Standard: EN 877
- Design Standard: DIN 19522
- Quality standard: RAL-GZ 698

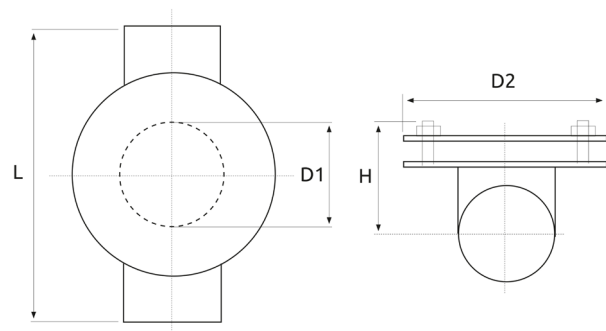


Features and Benefits

- Excellent acoustic properties
- Fully recyclable
- High durability and abrasion resistance
- Optimum corrosion protection
- Sturdy and dimensionally stable
- Rapid and simple assembly

Material Specifications

Description	Materials
Core	Grey Cast Iron with lamellar graphite
Coating	Cross-linked red-brown colour resin epoxy coating ($40 \mu\text{m}$)



Product Codes and Dimensions

STOCK NO.	Nominal Diameter (mm)	L(mm)	H(mm)	D1(mm)	D2(mm)	Weight (KG)
52143	50	190	59	53	105	2.30
52144	70	210	69	73	125	2.78
52145	100	260	84	104	159	4.80

Access Pipe - Oblong Door CIS42



Features and Benefits

- Excellent acoustic properties
- Fully recyclable
- High durability and abrasion resistance
- Optimum corrosion protection
- Sturdy and dimensionally stable
- Rapid and simple assembly

Material Specifications

Description	Materials
Pipe & Door	Grey Cast Iron with lamellar graphite
Coating	Cross-linked red-brown colour resin epoxy coating (40 µm)
Gasket	EPDM
Bolt & Nut	Steel BZP

Product Codes and Dimensions

STOCK NO.	Nominal Diameter (mm)	L(mm)	H(mm)	A(mm)	F(mm)	G (mm)	D (mm)	Weight (KG)
52146	100	340	83	200	230	160	100	7.30
52147 *	125	370	101	225	255	190	125	10.00
52148	150	395	112	250	280	215	150	12.75
52149	200	465	137	300	330	265	200	25.20
52231 *	250	570	170	350	426	330	259	36.00
52232 *	300	640	195	400	476	380	309	51.00

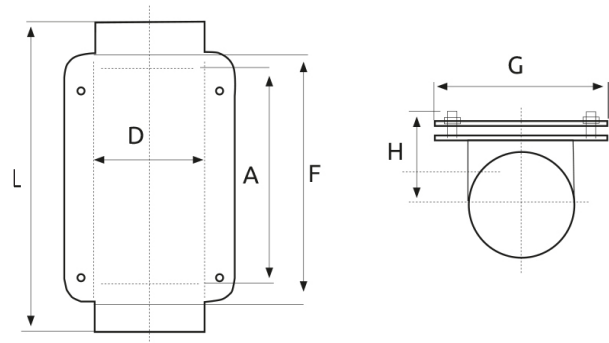
* Special Order / Project Items

Technical Data

- Reaction to fire according to EN 13501: A2. (Non combustible)
- Chemical resistance to wide range: pH2 to pH12
- Tensile strength: ≥ 150 MPa
- Compression strength: ≥ 450 MPa
- Shear strength: ≥ 165 MPa
- Density: approx. 7.2 kg/dm³ (71.5 kN/m³)
- Acoustic rated according to EN 14366:2005
- Low thermal expansion (0.0105 mm/mK)

Applicable Standards

- Pipe and Fittings Standard: EN 877
- Design Standard: DIN 19522
- Quality standard: RAL-GZ 698



Access Bend CIS23



Features and Benefits

- Excellent acoustic properties
- Fully recyclable
- High durability and abrasion resistance
- Optimum corrosion protection
- Sturdy and dimensionally stable
- Rapid and simple assembly

Material Specifications

Description	Materials
Core	Grey Cast Iron with lamellar graphite
Coating	Cross-linked red-brown colour resin epoxy coating (40 µm)
Door Fastening	Steel BZP

Product Codes and Dimensions

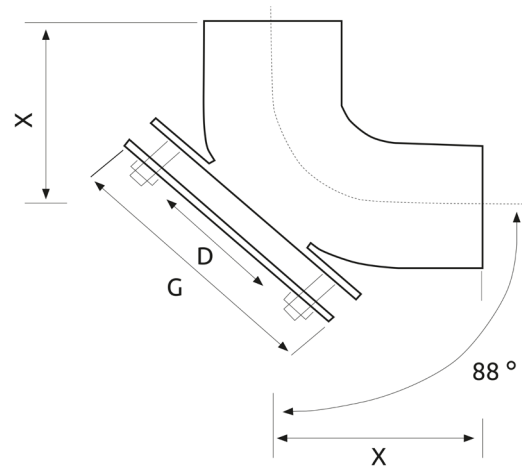
STOCK NO.	Nominal Diameter (mm)	L (mm)	X (mm)	G (mm)	D(mm)	Weight (KG)
52150	100		115	125	100	2.87

Technical Data

- Chemical resistance to wide range: pH2 to pH12
- Tensile strength: ≥ 150 MPa
- Compression strength: ≥ 450 MPa
- Shear strength: ≥ 165 MPa
- Density: approx. 7.2 kg/dm³ (71.5 kN/m³)
- Low thermal expansion (0.0105 mm/mK)
- Use 17mm wrench to tighten/release door bolts

Applicable Standards

- Pipe and Fittings Standard: EN 877



Access Swept Branch CIS35



Features and Benefits

- Excellent acoustic properties
- Fully recyclable
- High durability and abrasion resistance
- Optimum corrosion protection
- Sturdy and dimensionally stable
- Rapid and simple assembly

Material Specifications

Description	Materials
Core	Grey Cast Iron with lamellar graphite
Coating	Cross-linked red-brown colour resin epoxy coating (40 µm)

Product Codes and Dimensions

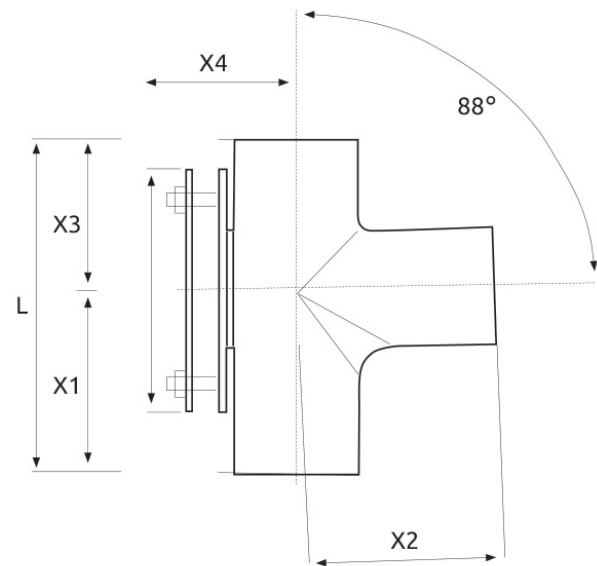
STOCK NO.	Nominal Diameter (mm)	L(mm)	X1(mm)	X2(mm)	X3(mm)	X4 (mm)	Weight (KG)
52153	100	275	160	150	115	80	4.10

Technical Data

- Chemical resistance to wide range: pH2 to pH12
- Tensile strength: ≥ 150 MPa
- Compression strength: ≥ 450 MPa
- Shear strength: ≥ 165 MPa
- Density: approx. 7.2 kg/dm³ (71.5 kN/m³)
- Low thermal expansion (0.0105 mm/mK)
- Use 17mm wrench to tighten/release door bolts

Applicable Standards

- Pipe & Fittings Standard: EN 877



Single Boss Pipe CIS62



Technical Data

- Chemical resistance to wide range: pH2 to pH12
- Tensile strength: ≥ 150 MPa
- Compression strength: ≥ 450 MPa
- Shear strength: ≥ 165 MPa
- Density: approx. 7.2 kg/dm^3 (71.5 kN/m^3)
- Low thermal expansion (0.0105 mm/mK)

Applicable Standards

- Pipe and Fittings Standard: EN 877

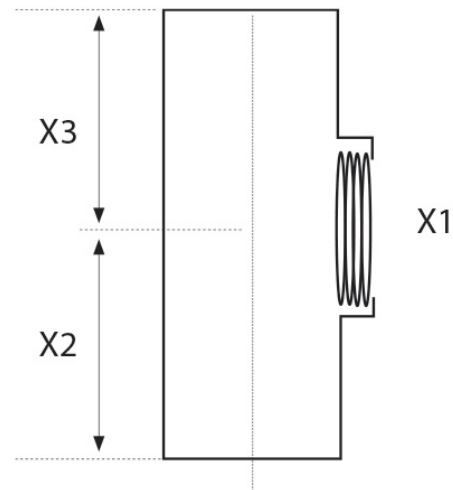


Features and Benefits

- Excellent acoustic properties
- Fully recyclable
- High durability and abrasion resistance
- Optimum corrosion protection
- Sturdy and dimensionally stable
- Rapid and simple assembly

Material Specifications

Description	Materials
Core	Grey Cast Iron with lamellar graphite
Coating	Cross-linked red-brown colour resin epoxy coating ($40 \mu\text{m}$)



Product Codes and Dimensions

STOCK NO.	Nominal Dimension (mm)	L (mm)	Outlet (BSP)	X1 (mm)	X2 (mm)	Weight (Kg)
52154	50	150	2"	75	75	0.90
52156	100	150	2"	75	75	2.00

Eccentric Reducer

CIS04



Features and Benefits

- Excellent acoustic properties
- Fully recyclable
- High durability and abrasion resistance
- Optimum corrosion protection
- Sturdy and dimensionally stable
- Rapid and simple assembly

Material Specification

Description	Materials
Core	Grey Cast Iron with lamellar graphite
Coating	Cross-linked red-brown colour resin epoxy coating (40 µm)

Product Codes and Dimensions

STOCK NO.	Nominal Diameter (mm)	L (mm)	A (mm)	Weight (KG)
52161	70 x 50	75	10	0.70
52162	100 x 50	80	25	0.90
52163	100 x 70	85	16	0.90
52164 *	125 x 50	85	38.5	1.40
52165 *	125 x 70	90	28.5	1.60
52166 *	125 x 100	95	12.5	1.80
52168	150 x 70	100	41	2.20
52169	150 x 100	105	25	2.40
52170 *	150 x 125	110	12.5	2.60
52171	200 x 100	115	50	4.10
52172 *	200 x 125	120	37.5	4.10
52173	200 x 150	125	25	4.30
52237 *	250 x 150	140	57	6.80
52238 *	250 x 200	145	32	7.00
52239 *	300 x 250	170	26	12.40

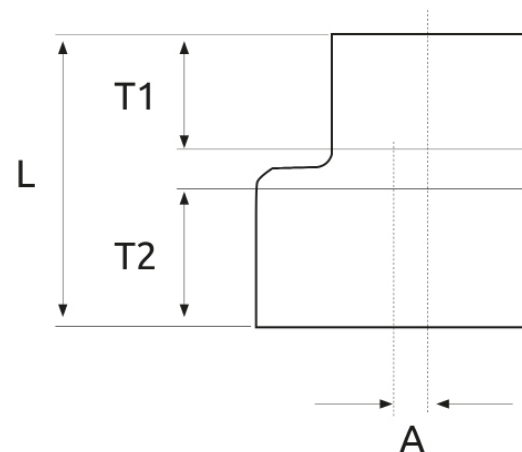
* Special Order / Project Items

Technical Data

- Reaction to fire according to EN 13501: A2. (Non combustible)
- Chemical resistance to wide range: pH2 to pH12
- Tensile strength: ≥ 150 MPa
- Compression strength: $\square 450$ MPa
- Shear strength: ≥ 165 MPa
- Density: approx. 7.2 kg/dm³ (71.5 kN/m³)
- Acoustic rated according to EN 14366:2005
- Low thermal expansion (0.0105 mm/mK)

Applicable Standards

- Pipe and Fittings Standard: EN 877
- Design Standard: DIN 19522
- Quality standard: RAL-GZ 698



End Cap- Blank End CIS56



Technical Data

- Reaction to fire according to EN 13501: A2. (Non combustible)
- Chemical resistance to wide range: pH2 to pH12
- Tensile strength: ≥ 150 MPa
- Compression strength: ≥ 450 MPa
- Shear strength: ≥ 165 MPa
- Density: approx. 7.2 kg/dm³ (71.5 kN/m³)
- Acoustic rated according to EN 14366:2005
- Low thermal expansion (0.0105 mm/mK)

Applicable Standards

- Pipe and Fittings Standard: EN 877
- Design Standard: DIN 19522
- Quality standard: RAL-GZ 698



Features Benefits

- Excellent acoustic properties
- Fully recyclable
- High durability and abrasion resistance
- Optimum corrosion protection
- Sturdy and dimensionally stable
- Rapid and simple assembly

Material Specifications

Description	Materials
Core	Grey Cast Iron with lamellar graphite
Coating	Cross-linked red-brown colour resin epoxy coating (40 μ m)

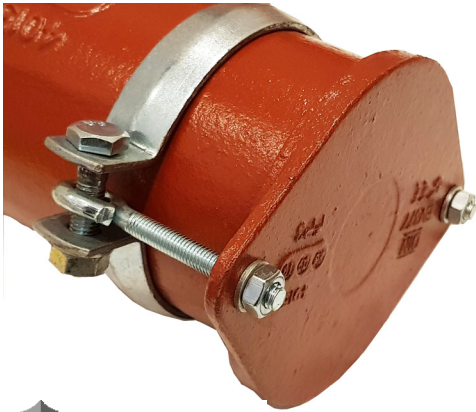


Product Codes and Dimensions

STOCK NO.	Nominal Diameter (mm)	L(mm)	Weight (KG)
52174	50mm	30	0.30
52175	70mm	35	0.40
52176	100mm	40	0.75
52177 *	125mm	45	1.10
52178	150mm	50	1.70
52179	200mm	60	3.10
52240 *	250mm	70	6.00
52241 *	300mm	80	9.50

* Special Order / Project Items

End Cap- Quick Release CIS58



Technical Data

- Chemical resistance to wide range: pH2 to pH12
- Heavy Duty Releasable End Cap
- Use 17mm wrench to tighten clip
- Use 14mm wrench to tighten cap bolts

Applicable Standards

- Pipe and Fittings Standard: EN 877

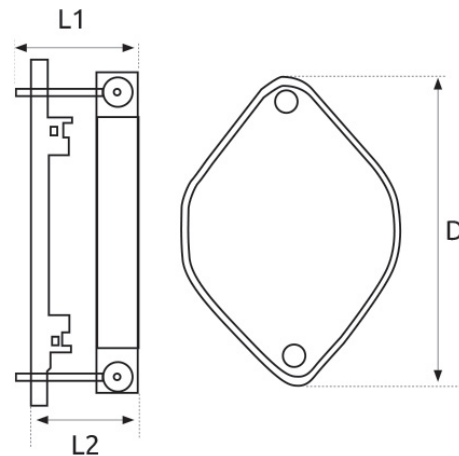


Features and Benefits

- Excellent acoustic properties
- Fully recyclable
- High durability and abrasion resistance
- Optimum corrosion protection
- Sturdy and dimensionally stable
- Easy access for drain rodding or inspection

Material Specifications

Description	Materials
Core	Grey Cast Iron with lamellar graphite
Coating	Cross-linked red-brown colour resin epoxy coating (40 µm)
Clip / Bolt	Steel BZP



Product Codes and Dimensions

STOCK NO.	Nominal Diameter (mm)	L1 (mm)	L2 (mm)	D (mm)	Weight (KG)
52180	100	86	60	175	1.27
52182	150	86	60	205	2.23

Branch Trap

CIS73



Features and Benefits

- Excellent acoustic properties
- Fully recyclable
- High durability and abrasion resistance
- Optimum corrosion protection
- Sturdy and dimensionally stable
- Rapid and simple assembly

Material Specifications

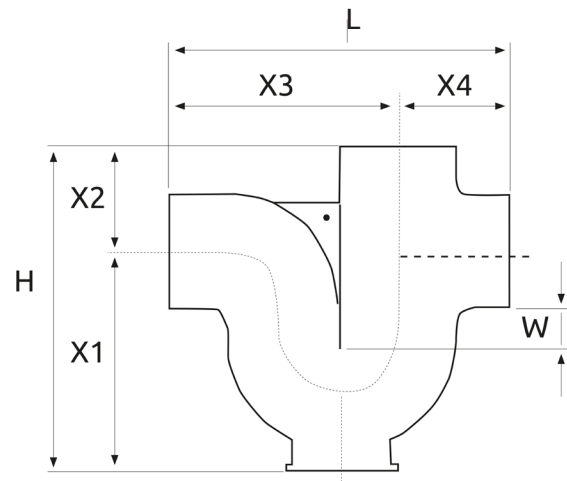
Description	Materials
Core	Grey Cast Iron with lamellar graphite
Coating	Cross-linked red-brown colour resin epoxy coating (40 µm)

Technical Data

- Reaction to fire according to EN 13501: A2. (Non combustible)
- Chemical resistance to wide range: pH2 to pH12
- Tensile strength: ≥ 150 MPa
- Compression strength: ≥ 450 MPa
- Shear strength: ≥ 165 MPa
- Density: approx. 7.2 kg/dm³ (71.5 kN/m³)
- Acoustic rated according to EN 14366:2005
- Low thermal expansion (0.0105 mm/mK)

Applicable Standards

- Pipe and Fittings Standard: EN 877
- Design Standard: DIN 19522
- Quality standard: RAL-GZ 698



Product Codes and Dimensions

STOCK NO.	Nominal Dimension (mm)	L (mm)	H (mm)	X1 (mm)	X2 (mm)	X3 (mm)	X4 (mm)	W (mm)	Weight (Kg)
52189	50	190	250	182	68	122	68	60	2.90
52190	70	265	293	200	93	172	93	60	5.80
52191	100	326	392	282	110	215	110	100	9.50
52192 *	125	390	446	316	130	260	130	100	13.0
52193	150	470	493	248	145	325	145	100	21.80
52194	200	600	600	420	180	400	200	100	38.40

* Special Order / Project Items