

# Copper Press GAS Coupler (M-Profile)

## MGP 01



### Features & Benefits

- Durable and secure leak proof joint
- Braze free, permanent joint - no hot works required
- Huge time and resource savings
- 25 Year warranty
- Yellow plastic film which will fall off when crimped for easy identification of pressed joint
- 2 point press
- Dust covers keep O-ring clean prior to assembly

### Material Specifications

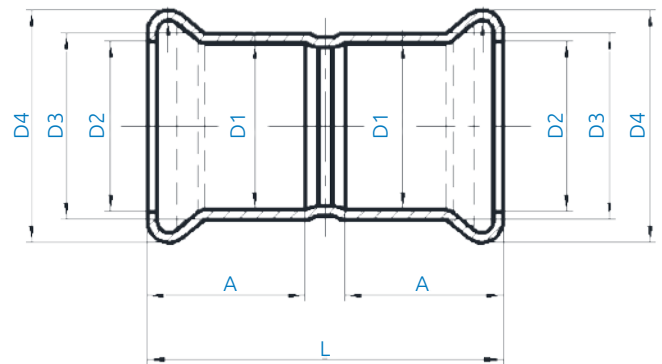
NO	Description	Materials
1	Body	Cu-DHP (CW024A)
2	Crimp indicator film	PVC, Ochre Yellow
3	O-Ring	HNBR
4	Dust Cap	PE

### Technical Data

- Max Working Pressure 5 Bar (External) / 1 Bar (Internal) @ 70°C
- "M" profile press jaws or slings
- Approved tools include Novapress, REMS, Rothenberger and Ridgid
- Suitable for above ground 2nd and 3rd family gases to EN437

### Applicable Standards

- For use with type TX copper tubing conformant to EN 1057



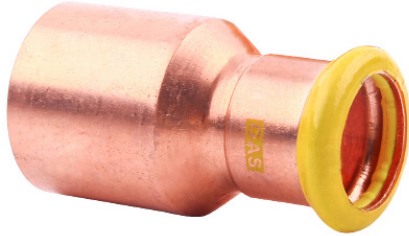
### Product Codes and Dimensions

STOCK NO.	D1 (mm)	D2 (mm)	D3 (mm)	D4 (mm)	A (mm)	L (mm)
29702	15	15.6	18	23	19	44
29703	22	22.8	25	31.3	20	46
29704	28	28.8	31	37.4	22	50
29705	35	35.7	38.3	44.7	25	58
29706	42	42.8	45.3	53.5	29	67
29707	54	54.8	57.3	65.3	34	80
29708	67	69.1	71.7	82.6	48	107
29709	76	78.6	81.1	94.4	49	108
29710	108	110.9	113.8	132.1	65	147

# Copper Press GAS Fitting Reducer (M-Profile)



## MGP 03



### Features & Benefits

- Durable and secure leak proof joint
- Braze free, permanent joint - no hot works required
- Huge time and resource savings
- 25 Year warranty
- Yellow plastic film which will fall off when crimped for easy identification of pressed joint
- 2 point press
- Dust covers keep O-ring clean prior to assembly

### Material Specifications

NO	Description	Materials
1	Body	Cu-DHP (CW024A)
2	Crimp indicator film	PVC, Ochre Yellow
3	O-Ring	HNBR
4	Dust Cap	PE

### Product Codes and Dimensions

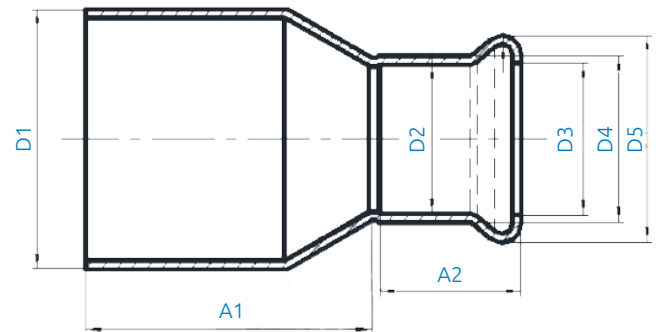
STOCK NO.	D1 (mm)	D2 (mm)	D3 (mm)	D4 (mm)	D5 (mm)	A1 (mm)	A2 (mm)
29679	22	15	15.6	18	23	31.5	19
29680	28	15	15.6	18	23	36.5	19
29681	28	22	22.8	25	31.3	32	20
29682	35	22	22.8	25	31.3	43	20
29683	35	28	28.8	31	37.4	40	20
29685	42	28	28.8	31	37.4	46	20
29686	42	35	35.7	38.3	44.7	44	25
29687	54	28	28.8	31	37.4	61	20
29688	54	35	35.7	38.3	44.7	58	25
29689	54	42	42.8	45.3	53.5	53	29
29692	67	42	42.8	45.3	53.5	78	29
29693	67	54	54.8	57.3	65.3	70	34
29696	76	54	54.8	57.3	65.3	76	-
29697	76	67	69.1	71.7	82.6	64	49
29699	108	54	54.8	57.3	65.3	113	-
29701	108	76	78.6	81.1	94.4	98	-

### Technical Data

- Max Working Pressure 5 Bar (External) / 1 Bar (Internal) @ 70°C
- "M" profile press jaws or slings
- Approved tools include Novapress, REMS, Rothenberger and Ridgid
- Suitable for above ground 2nd and 3rd family gases to EN437

### Applicable Standards

- For use with type TX copper tubing conformant to EN 1057



# Copper Press GAS F x F 90° Bend (M-Profile) MGP 10



## Technical Data

- Max Working Pressure 5 Bar (External) / 1 Bar (Internal) @ 70°C
- "M" profile press jaws or slings
- Approved tools include Novapress, REMS, Rothenberger and Ridgid
- Suitable for above ground 2nd and 3rd family gases to EN437

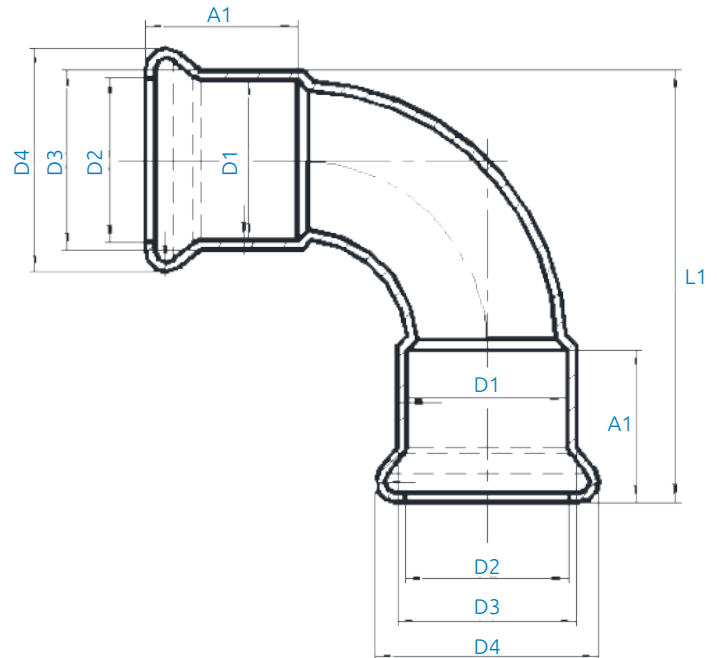
## Applicable Standards

- For use with type TX copper tubing conformant to EN 1057



## Features & Benefits

- Durable and secure leak proof joint
- Braze free, permanent joint - no hot works required
- Huge time and resource savings
- 25 Year warranty
- Yellow plastic film which will fall off when crimped for easy identification of pressed joint
- 2 point press
- Dust covers keep O-ring clean prior to assembly



## Material Specifications

NO	Description	Materials
1	Body	Cu-DHP (CW024A)
2	Crimp indicator film	PVC, Ochre Yellow
3	O-Ring	HNBR
4	Dust Cap	PE

## Product Codes and Dimensions

STOCK NO.	D1 (mm)	D2 (mm)	D3 (mm)	D4 (mm)	A1 (mm)	L1 (mm)
29609	15	15.6	18	23	19	47
29610	22	22.8	25	31.3	20	60
29611	28	28.8	31	37.4	22	73
29612	35	35.7	38.3	44.7	25	84
29613	42	42.8	45.3	53.5	29	99
29614	54	54.8	57.3	65.3	34	126
29615	67	69.1	71.7	82.6	48	163
29616	76	78.6	81.1	94.4	49	186
29617	108	110.9	113.8	132.1	65	256

# Copper Press GAS

## F x F 45° Bend (M-Profile)

### MGP 11



#### Technical Data

- Max Working Pressure 5 Bar (External) / 1 Bar (Internal) @ 70°C
- "M" profile press jaws or slings
- Approved tools include Novapress, REMS, Rothenberger and Ridgid
- Suitable for above ground 2nd and 3rd family gases to EN437

#### Applicable Standards

- For use with type TX copper tubing conformant to EN 1057

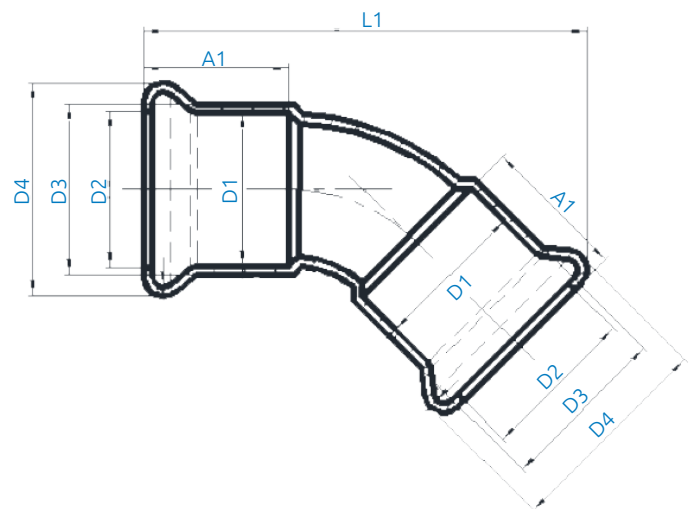


#### Features & Benefits

- Durable and secure leak proof joint
- Braze free, permanent joint - no hot works required
- Huge time and resource savings
- 25 Year warranty
- Yellow plastic film which will fall off when crimped for easy identification of pressed joint
- 2 point press
- Dust covers keep O-ring clean prior to assembly

#### Material Specifications

NO	Description	Materials
1	Body	Cu-DHP (CW024A)
2	Crimp indicator film	PVC, Ochre Yellow
3	O-Ring	HNBR
4	Dust Cap	PE



#### Product Codes and Dimensions

STOCK NO.	D1 (mm)	D2 (mm)	D3 (mm)	D4 (mm)	A1 (mm)	L1 (mm)
29627	15	15.6	18	23	19	54
29628	22	22.8	25	31.3	20	64
29629	28	28.8	31	37.4	22	74
29630	35	35.7	38.3	44.7	25	82
29631	42	42.8	45.3	53.5	29	97
29632	54	54.8	57.3	65.3	34	118
29633	67	69.1	71.7	82.6	48	169
29634	76	78.6	81.1	94.4	49	-
29635	108	110.9	113.8	132.1	65	-

# Copper Press GAS M x F 90° Bend (M-Profile)



## MGP 12



### Features & Benefits

- Durable and secure leak proof joint
- Braze free, permanent joint - no hot works required
- Huge time and resource savings
- 25 Year warranty
- Yellow plastic film which will fall off when crimped for easy identification of pressed joint
- 2 point press
- Dust covers keep O-ring clean prior to assembly

### Material Specifications

NO	Description	Materials
1	Body	Cu-DHP (CW024A)
2	Crimp indicator film	PVC, Ochre Yellow
3	O-Ring	HNBR
4	Dust Cap	PE

### Product Codes and Dimensions

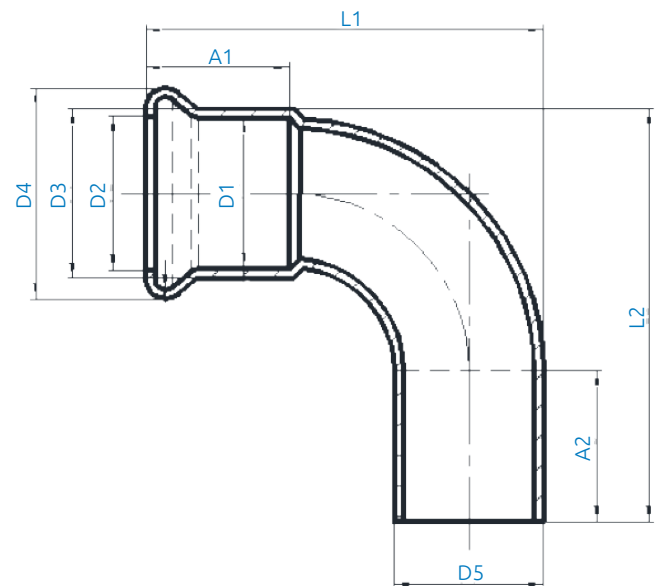
STOCK NO.	D1	D2	D3	D4	D5	A1	A2	L1	L2
29600	15	15.6	18	23	15	19	22	44.5	59
29601	22	22.8	25	31.3	22	20	23	57.5	71
29602	28	28.8	31	37.4	28	20	25	70	79.5
29603	35	35.7	38.3	44.7	35	28	25	81.5	92
29604	42	42.8	45.3	53.5	42	29	32	96	107.5
29605	54	54.8	57.3	65.3	54	34	37	123	133.5
29606	67	69.1	71.7	82.6	67	49	52	158	179
29607	76	78.6	81.1	94.4	76	49	54	184	201
29608	108	110.9	113.8	132.1	108	65	71	253	266

### Technical Data

- Max Working Pressure 5 Bar (External) / 1 Bar (Internal) @ 70°C
- "M" profile press jaws or slings
- Approved tools include Novapress, REMS, Rothenberger and Ridgid
- Suitable for above ground 2nd and 3rd family gases to EN437

### Applicable Standards

- For use with type TX copper tubing conformant to EN 1057



# Copper Gas Press - MxF 45° Elbows



## Technical Data

- Max Working Pressure 5 Bar (External) / 1 Bar (Internal) @ 70°C
- "M" profile press jaws or slings
- Approved tools include Novapress, REMS, Rothenberger and Ridgid
- Suitable for above ground 2nd and 3rd family gases to EN437

## Applicable Standards

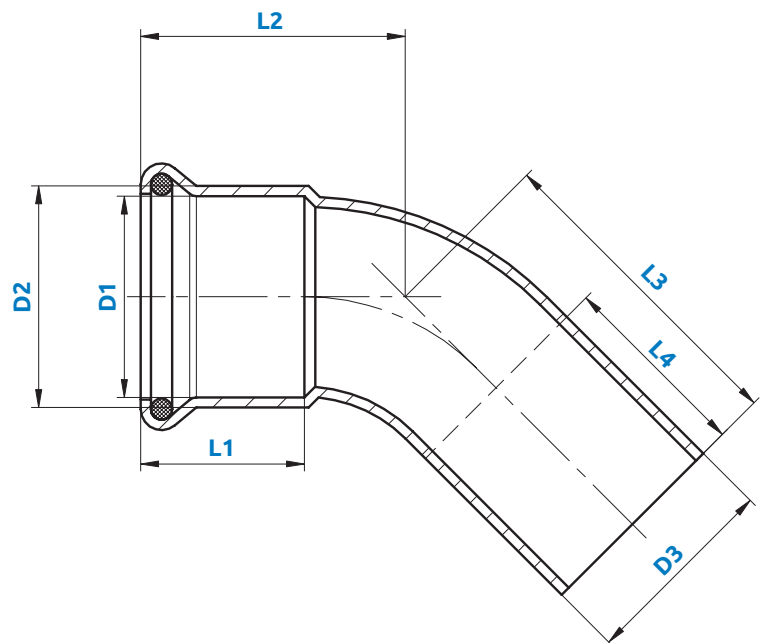
- For use with type TX copper tubing conformant to EN 1057

## Features and Benefits

- Durable and secure leak proof joint
- Braze free, permanent joint - no hot works required
- Huge time and resource savings
- 25 Year warranty
- Yellow plastic film which will fall off when crimped for easy identification of pressed joint
- 2 point press
- Dust covers keep O-ring clean prior to assembly

## Material Specifications

No.	Description	Materials
1	Body	Cu-DHP (CW024A)
2	Crimp indicator film	PVC, Ochre Yellow
3	O-Ring	HNBR
4	Dust Cap	PE



## Product Codes and Dimensions

STOCK NO.	D1	D2	D3	L1	L2	L3	L4
29618	15	18	15	18	26	37	23
29619	22	25	22	19	32	44	23
29620	28	31	28	21	37	28	23
29621	35	38	35	24	40	49	29
29622	42	45	42	28	47	57	33
29623	54	57	54	33	57	68	38
29624	67	72	67	47	86	100	53
29625	76	81	76	47	92	105	55
29626	108	114	108	64	127	134	72

# Copper Press GAS Equal Tee (M-Profile) MGP 30



## Technical Data

- Max Working Pressure 5 Bar (External) / 1 Bar (Internal) @ 70°C
- "M" profile press jaws or slings
- Approved tools include Novapress, REMS, Rothenberger and Ridgid
- Suitable for above ground 2nd and 3rd family gases to EN437

## Applicable Standards

- For use with type TX copper tubing conformant to EN 1057

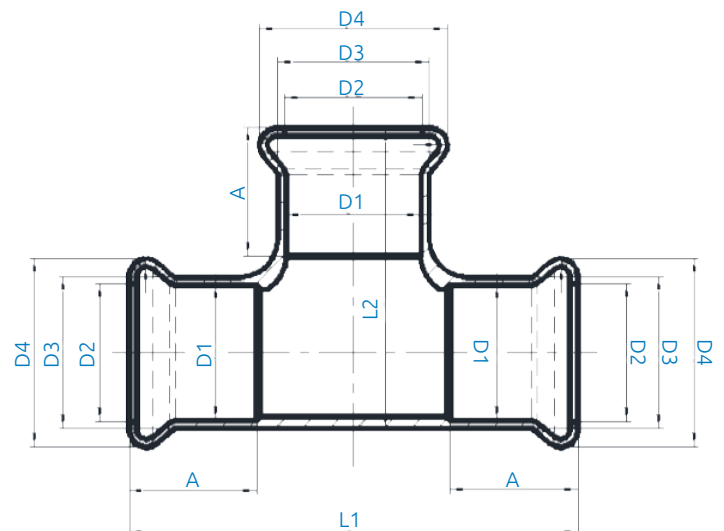


## Features & Benefits

- Durable and secure leak proof joint
- Braze free, permanent joint - no hot works required
- Huge time and resource savings
- 25 Year warranty
- Yellow plastic film which will fall off when crimped for easy identification of pressed joint
- 2 point press
- Dust covers keep O-ring clean prior to assembly

## Material Specifications

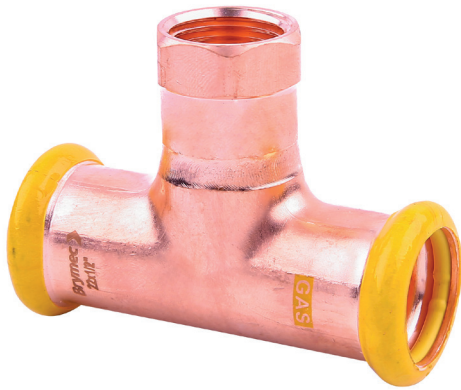
NO	Description	Materials
1	Body	Cu-DHP (CW024A)
2	Crimp indicator film	PVC, Ochre Yellow
3	O-Ring	HNBR
4	Dust Cap	PE



## Product Codes and Dimensions

STOCK NO.	D1 (mm)	D2 (mm)	D3 (mm)	D4 (mm)	A (mm)	L1 (mm)	L2 (mm)
29636	15	15.6	18	23	19	64	41
29637	22	22.8	25	31.3	20	74	49.5
29638	28	28.8	31	37.4	22	84	57
29639	35	35.7	38.3	44.7	25	100	69
29640	42	42.8	45.3	53.5	29	116	86
29641	54	54.8	57.3	65.3	34	139	98
29642	67	69.1	71.7	82.6	48	189	133
29643	76	78.6	81.1	94.4	49	208	139.5
29644	108	110.9	113.8	132.1	65	273	196

# Copper Press GAS Female Branch Reducing Tee (M-Profile) MGP 35



## Technical Data

- Max Working Pressure 5 Bar (External) / 1 Bar (Internal) @ 70°C
- "M" profile press jaws or slings
- Approved tools include Novapress, REMS, Rothenberger and Ridgid
- Suitable for above ground 2nd and 3rd family gases to EN437

## Applicable Standards

- For use with type TX copper tubing conformant to EN 1057

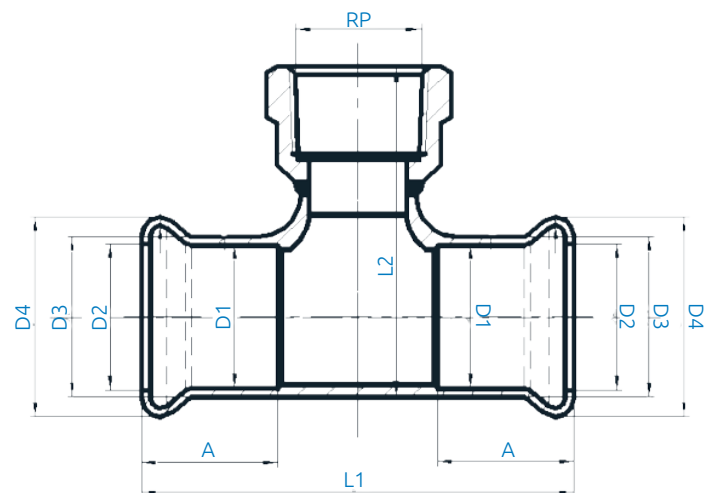


## Features & Benefits

- Durable and secure leak proof joint
- Braze free, permanent joint - no hot works required
- Huge time and resource savings
- 25 Year warranty
- Yellow plastic film which will fall off when crimped for easy identification of pressed joint
- 2 point press
- Dust covers keep O-ring clean prior to assembly

## Material Specifications

NO	Description	Materials
1	Body	Cu-DHP (CW024A)
2	Crimp indicator film	PVC, Ochre Yellow
3	O-Ring	HNBR
4	Dust Cap	PE



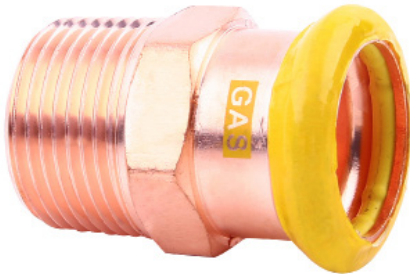
## Product Codes and Dimensions

STOCK NO.	D1 (mm)	D2 (mm)	D3 (mm)	D4 (mm)	A (mm)	L1 (mm)	L2 (mm)	RP
29744	15	15.6	18	23	19	64	48.5	1/2"
29745	22	22.8	25	31.3	20	74	55	1/2"
29747	28	28.8	31	37.4	22	84	63	1/2"
29749	35	35.7	38.3	44.7	25	91	68	1/2"
29750	42	42.8	45.3	53.5	29	98	75	1/2"
29751	54	54.8	57.3	65.3	34	123	83	1/2"



# Copper Press GAS Male Iron Adaptor (M-Profile)

## MGP 45



### Technical Data

- Max Working Pressure 5 Bar (External) / 1 Bar (Internal) @ 70°C
- "M" profile press jaws or slings
- Approved tools include Novapress, REMS, Rothenberger and Ridgid
- Suitable for above ground 2nd and 3rd family gases to EN437

### Applicable Standards

- For use with type TX copper tubing conformant to EN 1057

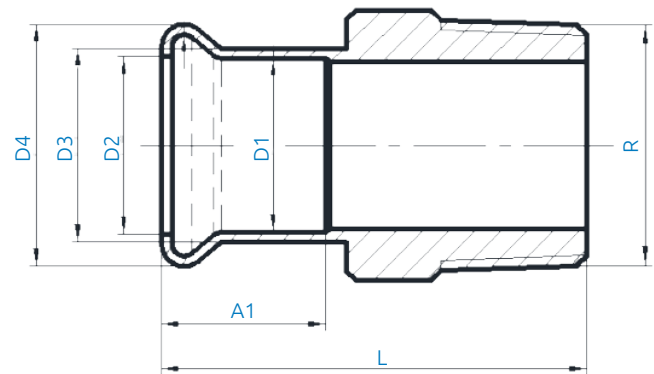


### Features & Benefits

- Durable and secure leak proof joint
- Braze free, permanent joint - no hot works required
- Huge time and resource savings
- 25 Year warranty
- Yellow plastic film which will fall off when crimped for easy identification of pressed joint
- 2 point press
- Dust covers keep O-ring clean prior to assembly

### Material Specifications

NO	Description	Materials
1	Body	Cu-DHP (CW024A)
2	Crimp indicator film	PVC, Ochre Yellow
3	O-Ring	HNBR
4	Dust Cap	PE

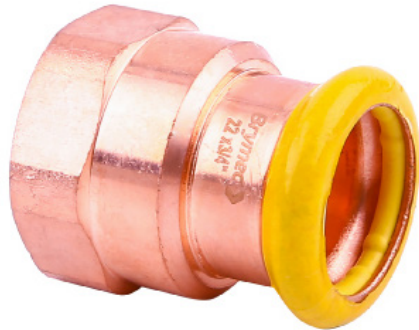


### Product Codes and Dimensions

STOCK NO.	D1 (mm)	D2 (mm)	D3 (mm)	D4 (mm)	A1 (mm)	L (mm)	R
29753	15	15.6	18	23	19	39	1/2"
29756	22	22.8	25	31.3	20	41	3/4"
29759	28	28.8	31	37.4	22	46	1"
29762	35	35.7	38.3	44.7	25	53	1 1/4"
29764	42	42.8	45.3	53.5	29	58	1 1/2"
29765	54	54.8	57.3	65.3	34	65	2"
29766	67	69.1	71.7	82.6	48	103	2 1/2"
29767	76	78.6	81.1	94.4	49	-	2 1/2"

# Copper Press GAS Female Iron Adaptor (M-Profile)

## MGP 46



### Technical Data

- Max Working Pressure 5 Bar (External) / 1 Bar (Internal) @ 70°C
- "M" profile press jaws or slings
- Approved tools include Novapress, REMS, Rothenberger and Ridgid
- Suitable for above ground 2nd and 3rd family gases to EN437

### Applicable Standards

- For use with type TX copper tubing conformant to EN 1057

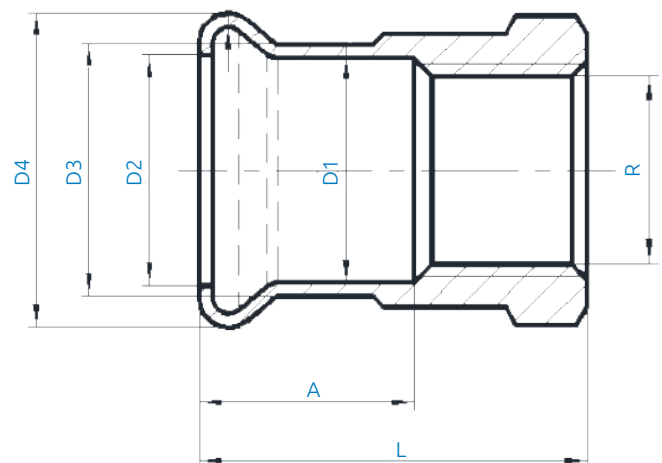


### Features & Benefits

- Durable and secure leak proof joint
- Braze free, permanent joint - no hot works required
- Huge time and resource savings
- 25 Year warranty
- Yellow plastic film which will fall off when crimped for easy identification of pressed joint
- 2 point press
- Dust covers keep O-ring clean prior to assembly

### Material Specifications

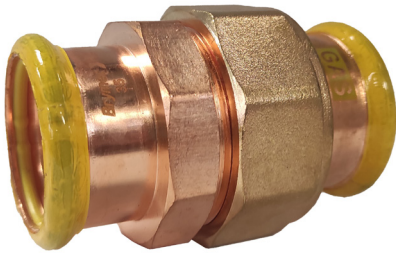
NO	Description	Materials
1	Body	Cu-DHP (CW024A)
2	Crimp indicator film	PVC, Ochre Yellow
3	O-Ring	HNBR
4	Dust Cap	PE



### Product Codes and Dimensions

STOCK NO.	D1	D2	D3	D4	A	L	R
29771	15	15.6	18	23	19	40	1/2"
29774	22	22.8	25	31.3	20	40	3/4"
29777	28	28.8	31	37.4	22	47	1"
29780	35	35.7	38.3	44.7	25	52	1 1/4"
29782	42	42.8	45.3	53.5	29	56	1 1/2"
29783	54	54.8	57.3	65.3	34	65	2"

# Union Coupling GAS Copper-Press (M-Profile)



## Features and Benefits

- Durable and secure leak proof joint
- Braze free, permanent joint - no hot works required
- Huge time and resource savings
- 25 Year warranty
- Yellow plastic film which will fall off when crimped for easy identification of pressed joint
- 2 point press
- Dust covers keep O-ring clean prior to assembly

## Material Specifications

Number	Description	Materials
1	Copper Fitting P	C12200
2	O-Ring	HNBR
3	Gasket	HNBR
4	Copper Nut	C37700

## Product Codes and Dimensions

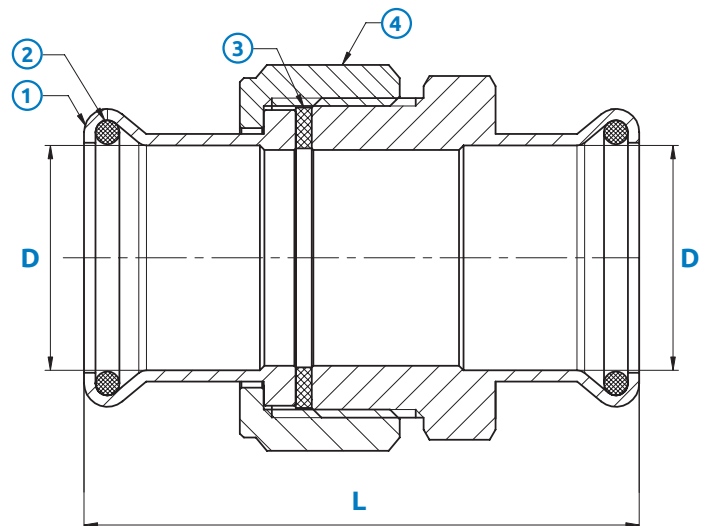
STOCK NO	D (mm)	L (mm)
29810	15	62
29811	22	64.5
29812	28	69.5
29813	35	81
29814	42	88
29815	54	104

## Technical Data

- Max Working Pressure 5 Bar (External) / 1 Bar (Internal) @ 70°C
- "M" profile press jaws or slings
- Approved tools include Novapress, REMS, Rothenberger and Ridgid
- Suitable for above ground 2nd and 3rd family gases to EN437

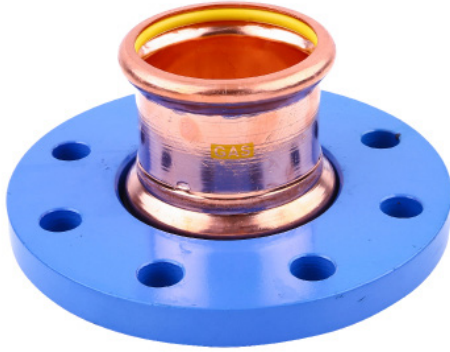
## Applicable Standards

- For use with type TX copper tubing conformant to EN 1057



# Copper Press GAS Flange (M-Profile)

## MGP 71



### Technical Data

- Max Working Pressure 5 Bar (External) / 1 Bar (Internal) @ 70°C
- "M" profile press jaws or slings
- Approved tools include Novapress, REMS, Rothenberger and Ridgid
- Suitable for above ground 2nd and 3rd family gases to EN437

### Applicable Standards

- For use with type TX copper tubing conformant to EN 1057

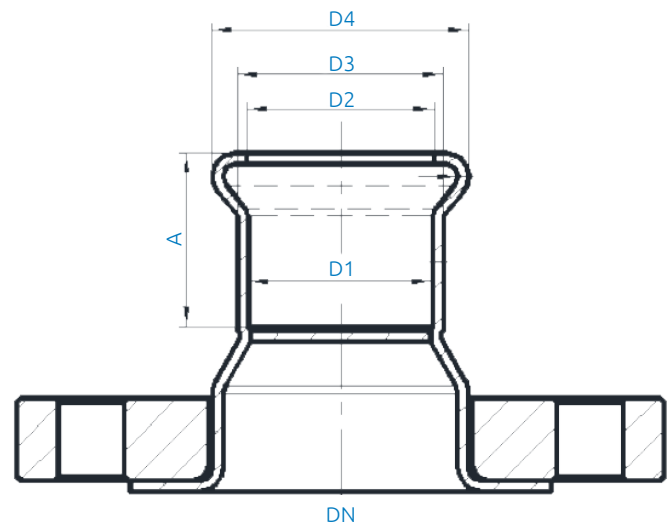


### Features & Benefits

- Durable and secure leak proof joint
- Braze free, permanent joint - no hot works required
- Huge time and resource savings
- 25 Year warranty
- Yellow plastic film which will fall off when crimped for easy identification of pressed joint
- 2 point press
- Dust covers keep O-ring clean prior to assembly

### Material Specifications

NO	Description	Materials
1	Body	Cu-DHP (CW024A)
2	Crimp indicator film	PVC, Ochre Yellow
3	O-Ring	HNBR
4	Dust Cap	PE
5	Flange	Steel, EN 10305-4 E235
6	Paint	Epoxy, Blue



### Product Codes and Dimensions

STOCK NO.	D1 (mm)	D2 (mm)	D3 (mm)	D4 (mm)	A (mm)	DN	NO. OF BOLT HOLES
29807	76	78.6	81.1	94.4	49	3"	8
29808	108	110.9	113.8	132.1	65	4"	8