

Brass Coupler Multilayer Crimp Fitting MLF 01



Technical Data

- Working Pressure 0.8MPa
- Maximum Pressure 1.0MPa
- Working Temperature 80°C
- Maximum Temperature 95°C
- Compatible Press Profiles U / H / TH
- Suitable for water and neutral liquids

Applicable Standards

- Manufactured to EN Standard EN ISO 21003-3
- WRAS Approved
- Thread Standard ISO 228, ISO 7

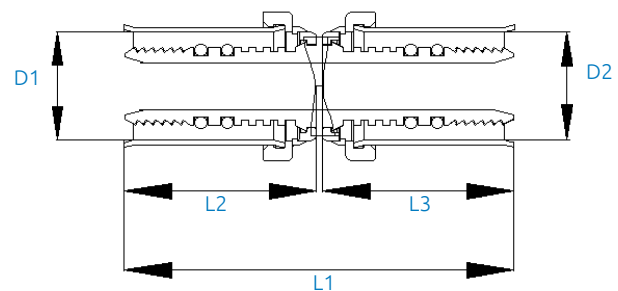


Features and Benefits

- Commercial quality, solid brass fittings for strength and robustness
- Each fitting has 2 or more O-rings giving an outstanding seal. Pipe inserts are not needed
- Flexible and formable pipe allows for a fast installation process with reduced fittings
- Extremely lightweight compared to metal pipes
- Pipe Warranty 25 Years
- Fitting Warranty 5 Years
- System Warranty 25 Years

Material Specifications

Description	Materials
Body	Brass - CW617N/CW602N
Plastic Collet	Plastic - PE, Blue
Crimping Sleeve	Stainless Steel - SUS304
O Ring	Rubber - EPDM



Product Codes and Dimensions

STOCK NO.	D1	D2	L1	L2	L3
51019	16	16	59.4	29.2	29.2
51028	20	16	59.4	29.2	29.2
51020	20	20	59.4	29.2	29.2
51040	25	16	61.2	31	29.2
51038	25	20	61.2	31	29.2
51018	25	25	63	31	31
51031	32	16	65.7	35.5	29.2
51032	32	20	65.7	35.5	29.2
51039	32	25	67.5	35.5	31
51022	32	32	72	35.5	35.5

Brass 90 Elbow Multilayer Crimp Fitting MLF 10



Technical Data

- Working Pressure 0.8MPa
- Maximum Pressure 1.0MPa
- Working Temperature 80°C
- Maximum Temperature 95°C
- Compatible Press Profiles U / H / TH
- Suitable for water and neutral liquids

Applicable Standards

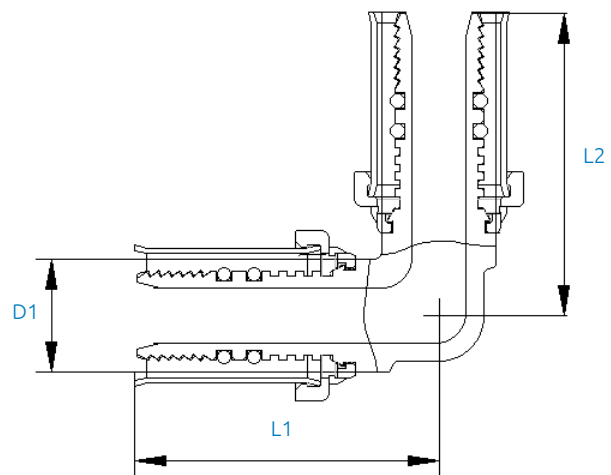
- Manufactured to EN Standard EN ISO 21003-3
- WRAS Approved
- Thread Standard ISO 228, ISO 7

Features and Benefits

- Commercial quality, solid brass fittings for strength and robustness
- Each fitting has 2 or more O-rings giving an outstanding seal. Pipe inserts are not needed
- Flexible and formable pipe allows for a fast installation process with reduced fittings
- Extremely lightweight compared to metal pipes
- Pipe Warranty 25 Years
- Fitting Warranty 5 Years
- System Warranty 25 Years

Material Specifications

Description	Materials
Body	Brass - CW617N/CW602N
Plastic Collet	Plastic - PE, Blue
Crimping Sleeve	Stainless Steel - SUS304
O Ring	Rubber - EPDM



Product Codes and Dimensions

STOCK NO.	D1	L1	L2
51044	16	40.2	40.2
51045	20	43.2	43.2
51043	25	48	48
51047	32	55.5	55.5

Brass Equal Tee Multilayer Crimp Fitting MLF 30



Technical Data

- Working Pressure 0.8MPa
- Maximum Pressure 1.0MPa
- Working Temperature 80°C
- Maximum Temperature 95°C
- Compatible Press Profiles U / H / TH
- Suitable for water and neutral liquids

Applicable Standards

- Manufactured to EN Standard EN ISO 21003-3
- WRAS Approved
- Thread Standard ISO 228, ISO 7

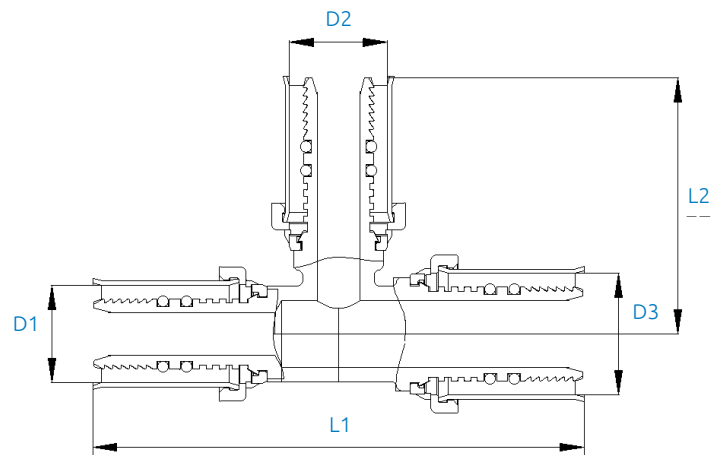


Features and Benefits

- Commercial quality, solid brass fittings for strength and robustness
- Each fitting has 2 or more O-rings giving an outstanding seal. Pipe inserts are not needed
- Flexible and formable pipe allows for a fast installation process with reduced fittings
- Extremely lightweight compared to metal pipes
- Pipe Warranty 25 Years
- Fitting Warranty 5 Years
- System Warranty 25 Years

Material Specifications

Description	Materials
Body	Brass - CW617N/CW602N
Plastic Collet	Plastic - PE, Blue
Crimping Sleeve	Stainless Steel - SUS304
O Ring	Rubber - EPDM



Product Codes and Dimensions

STOCK NO.	D1	D2	D3	L1	L2
51058	16	16	16	80.4	40.2
51140	16	20	16	86.4	41.2
51142	16	16	20	82.4	43.2
51121	20	16	20	82.4	44.2
51059	20	20	20	86.4	43.2
51137	20	25	20	92.4	45
51124	25	16	25	86	46.2
51147	25	20	20	88.2	46.2
51125	25	20	25	90	46.2
51042	25	25	25	86	48
51129	32	20	32	99	49.2
51130	32	25	32	105	51
51061	32	32	32	111	55.5

Female Iron Branch Tee Multilayer Crimp Fitting MLF 35



Technical Data

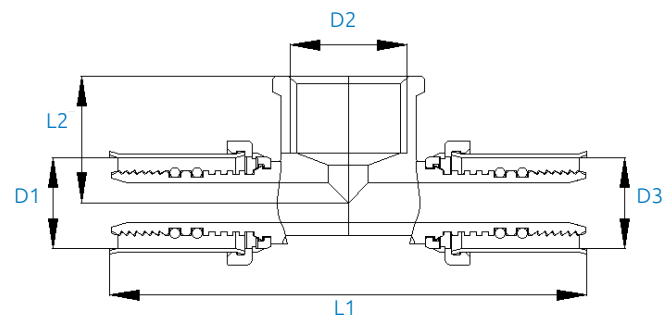
- Working Pressure 0.8MPa
- Maximum Pressure 1.0MPa
- Working Temperature 80°C
- Maximum Temperature 95°C
- Compatible Press Profiles U / H / TH
- Suitable for water and neutral liquids

Applicable Standards

- Manufactured to EN Standard EN ISO 21003-3
- WRAS Approved
- Thread Standard ISO 228, ISO 7

Features and Benefits

- Commercial quality, solid brass fittings for strength and robustness
- Each fitting has 2 or more O-rings giving an outstanding seal. Pipe inserts are not needed
- Flexible and formable pipe allows for a fast installation process with reduced fittings
- Extremely lightweight compared to metal pipes
- Pipe Warranty 25 Years
- Fitting Warranty 5 Years
- System Warranty 25 Years



Material Specifications

Description	Materials
Body	Brass - CW617N/CW602N
Plastic Collet	Plastic - PE, Blue
Crimping Sleeve	Stainless Steel - SUS304
O Ring	Rubber - EPDM

Product Codes and Dimensions

STOCK NO.	D1	D2	D3	L1	L2
51155	16	1/2"	16	86.4	23
51156	20	1/2"	20	86.4	25
51157	25	3/4"	25	97	25

Male Iron Multilayer Crimp Coupler

MLF 45



Technical Data

- Working Pressure 0.8MPa
- Maximum Pressure 1.0MPa
- Working Temperature 80°C
- Maximum Temperature 95°C
- Compatible Press Profiles U / H / TH
- Suitable for water and neutral liquids

Applicable Standards

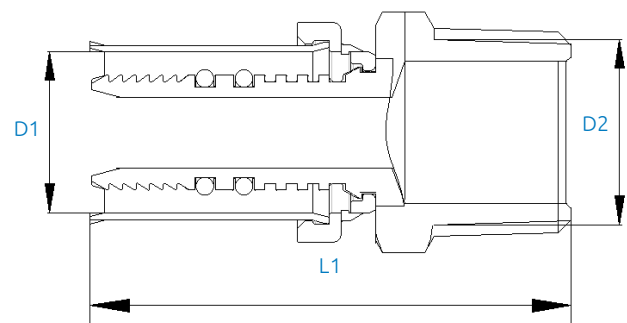
- Manufactured to EN Standard EN ISO 21003-3
- WRAS Approved
- Thread Standard ISO 228, ISO 7

Features and Benefits

- Commercial quality, solid brass fittings for strength and robustness
- Each fitting has 2 or more O-rings giving an outstanding seal. Pipe inserts are not needed
- Flexible and formable pipe allows for a fast installation process with reduced fittings
- Extremely lightweight compared to metal pipes
- Pipe Warranty 25 Years
- Fitting Warranty 5 Years
- System Warranty 25 Years

Material Specifications

Description	Materials
Body	Brass - CW617N/CW602N
Plastic Collet	Plastic - PE, Blue
Crimping Sleeve	Stainless Steel - SUS304
O Ring	Rubber - EPDM



Product Codes and Dimensions

STOCK NO.	D1	D2	L1
51081	16	1/2"	49.2
51083	20	1/2"	49.2
51084	20	3/4"	50
51082	25	3/4"	52
51085	25	1"	53
51088	32	1"	57.5

Female Iron Multilayer Crimp Coupler

MLF 46



Technical Data

- Working Pressure 0.8MPa
- Maximum Pressure 1.0MPa
- Working Temperature 80°C
- Maximum Temperature 95°C
- Compatible Press Profiles U / H / TH
- Suitable for water and neutral liquids

Applicable Standards

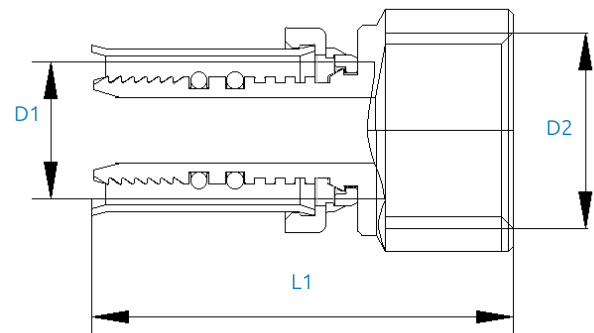
- Manufactured to EN Standard EN ISO 21003-3
- WRAS Approved
- Thread Standard ISO 228, ISO 7

Features and Benefits

- Commercial quality, solid brass fittings for strength and robustness
- Each fitting has 2 or more O-rings giving an outstanding seal. Pipe inserts are not needed
- Flexible and formable pipe allows for a fast installation process with reduced fittings
- Extremely lightweight compared to metal pipes
- Pipe Warranty 25 Years
- Fitting Warranty 5 Years
- System Warranty 25 Years

Material Specifications

Description	Materials
Body	Brass - CW617N/CW602N
Plastic Collet	Plastic - PE, Blue
Crimping Sleeve	Stainless Steel - SUS304
O Ring	Rubber - EPDM



Product Codes and Dimensions

STOCK NO.	D1	D2	L1
51067	16	1/2"	46.2
51069	20	1/2"	46.2
51070	20	3/4"	47.2
51095	25	3/4"	49
51068	25	1"	50.5
51073	32	1"	55

Male Iron Elbow Multilayer Crimp Fitting MLF 47



Technical Data

- Working Pressure 0.8MPa
- Maximum Pressure 1.0MPa
- Working Temperature 80°C
- Maximum Temperature 95°C
- Compatible Press Profiles U / H / TH
- Suitable for water and neutral liquids

Applicable Standards

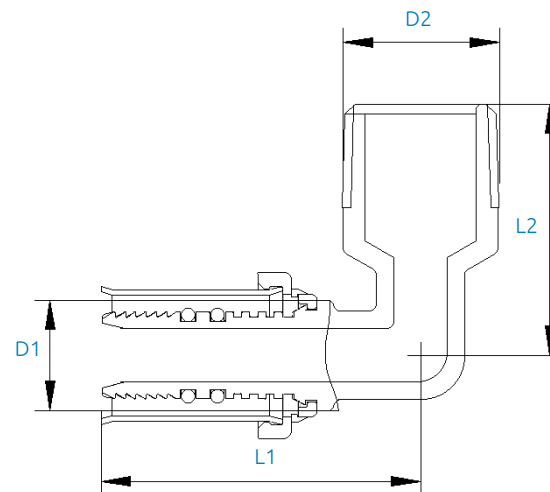
- Manufactured to EN Standard EN ISO 21003-3
- WRAS Approved
- Thread Standard ISO 228, ISO 7

Features and Benefits

- Commercial quality, solid brass fittings for strength and robustness
- Each fitting has 2 or more O-rings giving an outstanding seal. Pipe inserts are not needed
- Flexible and formable pipe allows for a fast installation process with reduced fittings
- Extremely lightweight compared to metal pipes
- Pipe Warranty 25 Years
- Fitting Warranty 5 Years
- System Warranty 25 Years

Material Specifications

Description	Materials
Body	Brass - CW617N/CW602N
Plastic Collet	Plastic - PE, Blue
Crimping Sleeve	Stainless Steel - SUS304
O Ring	Rubber - EPDM



Product Codes and Dimensions

STOCK NO.	D1	D2	L1	L2
51096	16	1/2"	43.2	34
51098	20	3/4"	46.2	37.5
51099	25	1"	53	41

Female Iron Elbow Multilayer Crimp Fitting MLF 48



Technical Data

- Working Pressure 0.8MPa
- Maximum Pressure 1.0MPa
- Working Temperature 80°C
- Maximum Temperature 95°C
- Compatible Press Profiles U / H / TH
- Suitable for water and neutral liquids

Applicable Standards

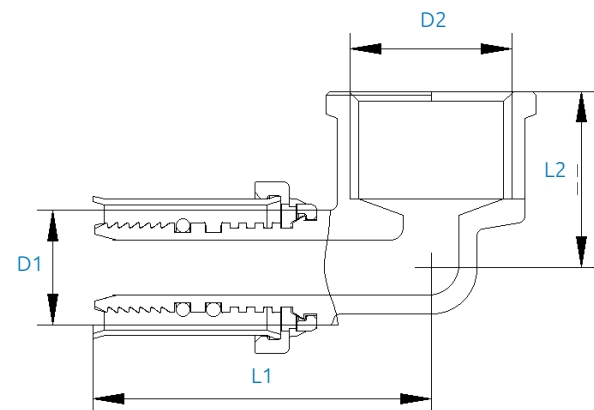
- Manufactured to EN Standard EN ISO 21003-3
- WRAS Approved
- Thread Standard ISO 228, ISO 7

Features and Benefits

- Commercial quality, solid brass fittings for strength and robustness
- Each fitting has 2 or more O-rings giving an outstanding seal. Pipe inserts are not needed
- Flexible and formable pipe allows for a fast installation process with reduced fittings
- Extremely lightweight compared to metal pipes
- Pipe Warranty 25 Years
- Fitting Warranty 5 Years
- System Warranty 25 Years

Material Specifications

Description	Materials
Body	Brass - CW617N/CW602N
Plastic Collet	Plastic - PE, Blue
Crimping Sleeve	Stainless Steel - SUS304
O Ring	Rubber - EPDM



Product Codes and Dimensions

STOCK NO.	D1	D2	L1	L2
51108	16	1/2"	44.2	23
51109	20	3/4"	46.7	26
51105	25	3/4"	48.5	27.5
51106	25	1"	52.5	29

Backplate Elbow Multilayer Crimp Fitting MLF 51



Technical Data

- Working Pressure 0.8MPa
- Maximum Pressure 1.0MPa
- Working Temperature 80°C
- Maximum Temperature 95°C
- Compatible Press Profiles U / H / TH
- Suitable for water and neutral liquids

Applicable Standards

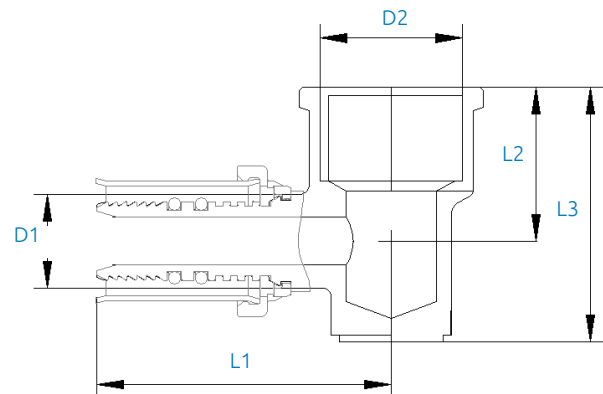
- Manufactured to EN Standard EN ISO 21003-3
- WRAS Approved
- Thread Standard ISO 228, ISO 7

Features and Benefits

- Commercial quality, solid brass fittings for strength and robustness
- Each fitting has 2 or more O-rings giving an outstanding seal. Pipe inserts are not needed
- Flexible and formable pipe allows for a fast installation process with reduced fittings
- Extremely lightweight compared to metal pipes
- Pipe Warranty 25 Years
- Fitting Warranty 5 Years
- System Warranty 25 Years

Material Specifications

Description	Materials
Body	Brass - CW617N/CW602N
Plastic Collet	Plastic - PE, Blue
Crimping Sleeve	Stainless Steel - SUS304
O Ring	Rubber - EPDM



Product Codes and Dimensions

STOCK NO.	D1	D2	L1	L2	L3
51171	16	1/2"	44.2	23	38
51173	20	3/4"	46.7	26	44