

Polybutylene Push-fit Coupler

PBF 01



Features & Benefits

- 50 Year warranty
- Labour savings of 40%
- All white plastic system
- Twist and Lock push fittings
- Visible Connection
- Strong Stainless Grip Ring
- Permanent anti-leak system
- No tools required

Material Specifications

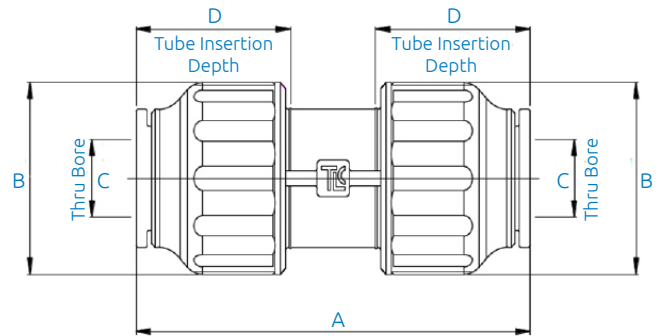
NO	Description	Materials
1	Body	Cross-Linked Polyethylene, White
2	Cap	Nylon, White
3	Collet	Celcon, White
4	O-Ring	EPDM, Black
5	Insert Ring	Acetal, Blue
6	Body Ring	Acetal, Blue

Technical Data

- Working Press@ Temp
 - 17 Bar @ 23°C
 - 10 Bar @ 65°C
 - 6 Bar @ 95°C
 - 3 Bar @ 105°C

Applicable Standards

- WRAS approved
- IGC 188-2009
- ASSE1061-2011
- NSF/ANSI- 14,61&372-2015
- Not suitable for hot water re-circulation systems



Product Codes and Dimensions

STOCK NO.	DN	A (mm)	B (mm)	C (mm)	D (mm)
36040	15	77	32	13	30
36041	22	77	39	19.6	37
36042	28	97.5	50.2	25	41

Polybutylene Push-fit Spigot Reducer PBF 03



Features & Benefits

- 50 Year warranty
- Labour savings of 40%
- All white plastic system
- Twist and Lock push fittings
- Visible Connection
- Strong Stainless Grip Ring
- Permanent anti-leak system
- No tools required

Material Specifications

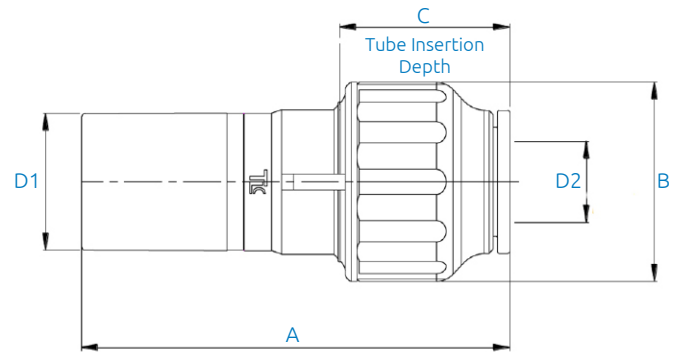
NO	Description	Materials
1	Body	Cross-Linked Polyethylene, White
2	Cap	Nylon, White
3	Collet	Celcon, White
4	O-Ring	EPDM, Black
5	Insert Ring	Acetal, Blue
6	Body Ring	Acetal, Blue

Technical Data

- Working Press@ Temp
 - 17 Bar @ 23°C
 - 10 Bar @ 65°C
 - 6 Bar @ 95°C
 - 3 Bar @ 105°C

Applicable Standards

- WRAS approved
- IGC 188-2009
- ASSE1061-2011
- NSF/ANSI- 14,61&372-2015
- Not suitable for hot water re-circulation systems



Product Codes and Dimensions

STOCK NO.	D1	D2	A (mm)	B (mm)	C (mm)
36062	15	10	59	25.5	22
36059	22	15	74	32	30
36060	28	22	90	39	37

Polybutylene Push-fit Socket Reducer PBF 04



Technical Data

- Working Press@ Temp
 - 17 Bar @ 23°C
 - 10 Bar @ 65°C
 - 6 Bar @ 95°C
 - 3 Bar @ 105°C

Applicable Standards

- WRAS approved
- IGC 188-2009
- ASSE1061-2011
- NSF/ANSI- 14,61&372-2015
- Not suitable for hot water re-circulation systems

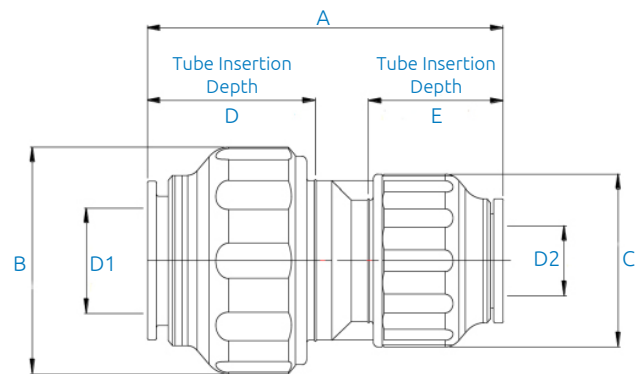


Features & Benefits

- 50 Year warranty
- Labour savings of 40%
- All white plastic system
- Twist and Lock push fittings
- Visible Connection
- Strong Stainless Grip Ring
- Permanent anti-leak system
- No tools required

Material Specifications

NO	Description	Materials
1	Body	Cross-Linked Polyethylene, White
2	Cap	Nylon, White
3	Collet	Celcon, White
4	O-Ring	EPDM, Black
5	Insert Ring	Acetal, Blue
6	Body Ring	Acetal, Blue



Product Codes and Dimensions

STOCK NO.	D1 (mm)	D2 (mm)	A (mm)	B (mm)	C (mm)	D (mm)	E (mm)
36061	22	15	77	39	32	37	30

Polybutylene Push-fit Isolation Valve

PBF 05



Technical Data

- Working Press@ Temp
 - 10 Bar @ 1°C - 20°C (Water)
- Maximum Handle Torque – 0.2 Nm
- Not suitable for hot water re-circulation systems
- Suitable for cold water only

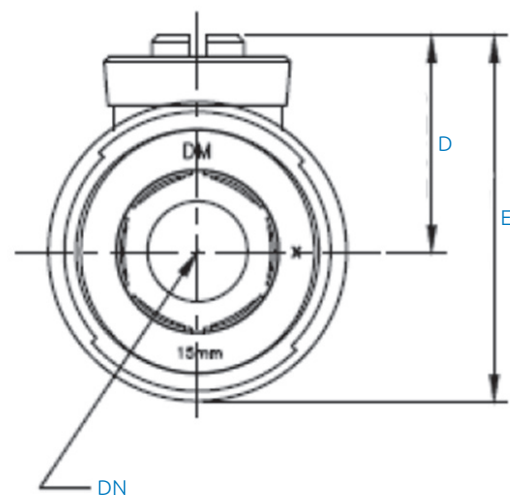
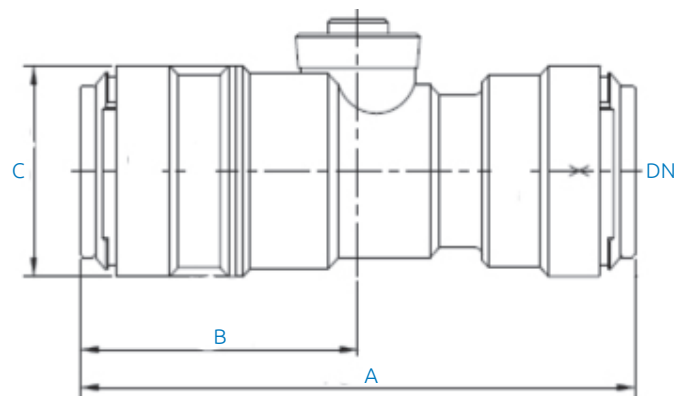
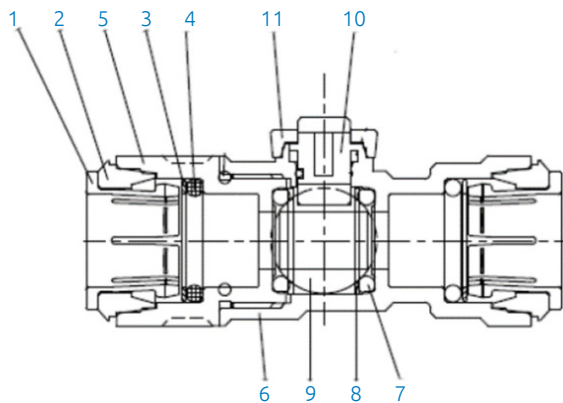
Applicable Standards

- Comply to ISO 9001 /14001
- WRAS Approved
- ASTM D-1693(IGEPAL)
- SK ZERT(SK380-001)
- NSF/ANSI-51
- NSF/ANSI-61
- FDA



Features & Benefits

- 50 Year warranty
- Labour savings of 40%
- Strong Stainless Grip Ring
- Permanent anti-leak system
- No tools required
- Easy quarter-turn operation for opening and closing



Material Specifications

NO	Description	Materials
1	Collet	POM & SUS
2	Cap	POM
3	Support	POM
4	O-Ring	EPDM
5	Body Male	POM
6	Body Female	POM
7	O-Ring	EPDM
8	Guide Ring	POM
9	Ball	POM
10	Shaft	POM
11	Shaft Cap	POM

Product Codes and Dimensions

STOCK NO.	DN	A (mm)	B (mm)	C (mm)	D (mm)	E (mm)
36086	15	78.06	39.03	28	20.20	34.20

Polybutylene Push-fit Washing Machine Valve

PBF 06



Technical Data

- Working Press@ Temp
 - 11 Bar (170PSI) @ 1°C
 - 11 Bar (170PSI) @ 20°C
 - 7 Bar (100PSI) @ 65°C
- Not suitable for hot water re-circulation systems
- Maximum Handle Torque – 2 Nm

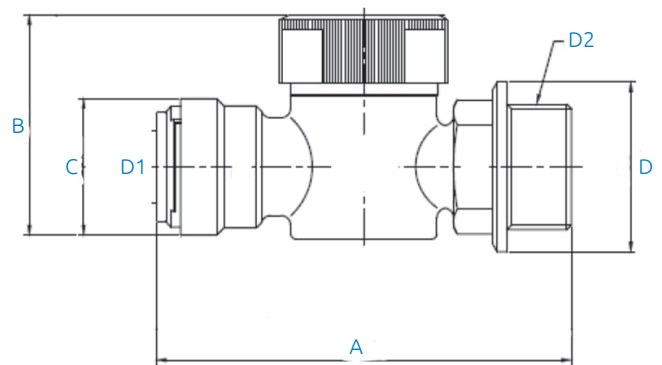
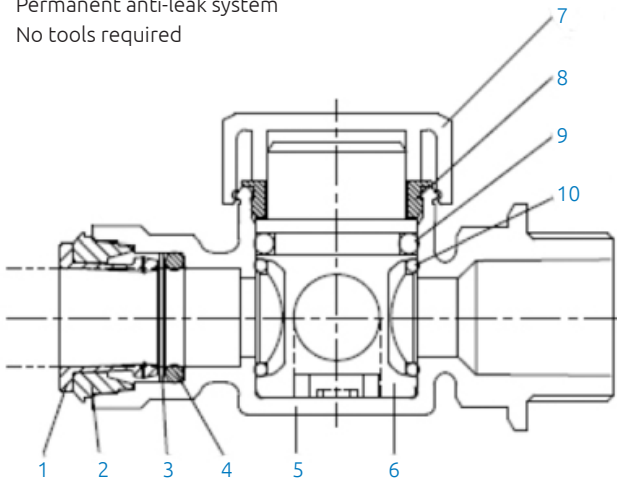
Applicable Standards

- Comply to ISO 9001 /14001
- ASTM D-1693(IGEPAL)
- KTW
- ACS
- NSF-61
- FDA
- DVGW



Features & Benefits

- 50 Year warranty
- Labour savings of 40%
- Strong Stainless Grip Ring
- Permanent anti-leak system
- No tools required



Material Specifications

NO	Description	Materials
1	Collet	POM & SUS
2	Cap	POM
3	Support	POM
4	O-Ring	NBR & EPDM
5	Body	POM
6	Shaft	POM
7	Handle	POM
8	LC	POM
9	O-Ring	NBR & EPDM
10	O-Ring	NBR & EPDM

Product Codes and Dimensions

STOCK NO.	D1 (mm)	D2 (BSPP)	A (mm)	B (mm)	C (mm)	D (mm)
36087	15	3/4"	86	45.5	28.2	35

Polybutylene Push-fit Double Check Valve PBF 07



Technical Data

- Working Press@ Temp
 - 10 Bar @ 1°C - 20°C
 - 5 Bar @ 65°C
- Not suitable for hot water re-circulation systems

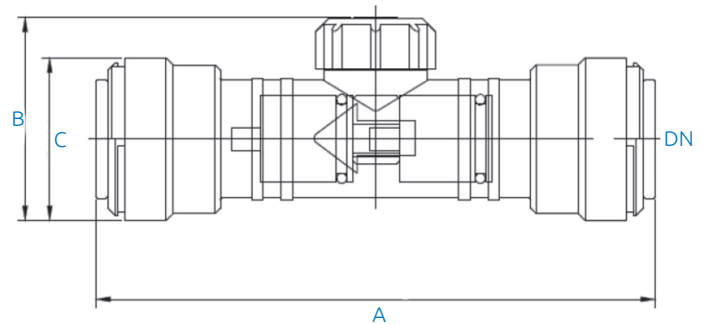
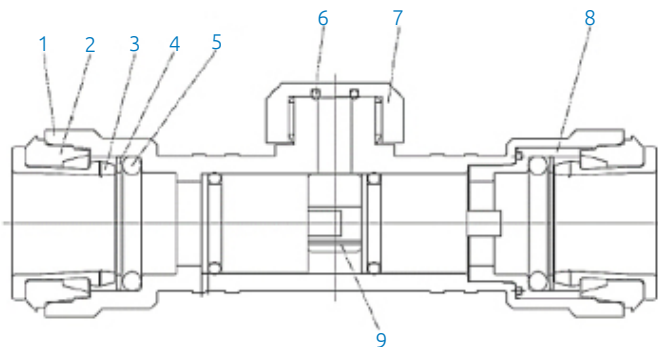
Applicable Standards

- Comply to ISO 9001 /14001
- WRAS Approved
- ASTM D-1693(IGEPAL)
- SK ZERT(SK380-001)
- NSF/ANSI-51
- NSF/ANSI-61
- FDA



Features & Benefits

- 50 Year warranty
- Labour savings of 40%
- Strong Stainless Grip Ring
- Permanent anti-leak system
- No tools required



Material Specifications

NO	Description	Materials
1	Body	POM
2	Cap	POM
3	Clip	POM & SUS
4	Support	POM
5	O-Ring	NBR & EPDM
6	O-Ring	NBR & EPDM
7	Nut	POM
8	Ring	POM
9	Spacer	POM

Product Codes and Dimensions

STOCK NO.	DN	A (mm)	B (mm)	C (mm)
36088	15	96.50	35	28

Polybutylene Push-fit Elbow PBF 10



Features & Benefits

- 50 Year warranty
- Labour savings of 40%
- All white plastic system
- Twist and Lock push fittings
- Visible Connection
- Strong Stainless Grip Ring
- Permanent anti-leak system
- No tools required

Material Specifications

NO	Description	Materials
1	Body	Cross-Linked Polyethylene, White
2	Cap	Nylon, White
3	Collet	Celcon, White
4	O-Ring	EPDM, Black
5	Insert Ring	Acetal, Blue
6	Body Ring	Acetal, Blue

Product Codes and Dimensions

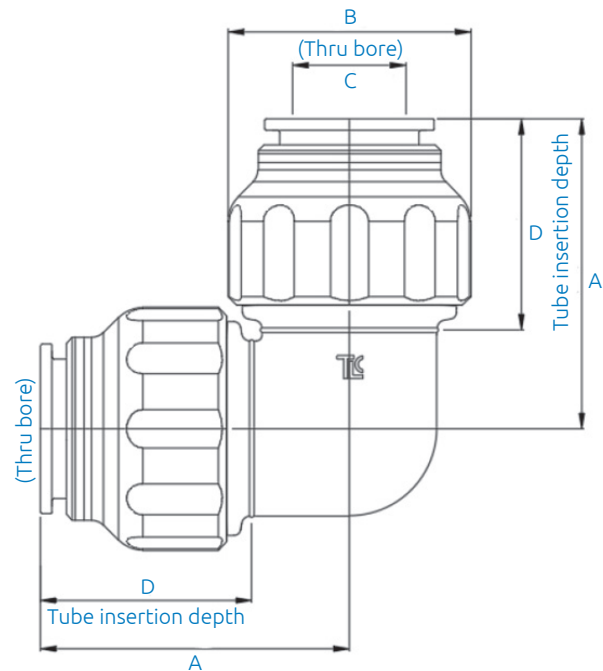
STOCK NO.	DN	A (mm)	B (mm)	C (mm)	D (mm)
36043	15	44.5	32	13	30
36044	22	52.9	39	19.6	37
36045	28	63	50.2	25	41

Technical Data

- Working Press@ Temp
 - 17 Bar @ 23°C
 - 10 Bar @ 65°C
 - 6 Bar @ 95°C
 - 3 Bar @ 105°C

Applicable Standards

- WRAS approved
- IGC 188-2009
- ASSE1061-2011
- NSF/ANSI- 14,61&372-2015
- Not suitable for hot water re-circulation systems



Polybutylene Push-fit Spigot Elbow

PBF 12



Features & Benefits

- 50 Year warranty
- Labour savings of 40%
- All white plastic system
- Twist and Lock push fittings
- Visible Connection
- Strong Stainless Grip Ring
- Permanent anti-leak system
- No tools required

Material Specifications

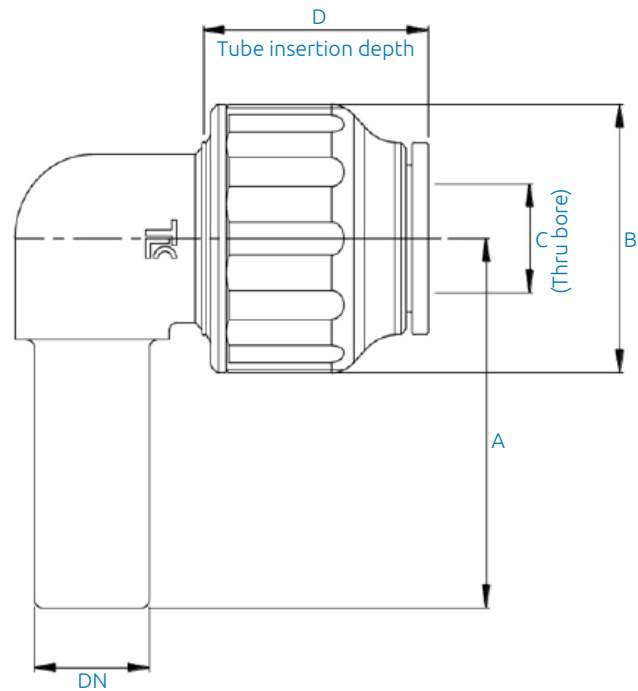
NO	Description	Materials
1	Body	Cross-Linked Polyethylene, White
2	Cap	Nylon, White
3	Collet	Celcon, White
4	O-Ring	EPDM, Black
5	Insert Ring	Acetal, Blue
6	Body Ring	Acetal, Blue

Technical Data

- Working Press@ Temp
 - 17 Bar @ 23°C
 - 10 Bar @ 65°C
 - 6 Bar @ 95°C
 - 3 Bar @ 105°C

Applicable Standards

- WRAS approved
- IGC 188-2009
- ASSE1061-2011
- NSF/ANSI- 14,61&372-2015
- Not suitable for hot water re-circulation systems



Product Codes and Dimensions

STOCK NO.	DN	A (mm)	B (mm)	C (mm)	D (mm)
36046	15	44	32	13	30
36047	22	50.5	39	19.6	37

Polybutylene Push-fit Female Backplate Wall Elbow



PBF 14



Technical Data

- Working Press@ Temp
 - 17 Bar @ 23°C
 - 10 Bar @ 65°C
 - 6 Bar @ 95°C
 - 3 Bar @ 105°C

Applicable Standards

- WRAS approved
- IGC 188-2009
- ASSE1061-2011
- NSF/ANSI- 14,61&372-2015
- Not suitable for hot water re-circulation systems

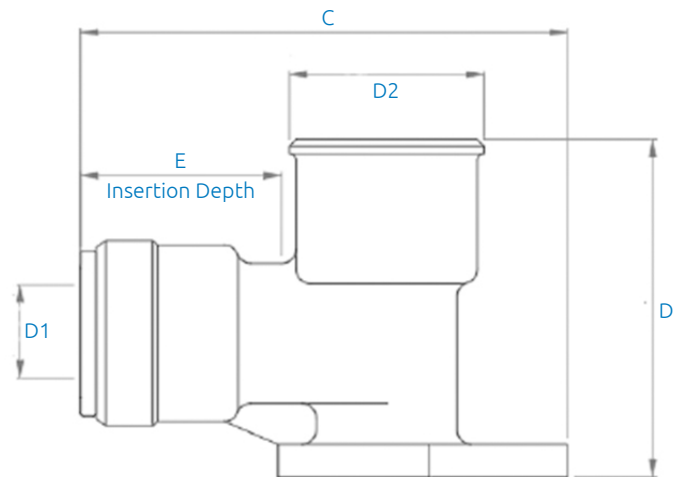
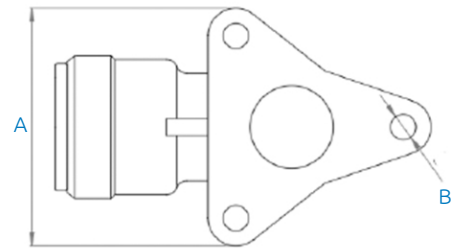
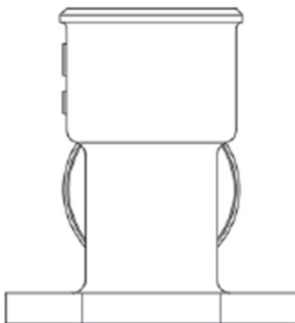


Features & Benefits

- 50 Year warranty
- Labour savings of 40%
- Visible Connection
- Strong Stainless Grip Ring
- Permanent anti-leak system
- No tools required

Material Specifications

NO	Description	Materials
1	Body	Brass
2	Collet	Celcone, White
3	O-Ring	EPDM, Black
4	Insert Ring	Acetal, Blue



Product Codes and Dimensions

STOCK NO.	D1	D2 (BSPP)	A (mm)	B (mm)	C (mm)	D (mm)	E (mm)
36090	15	1/2"	43	3 – 4.6	67.5	47	28
36091	22	3/4"	56	3 – 4.6	82	55	33

Polybutylene Push-fit Tee PBF 30



Features & Benefits

- 50 Year warranty
- Labour savings of 40%
- All white plastic system
- Twist and Lock push fittings
- Visible Connection
- Strong Stainless Grip Ring
- Permanent anti-leak system
- No tools required

Material Specifications

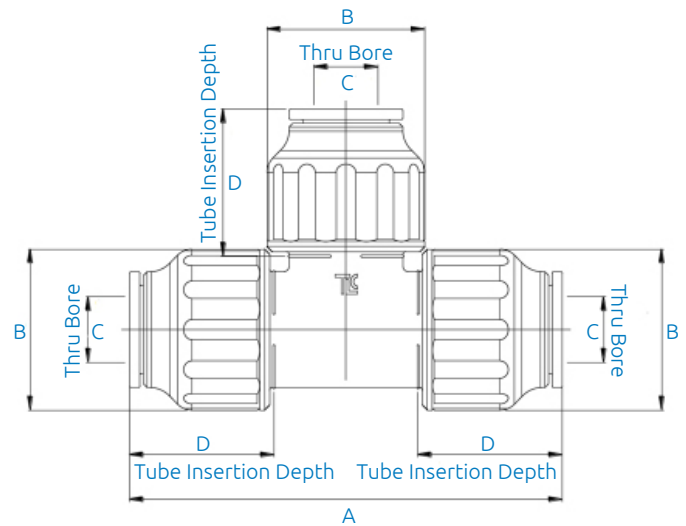
NO	Description	Materials
1	Body	Cross-Linked Polyethylene, White
2	Cap	Nylon, White
3	Collet	Celcon, White
4	O-Ring	EPDM, Black
5	Insert Ring	Acetal, Blue
6	Body Ring	Acetal, Blue

Technical Data

- Working Press@ Temp
 - 17 Bar @ 23°C
 - 10 Bar @ 65°C
 - 6 Bar @ 95°C
 - 3 Bar @ 105°C

Applicable Standards

- WRAS approved
- IGC 188-2009
- ASSE1061-2011
- NSF/ANSI- 14,61&372-2015
- Not suitable for hot water re-circulation systems



Product Codes and Dimensions

STOCK NO.	DN	A (mm)	B (mm)	C (mm)	D (mm)
36048	15	94	32	13	30
36049	22	104	39	19.6	37
36050	28	126	50.2	25	41

Polybutylene Push-fit Reducing Branch Tee

PBF 31



Features & Benefits

- 50 Year warranty
- Labour savings of 40%
- All white plastic system
- Twist and Lock push fittings
- Visible Connection
- Strong Stainless Grip Ring
- Permanent anti-leak system
- No tools required

Material Specifications

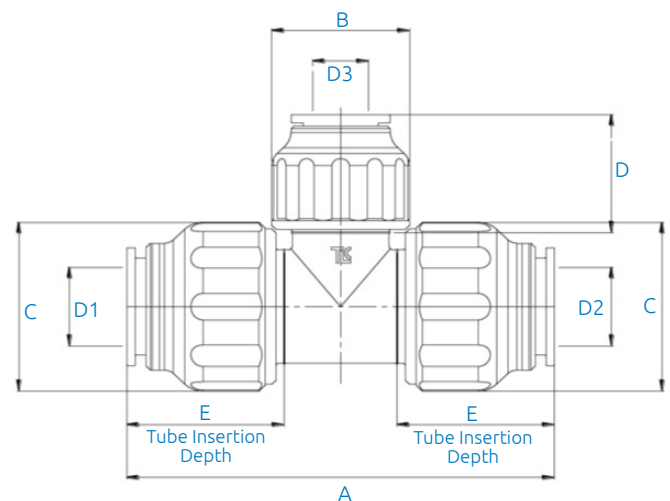
NO	Description	Materials
1	Body	Cross-Linked Polyethylene, White
2	Cap	Nylon, White
3	Collet	Celcon, White
4	O-Ring	EPDM, Black
5	Insert Ring	Acetal, Blue
6	Body Ring	Acetal, Blue

Technical Data

- Working Press@ Temp
 - 17 Bar @ 23°C
 - 10 Bar @ 65°C
 - 6 Bar @ 95°C
 - 3 Bar @ 105°C

Applicable Standards

- WRAS approved
- IGC 188-2009
- ASSE1061-2011
- NSF/ANSI- 14,61&372-2015
- Not suitable for hot water re-circulation systems



Product Codes and Dimensions

STOCK NO.	D1 (mm)	D2 (mm)	D3 (mm)	A (mm)	B (mm)	C (mm)	D (mm)	E (mm)
36053	22	22	15	97	32	39	30	37
36054	28	28	22	117	39	50.2	37	41

Polybutylene Push-fit Reducing End Tee

PBF 32



Features & Benefits

- 50 Year warranty
- Labour savings of 40%
- All white plastic system
- Twist and Lock push fittings
- Visible Connection
- Strong Stainless Grip Ring
- Permanent anti-leak system
- No tools required

Material Specifications

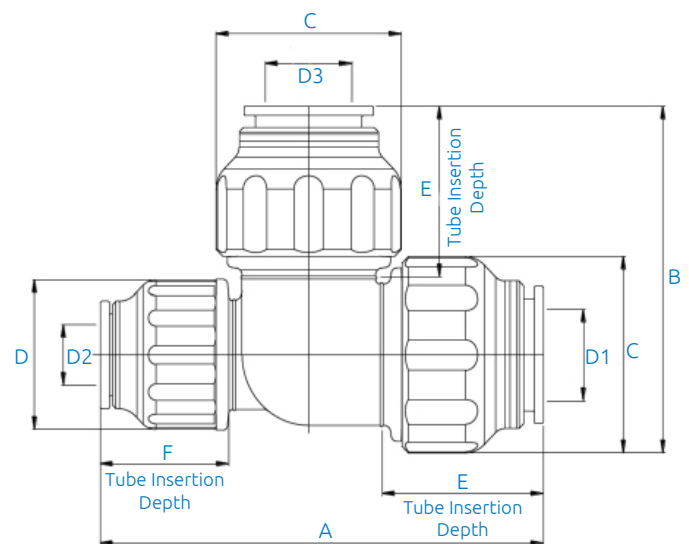
NO	Description	Materials
1	Body	Cross-Linked Polyethylene, White
2	Cap	Nylon, White
3	Collet	Celcon, White
4	O-Ring	EPDM, Black
5	Insert Ring	Acetal, Blue
6	Body Ring	Acetal, Blue

Technical Data

- Working Press@ Temp
 - 17 Bar @ 23°C
 - 10 Bar @ 65°C
 - 6 Bar @ 95°C
 - 3 Bar @ 105°C

Applicable Standards

- WRAS approved
- IGC 188-2009
- ASSE1061-2011
- NSF/ANSI- 14,61&372-2015
- Not suitable for hot water re-circulation systems



Product Codes and Dimensions

STOCK NO.	D1 (mm)	D2 (mm)	D3 (mm)	A (mm)	B (mm)	C (mm)	D (mm)	E (mm)	F (mm)
36051	22	15	22	101	74	39	32	37	30
36052	28	22	28	123	84	50.2	50.2	41	37

Polybutylene Push-fit Reducing End & Branch Tee

PBF 33



Features & Benefits

- 50 Year warranty
- Labour savings of 40%
- All white plastic system
- Twist and Lock push fittings
- Visible Connection
- Strong Stainless Grip Ring
- Permanent anti-leak system
- No tools required

Material Specifications

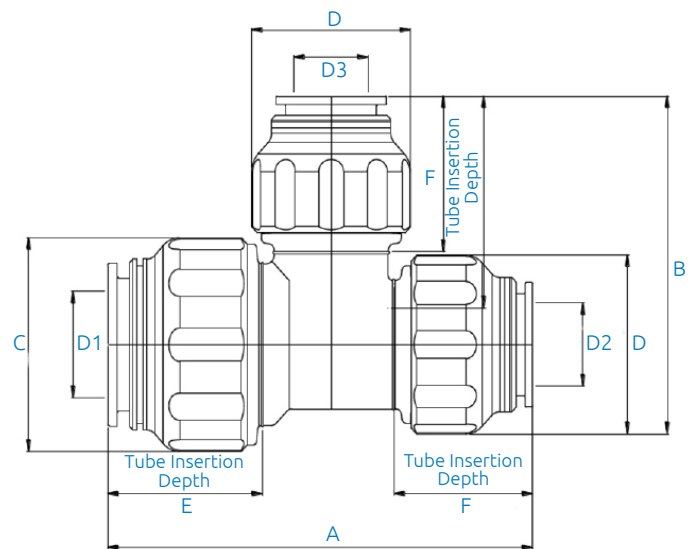
NO	Description	Materials
1	Body	Cross-Linked Polyethylene, White
2	Cap	Nylon, White
3	Collet	Celcon, White
4	O-Ring	EPDM, Black
5	Insert Ring	Acetal, Blue
6	Body Ring	Acetal, Blue

Technical Data

- Working Press@ Temp
 - 17 Bar @ 23°C
 - 10 Bar @ 65°C
 - 6 Bar @ 95°C
 - 3 Bar @ 105°C

Applicable Standards

- WRAS approved
- IGC 188-2009
- ASSE1061-2011
- NSF/ANSI- 14,61&372-2015
- Not suitable for hot water re-circulation systems



Product Codes and Dimensions

STOCK NO.	D1 (mm)	D2 (mm)	D3 (mm)	A (mm)	B (mm)	C (mm)	D (mm)	E (mm)	F (mm)
36056	22	15	15	91.5	67	39	32	37	30
36057	28	22	22	112	79	50.2	39	41	37

Polybutylene Push-fit Reducing Ends Tee

PBF 34



Features & Benefits

- 50 Year warranty
- Labour savings of 40%
- All white plastic system
- Twist and Lock push fittings
- Visible Connection
- Strong Stainless Grip Ring
- Permanent anti-leak system
- No tools required

Material Specifications

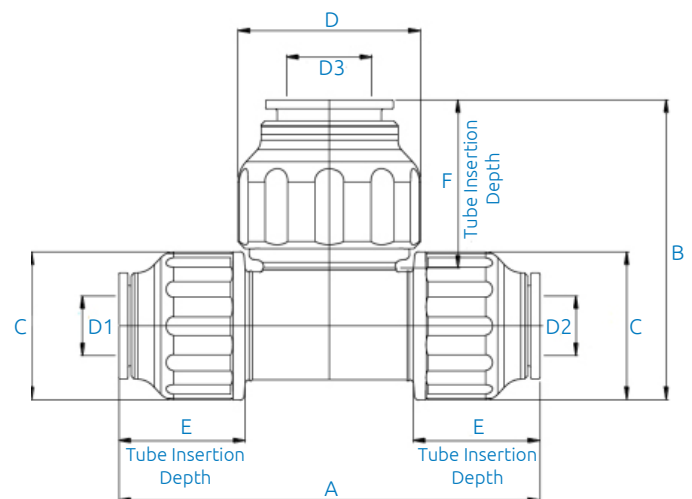
NO	Description	Materials
1	Body	Cross-Linked Polyethylene, White
2	Cap	Nylon, White
3	Collet	Celcon, White
4	O-Ring	EPDM, Black
5	Insert Ring	Acetal, Blue
6	Body Ring	Acetal, Blue

Technical Data

- Working Press@ Temp
 - 17 Bar @ 23°C
 - 10 Bar @ 65°C
 - 6 Bar @ 95°C
 - 3 Bar @ 105°C

Applicable Standards

- WRAS approved
- IGC 188-2009
- ASSE1061-2011
- NSF/ANSI- 14,61&372-2015
- Not suitable for hot water re-circulation systems



Product Codes and Dimensions

STOCK NO.	D1 (mm)	D2 (mm)	D3 (mm)	A (mm)	B (mm)	C (mm)	D (mm)	E (mm)	F (mm)
36058	15	15	22	97	65	32	39	30	37

Polybutylene Push-fit Reducing Spigot Tee

PBF 36



Technical Data

- Working Press@ Temp
 - 17 Bar @ 23°C
 - 10 Bar @ 65°C
 - 6 Bar @ 95°C
 - 3 Bar @ 105°C

Applicable Standards

- WRAS approved
- IGC 188-2009
- ASSE1061-2011
- NSF/ANSI- 14,61&372-2015
- Not suitable for hot water re-circulation systems

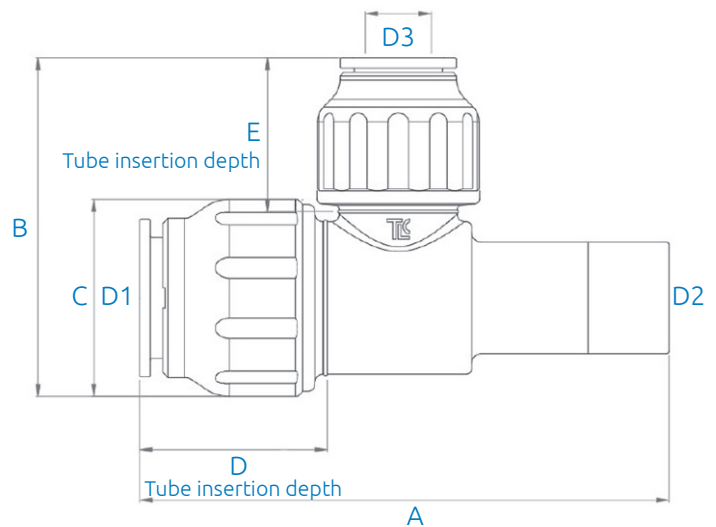


Features & Benefits

- 50 Year warranty
- All white plastic system
- Twist and Lock push fittings
- Visible Connection
- Strong Stainless Grip Ring
- Permanent anti-leak system
- No tools required
- Labour savings of 40%

Material Specifications

NO	Description	Materials
1	Body	Cross-Linked Polyethylene, White
2	Cap	Nylon, White
3	Collet	Celcon, White
4	O-ring	EPDM, Black
5	Insert ring	Acetal, Blue
6	Body ring	Acetal, Blue



Versions and Dimensions

STOCK NO.	D1 (mm)	D2 (mm)	D3 (mm)	A (mm)	B (mm)	C (mm)	D (mm)	E (mm)
36055	22	22	15	105	67	39	37	30

Polybutylene Push-fit Female Iron Coupler

PBF 46



Features & Benefits

- 50 Year warranty
- Labour savings of 40%
- All white plastic system
- Twist and Lock push fittings
- Visible Connection
- Strong Stainless Grip Ring
- Permanent anti-leak system
- No tools required

Material Specifications

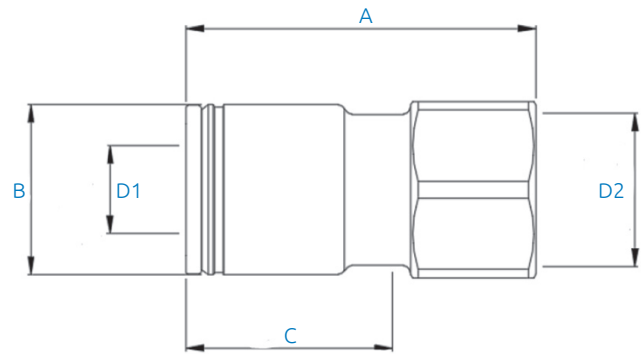
NO	Description	Materials
1	Body	Brass
2	Collet	Celcon, White
3	Insert Ring	Acetal, White
4	Nut Gasket	EPDM, Black
5	O-Ring	EPDM, Black

Technical Data

- Working Press@ Temp
 - 17 Bar @ 23°C
 - 10 Bar @ 65°C
 - 6 Bar @ 95°C
 - 3 Bar @ 105°C

Applicable Standards

- WRAS approved
- IGC 188-2009
- ASSE1061-2011
- NSF/ANSI- 14,61&372-2015
- Not suitable for hot water re-circulation systems



Product Codes and Dimensions

STOCK NO.	D1	D2 (BSPP)	A (mm)	B (mm)	C (mm)
36076	15	1/2"	47.6	23.2	28.1
36077	22	3/4"	55.4	31	33.4

Polybutylene Push-fit Stop End PBF 55



Features & Benefits

- 50 Year warranty
- Labour savings of 40%
- All white plastic system
- Twist and Lock push fittings
- Visible Connection
- Strong Stainless Grip Ring
- Permanent anti-leak system
- No tools required

Material Specifications

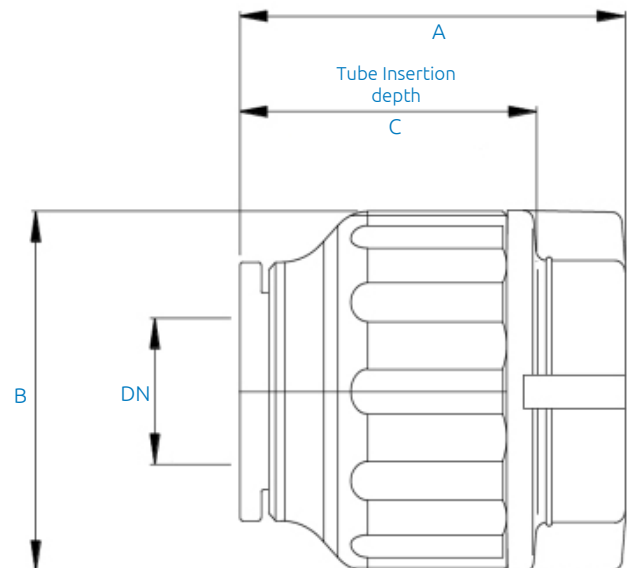
NO	Description	Materials
1	Body	Polysulfone, White
2	Cap	Nylon, White
3	Collet	Celcon, White
4	O-Ring	EPDM, Black
5	Insert Ring	Acetal, Blue
6	Body Ring	Acetal, Blue

Technical Data

- Working Press@ Temp
 - 17 Bar @ 23°C
 - 10 Bar @ 65°C
 - 6 Bar @ 95°C
 - 3 Bar @ 105°C

Applicable Standards

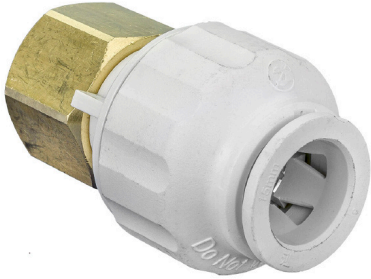
- WRAS approved
- IGC 188-2009
- ASSE1061-2011
- NSF/ANSI- 14,61&372-2015
- Not suitable for hot water re-circulation systems



Product Codes and Dimensions

STOCK NO.	DN	A (mm)	B (mm)	C (mm)
36083	15	39	32	30
36084	22	44	39	37
36085	28	50	50.2	41

Polybutylene Push-fit Straight Tap Connector PBF 62



Technical Data

- Working Press@ Temp
 - 17 Bar @ 23°C
 - 10 Bar @ 65°C
 - 6 Bar @ 95°C
 - 3 Bar @ 105°C

Applicable Standards

- WRAS approved
- IGC 188-2009
- ASSE1061-2011
- NSF/ANSI- 14,61&372-2015
- Not suitable for hot water re-circulation systems

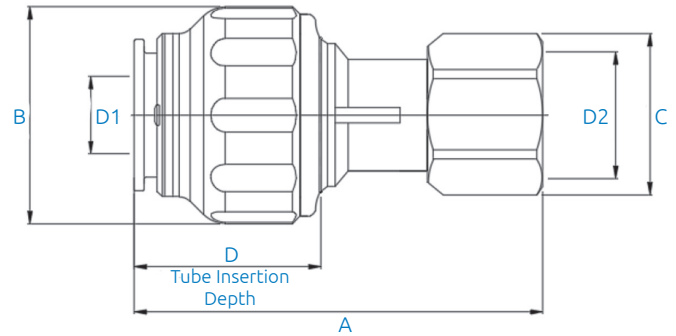


Features & Benefits

- 50 Year warranty
- Labour savings of 40%
- All white plastic system
- Twist and Lock push fittings
- Visible Connection
- Strong Stainless Grip Ring
- Permanent anti-leak system
- No tools required

Material Specifications

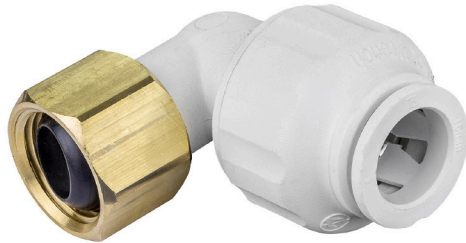
NO	Description	Materials
1	Body	Polysulfone, White
2	Cap	Nylon, White
3	Collet	Celcon, White
4	Snap Ring	Acetal, White
5	O-Ring	EPDM, Black
6	Insert Ring	Acetal, Blue
7	Body Ring	Acetal, Blue
8	Nut	Brass



Product Codes and Dimensions

STOCK NO.	D1	D2 (BSPP)	A (mm)	B (mm)	C (mm)	D (mm)
36066	15	1/2"	55	32	28	30
36067	22	3/4"	78	39	31	37
36068	15	3/4"	59	32	31	30

Polybutylene Push-fit Bent Tap Connector PBF 63



Technical Data

- Working Press@ Temp
 - 17 Bar @ 23°C
 - 10 Bar @ 65°C
 - 6 Bar @ 95°C
 - 3 Bar @ 105°C

Applicable Standards

- WRAS approved
- IGC 188-2009
- ASSE1061-2011
- NSF/ANSI- 14,61&372-2015
- Not suitable for hot water re-circulation systems

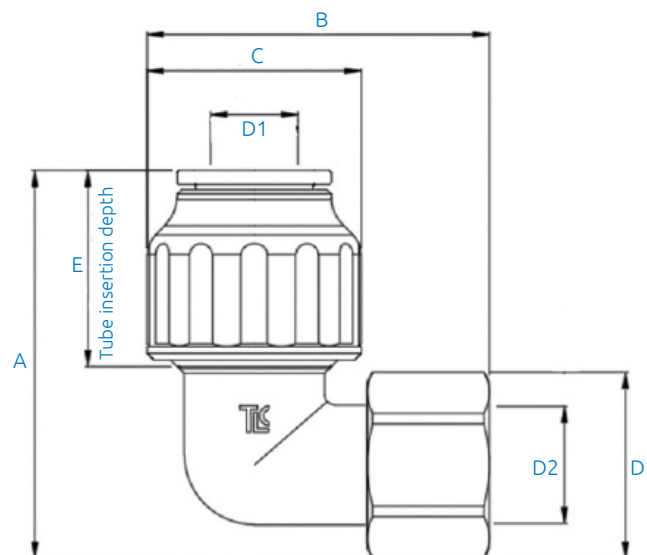


Features & Benefits

- 50 Year warranty
- Labour savings of 40%
- All white plastic system
- Twist and Lock push fittings
- Visible Connection
- Strong Stainless Grip Ring
- Permanent anti-leak system
- No tools required

Material Specifications

NO	Description	Materials
1	Body	Polysulfone, White
2	Cap	Nylon, White
3	Collet	Celcon, White
4	Snap Ring	Acetal, White
5	O-Ring	EPDM, Black
6	Insert Ring	Acetal, Blue
7	Body Ring	Acetal, Blue
8	Nut	Brass



Product Codes and Dimensions

STOCK NO.	D1	D2 (BSPP)	A (mm)	B (mm)	C (mm)	D (mm)	E (mm)
36072	15	½"	57	51.5	32	28	30

Polybutylene Push-fit Tank Connector

PBF 64



Features & Benefits

- 50 Year warranty
- Labour savings of 40%
- Twist and Lock push fittings
- Visible Connection
- Strong Stainless Grip Ring
- Permanent anti-leak system
- No tools required

Material Specifications

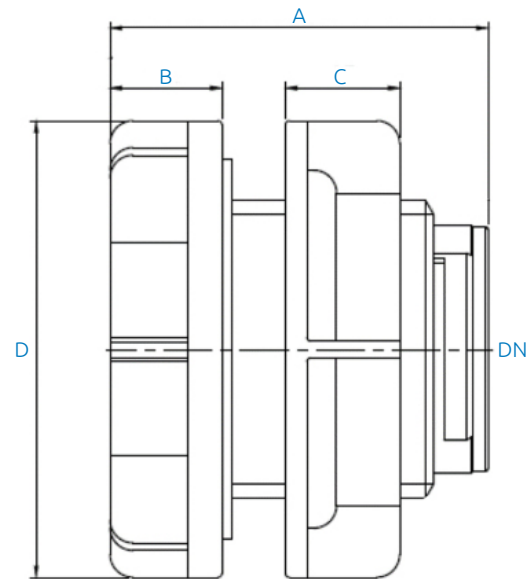
NO	Description	Materials
1	Body	POM
2	Cap	POM
3	Collet	POM & SUS
4	O-Ring	NBR & EPDM
5	Colour	Black

Technical Data

- Working Press@ Temp
 - 11 Bar @ 20°C
 - 7 Bar @ 65°C
- Maximum Permissible Torque Plastic - 3.0 Nm

Applicable Standards

- Comply to ISO 9001 /14001
- WRAS
- SK ZERT(SK380-001)
- NSF/ANSI-51
- NSF/ANSI-61
- FDA
- ETA DANMARK
- Not suitable for hot water re-circulation systems



Product Codes and Dimensions

STOCK NO.	DN	A (mm)	B (mm)	C (mm)	D (mm)
36063	15	43	14.7	12	51
36064	22	49.7	14.7	15	60

Polybutylene Push-fit Insert PBF 75



Technical Data

- Working Press@ Temp
 - 17 Bar @ 23°C
 - 10 Bar @ 65°C
 - 6 Bar @ 95°C
 - 3 Bar @ 105°C

Applicable Standards

- WRAS approved
- IGC 188-2009
- ASSE1061-2011
- NSF/ANSI- 14,61&372-2015
- Not suitable for hot water re-circulation systems

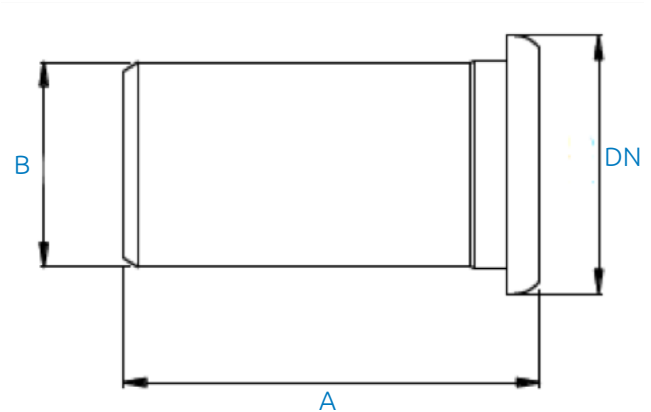


Features & Benefits

- 50 Year warranty
- Labour savings of 40%
- All white plastic system
- Twist and Lock push fittings
- Visible Connection
- Strong Stainless Grip Ring
- Permanent anti-leak system
- No tools required

Material Specifications

NO	Description	Materials
1	Body	Polypropylene
2	Colour	White



Product Codes and Dimensions

STOCK NO.	DN	A (mm)	B (mm)
36096	15	26	12
36097	22	26	18
36098	28	36	22.5