

## Features and Benefits

- For use with Brymec Stainless Steel Press Fittings
- Dust Covers
- Exceptional corrosion resistance
- WRAS Approved
- Operating temperature -20°C ~ +120°C
- Brymec 30 year warranty

## Applicable Standards

- Our welded stainless steel tubes are manufactured in accordance with the EN 10312 and EN 10.217-7 standards. This meets the 1.4404/1.4301 AISI 316L/AISI 304 standard under UNE EN 10088.
- The tubes comply with DVGW W541 specifications



## Product Codes and Dimensions

Stock No.	Size	Length	Wall Thickness	Weight (Kg/m)	Water Capacity (l/m)	Max Tube Pressure (Bar)	Max Fitting Pressure(Bar)
39300	15mm	3m	0.6mm	0.216	0.133	88	40
39301	22mm	3m	0.7mm	0.322	0.302	70	40
39302	28mm	3m	0.8mm	0.479	0.514	63	40
39303	35mm	3m	1.0mm	0.685	0.804	63	25
39304	42mm	3m	1.1mm	1.027	1.194	63	25
39305	54mm	3m	1.2mm	1.587	2.042	49	25
39306	76mm	3m	1.5mm	2.802	4.082	40	16
39359	89mm	3m	2.0mm	4.286	5.661	49	16
39307	108mm	3m	2.0mm	5.223	8.494	40	16
39100	15mm	6m	0.6mm	0.216	0.133	88	40
39101	22mm	6m	0.7mm	0.322	0.302	70	40
39102	28mm	6m	0.8mm	0.479	0.514	63	40
39103	35mm	6m	1.0mm	0.685	0.804	63	25
39104	42mm	6m	1.1mm	1.027	1.194	63	25
39105	54mm	6m	1.2mm	1.587	2.042	49	25
39106	76mm	6m	1.5mm	2.802	4.082	40	16
39109	89mm	6m	2.0mm	4.286	5.661	49	16
39107	108mm	6m	2.0mm	5.223	8.494	40	16

# Stainless Press Coupling

## MSP01



### Technical Data

- Operating temperature -20°C ~ +120°C
- 316L Stainless Steel fitting
- EPDM Sealing ring
- "M" Profile Press Jaws or slings
- Approved tools include Novapress, REMS, Rothenberger and Ridgid
- Max Working Pressure
  - 15mm - 28mm : 40 bar
  - 35mm - 54mm : 25bar
  - 76mm - 108mm 16 bar

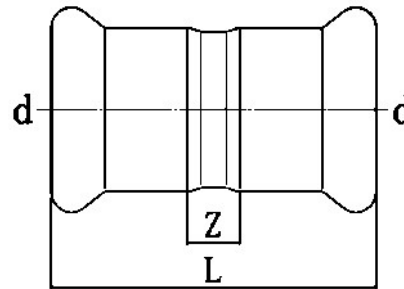


### Features and Benefits

- Suitable for Potable water, Cooling systems, Industrial applications
- High grade Stainless Steel is extremely durable and corrosion resistant
- Blue plastic film which will fall off when crimped for easy identification of pressed joint
- Dust covers
- 30 Year Warranty

### Applicable Standards

- WRAS Approved
- 316L grade stainless steel fitting
- DVGW-W534



### Material Specifications

Description	Materials
Body	316L Stainless Steel
Crimp indicator film	PVC, Blue
O-Ring	EPDM
Dust Cap	PE

### Product Codes and Dimensions

STOCK NO.	D (mm)	L (mm)	Z (mm)
29439	15	48	8
29440	22	50	8
29441	28	54	8
29442	35	62	10
29443	42	71	11
29444	54	83	13
29445	76	141	35
29446	89	162	42
29447	108	194	44

# Stainless Press Fitting Reducer MSP03



## Features and Benefits

- Suitable for Potable water, Cooling systems, Industrial applications
- High grade Stainless Steel is extremely durable and corrosion resistant
- Blue plastic film which will fall off when crimped for easy identification of pressed joint
- Dust covers
- 30 Year Warranty

## Material Specifications

Description	Materials
Body	316L Stainless Steel
Crimp indicator film	PVC, Blue
O-Ring	EPDM
Dust Cap	PE

## Product Codes and Dimensions

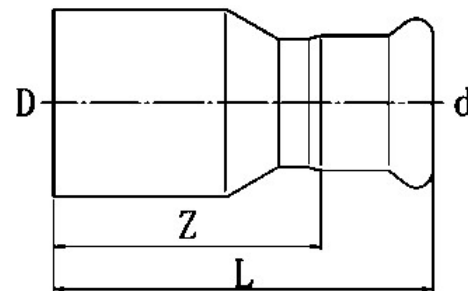
STOCK NO.	D (mm)	d (mm)	L (mm)	Z (mm)
29459	22	15	62	42
29460	28	15	63	43
29461	28	22	66	45
29462	35	22	68	47
29463	35	28	76	53
29464	42	22	84	63
29465	42	28	82	59
29466	42	35	80	54
29467	54	28	98	75
29468	54	35	96	70
29469	54	42	102	72
29470	76	54	145	110
29471	89	54	147	112
29472	89	76	161	108
29473	108	54	162	127
29474	108	76	176	123
29475	108	89	203	143

## Technical Data

- Operating temperature -20°C ~ +120°C
- 316L Stainless Steel fitting
- EPDM Sealing ring
- "M" Profile Press Jaws or slings
- Approved tools include Novapress, REMS, Rothenberger and Ridgid
- Max Working Pressure
  - 15mm - 28mm : 40 bar
  - 35mm - 54mm : 25 bar
  - 76mm - 108mm : 16 bar

## Applicable Standards

- WRAS Approved
- 316L grade stainless steel fitting
- DVGW-W534



# Stainless Press Slip Coupling

## MSP05



### Features and Benefits

- Suitable for Potable water, Cooling systems, Industrial applications
- High grade Stainless Steel is extremely durable and corrosion resistant
- Blue plastic film which will fall off when crimped for easy identification of pressed joint
- Dust covers
- 30 Year Warranty

### Material Specifications

Description	Materials
Body	316L Stainless Steel
Crimp indicator film	PVC, Blue
O-Ring	EPDM
Dust Cap	PE

### Product Codes and Dimensions

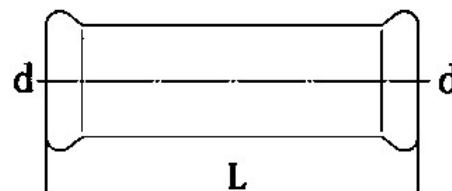
STOCK NO.	d (mm)	L (mm)
29448	15	67
29449	22	73
29450	28	83
29451	35	98
29452	42	115
29453	54	138
29454	76	229
29455	89	263
29456	108	313

### Technical Data

- Operating temperature -20°C ~ +120°C
- 316L Stainless Steel fitting
- EPDM Sealing ring
- "M" Profile Press Jaws or slings
- Approved tools include Novapress, REMS, Rothenberger and Ridgid
- Max Working Pressure
  - 15mm - 28mm : 40bar
  - 35mm - 54mm : 25bar
  - 76mm - 108mm : 16bar

### Applicable Standards

- WRAS Approved
- 316L grade stainless steel fitting
- DVGW-W534



# Stainless Press 90 FF Bend MSP10



## Features and Benefits

- Suitable for Potable water, Cooling systems, Industrial applications
- High grade Stainless Steel is extremely durable and corrosion resistant
- Blue plastic film which will fall off when crimped for easy identification of pressed joint
- Dust covers
- 30 Year Warranty

## Material Specifications

Description	Materials
Body	316L Stainless Steel
Crimp indicator film	PVC, Blue
O-Ring	EPDM
Dust Cap	PE

## Product Codes and Dimensions

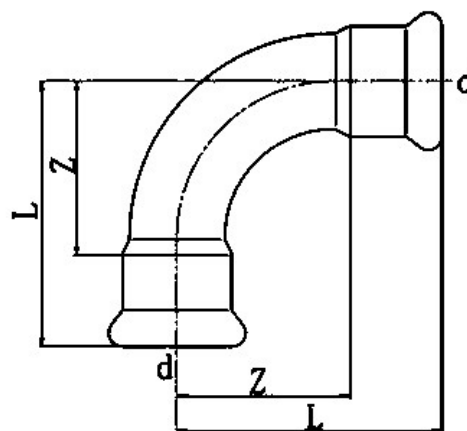
STOCK NO.	d (mm)	L (mm)	Z (mm)
29317	15	43	23
29318	22	53	32
29319	28	64	41
29320	35	78	52
29321	42	90	60
29322	54	110	75
29323	76	157	104
29324	89	178	118
29325	108	215	140

## Technical Data

- Operating temperature -20°C ~ +120°C
- 316L Stainless Steel fitting
- EPDM Sealing ring
- "M" Profile Press Jaws or slings
- Approved tools include Novapress, REMS, Rothenberger and Ridgid
- Max Working Pressure
  - 15mm - 28mm : 40 bar
  - 35mm - 54mm : 25 bar
  - 76mm - 108mm : 16 bar

## Applicable Standards

- WRAS Approved
- 316L grade stainless steel fitting
- DVGW-W534



# Stainless Press Coupling

## F x F 45° Elbow

### MSP11



### Features and Benefits

- Suitable for Potable water, Cooling systems, Industrial applications
- High grade Stainless Steel is extremely durable and corrosion resistant
- Blue plastic film which will fall off when crimped for easy identification of pressed joint
- Dust covers
- 30 Year Warranty

### Material Specifications

Description	Materials
Body	316L Stainless Steel
Crimp indicator film	PVC, Blue
O-Ring	EPDM
Dust Cap	PE

### Product Codes and Dimensions

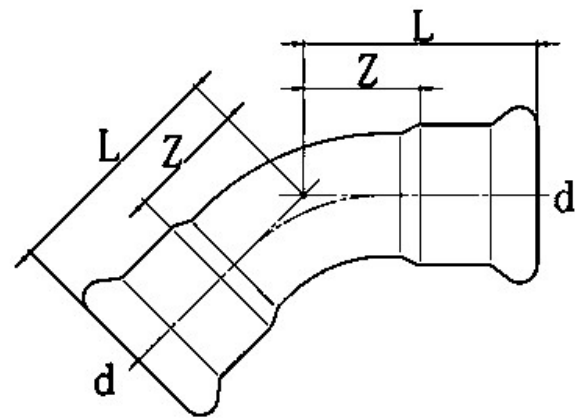
STOCK NO.	d (mm)	L (mm)	Z (mm)
29346	15	32	12
29347	22	38	18
29348	28	42	22
29349	35	52	28
29350	42	60	30
29351	54	72	37
29353	76	102	49
29354	89	115	55
29355	108	142	67

### Technical Data

- Operating temperature -20°C ~ +120°C
- 316L Stainless Steel fitting
- EPDM Sealing ring
- "M" Profile Press Jaws or slings
- Approved tools include Novapress, REMS, Rothenberger and Ridgid
- Max Working Pressure
  - 15 – 28mm : 40 bar
  - 35 – 54mm : 25 bar
  - 76 – 108mm : 16 bar

### Applicable Standards

- WRAS Approved
- 316L grade stainless steel fitting
- DVGW-W534



# Stainless Press 90 MF Elbow MSP12



## Technical Data

- Operating temperature -20°C ~ +120°C
- 316L Stainless Steel fitting
- EPDM Sealing ring
- "M" Profile Press Jaws or slings
- Approved tools include Novapress, REMS, Rothenberger and Ridgid
- Max Working Pressure
  - 15mm - 28mm : 40 bar
  - 35mm - 54mm : 25 bar
  - 76mm - 108mm : 16 bar

## Features and Benefits

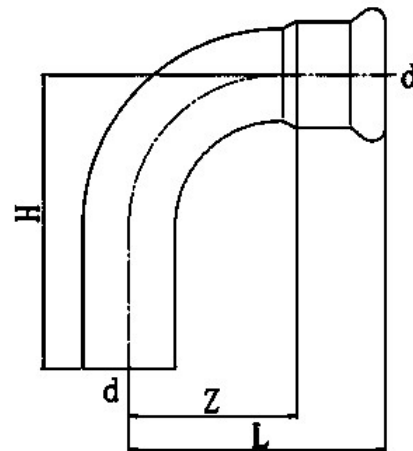
- Suitable for Potable water, Cooling systems, Industrial applications
- High grade Stainless Steel is extremely durable and corrosion resistant
- Blue plastic film which will fall off when crimped for easy identification of pressed joint
- Dust covers
- 30 Year Warranty

## Applicable Standards

- WRAS Approved
- 316L grade stainless steel fitting
- DVGW-W534

## Material Specifications

Description	Materials
Body	316L Stainless Steel
Crimp indicator film	PVC, Blue
O-Ring	EPDM
Dust Cap	PE



## Product Codes and Dimensions

STOCK NO.	d (mm)	L (mm)	H (mm)	Z (mm)
29308	15	43	49	23
29309	22	53	57	32
29310	28	64	71	41
29311	35	78	90	52
29312	42	90	102	60
29313	54	110	122	75
29314	76	157	173	104
29315	89	178	199	118
29316	108	215	235	140

# Stainless Press 45 MxF Bend



## Technical Data

- Operating temperature -20°C ~ +120°C
- 316L Stainless Steel fitting
- EPDM Sealing ring
- "M" Profile Press Jaws or slings
- Approved tools include Novapress, REMS, Rothenberger and Ridgid
- Max Working Pressure
  - 15mm - 28mm : 40 bar
  - 35mm - 54mm : 25 bar
  - 76mm - 108mm : 16 bar

## Features and Benefits

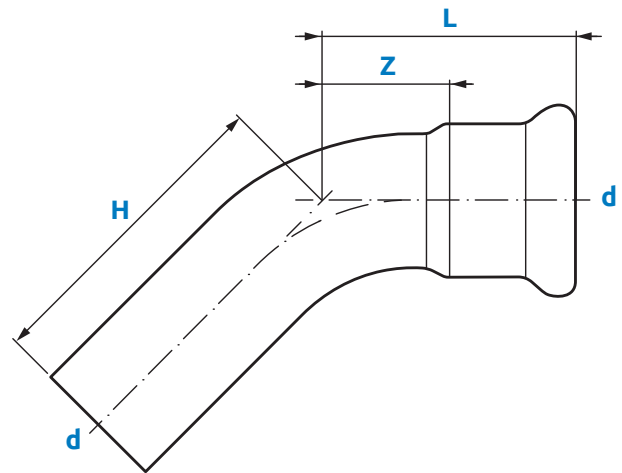
- Suitable for Potable water, Cooling systems, Industrial applications
- High grade Stainless Steel is extremely durable and corrosion resistant
- Blue plastic film which will fall off when crimped for easy identification of pressed joint
- Dust covers
- 30 Year Warranty

## Material Specifications

Description	Materials
Body	316L Stainless Steel
Crimp indicator film	PVC, Blue
O-Ring	EPDM
Dust Cap	PE

## Applicable Standards

- WRAS Approved
- 316L grade stainless steel fitting
- DVGW-W534



## Product Codes and Dimensions

STOCK NO.	d (mm)	L (mm)	H (mm)	Z (mm)
29336	15	32	43	12
29337	22	38	52	18
29338	28	42	56	22
29339	35	52	62	28
29340	42	60	72	30
29341	54	72	84	37
29343	76	102	120	49
29344	89	115	134	55
29345	108	142	163	67



# Stainless Press Equal Tee MSP30



## Features and Benefits

- Suitable for Potable water, Cooling systems, Industrial applications
- High grade Stainless Steel is extremely durable and corrosion resistant
- Blue plastic film which will fall off when crimped for easy identification of pressed joint
- Dust covers
- 30 Year Warranty

## Material Specifications

Description	Materials
Body	316L Stainless Steel
Crimp indicator film	PVC, Blue
O-Ring	EPDM
Dust Cap	PE

## Product Codes and Dimensions

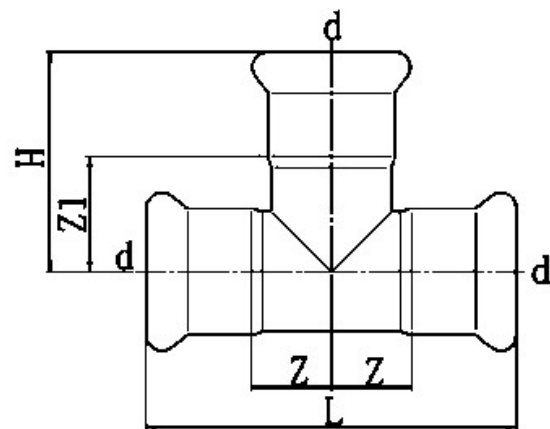
STOCK NO.	d (mm)	L (mm)	H (mm)	Z (mm)	Z1 (mm)
29376	15	66	39	13	19
29377	22	74	44	16	23
29378	28	84	52	19	29
29379	35	100	57	27	31
29380	42	114	66	27	36
29381	54	138	77	34	42
29382	76	230	111	62	58
29383	89	260	128	70	68
29384	108	310	156	75	81

## Technical Data

- Operating temperature -20°C ~ +120°C
- 316L Stainless Steel fitting
- EPDM Sealing ring
- "M" Profile Press Jaws or slings
- Approved tools include Novapress, REMS, Rothenberger and Ridgid
- Max Working Pressure
  - 15mm - 28mm : 40 bar
  - 35mm - 54mm : 25 bar
  - 76mm - 108mm : 16 bar

## Applicable Standards

- WRAS Approved
- 316L grade stainless steel fitting
- DVGW-W534



# Stainless Press Reducing Tee

## MSP31



### Features and Benefits

- Suitable for Potable water, Cooling systems, Industrial applications
- High grade Stainless Steel is extremely durable and corrosion resistant
- Blue plastic film which will fall off when crimped for easy identification of pressed joint
- Dust covers
- 30 Year Warranty

### Material Specifications

Description	Materials
Body	316L Stainless Steel
Crimp indicator film	PVC, Blue
O-Ring	EPDM
Dust Cap	PE

### Product Codes and Dimensions

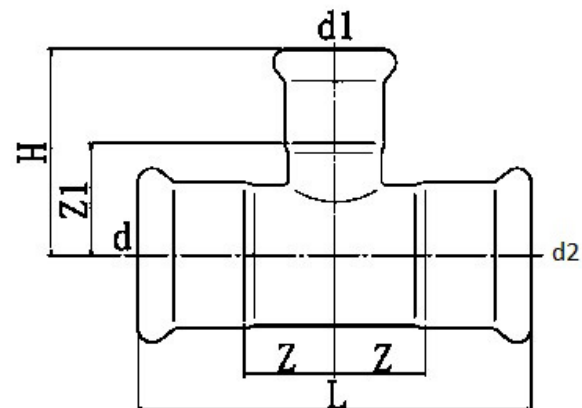
STOCK NO	d (mm)	d1 (mm)	d2 (mm)	L (mm)	Z (mm)	H (mm)	Z1 (mm)
29385	22	15	15	74	16	42	22
29386	22	15	22	74	16	42	22
29387	28	15	28	84	19	45	25
29388	28	22	22	84	19	47	26
29389	28	22	28	84	19	47	26
29390	35	15	35	100	24	49	29
29391	35	22	35	100	24	51	30
29392	35	28	35	100	24	56	33
29393	42	22	42	114	27	55	34
29394	42	28	42	114	27	60	37
29395	42	35	42	114	27	61	34
29396	54	22	54	138	34	61	40
29397	54	28	54	138	34	66	43
29398	54	35	54	138	34	67	40

### Technical Data

- Operating temperature -20°C ~ +120°C
- 316L Stainless Steel fitting
- EPDM Sealing ring
- "M" Profile Press Jaws or slings
- Approved tools include Novapress, REMS, Rothenberger and Ridgid
- Max Working Pressure
  - 15mm - 28mm : 40 bar
  - 35mm - 54mm : 25 bar
  - 76mm - 108mm : 16 bar

### Applicable Standards

- WRAS Approved
- 316L grade stainless steel fitting
- DVGW-W534



## Product Codes and Dimensions

STOCK NO	d (mm)	d1 (mm)	d2 (mm)	L (mm)	Z (mm)	H (mm)	Z1 (mm)
29399	54	42	54	138	34	72	38
29400	76	22	76	230	62	71	50
29401	76	28	76	230	62	76	53
29402	76	35	76	230	62	77	50
29403	76	42	76	230	62	82	48
29404	76	54	76	230	62	87	53
29405	89	22	89	260	70	78	58
29406	89	28	89	260	70	83	61
29407	89	35	89	260	70	84	58
29408	89	42	89	260	70	89	58
29409	89	54	89	260	70	94	63
29410	89	76	89	260	70	118	69
29411	108	22	108	310	80	90	73
29412	108	28	108	310	80	95	76
29413	108	35	108	310	80	96	69
29414	108	42	108	310	80	101	67
29415	108	54	108	310	80	106	71
29416	108	76	108	310	80	130	77
29417	108	89	108	310	80	140	80

# Stainless Press Female Female Iron Tee MSP35



## Features and Benefits

- Suitable for Potable water, Cooling systems, Industrial applications
- High grade Stainless Steel is extremely durable and corrosion resistant
- Blue plastic film which will fall off when crimped for easy identification of pressed joint
- Dust covers
- 30 Year Warranty

## Material Specifications

Description	Materials
Body	316L Stainless Steel
Crimp indicator film	PVC, Blue
O-Ring	EPDM
Dust Cap	PE

## Product Codes and Dimensions

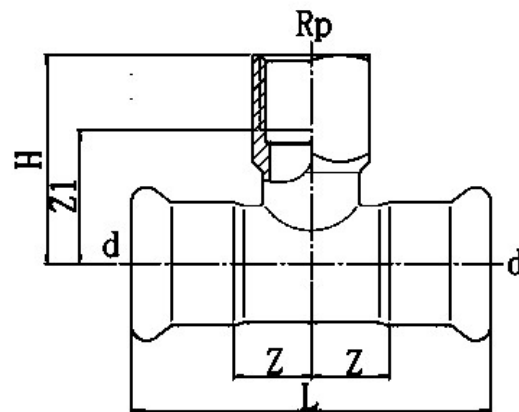
STOCK NO	d (mm)	Rp (mm)	L (mm)	H (mm)	Z (mm)	Z1 (mm)
29418	15	1/2"	66	38	13	24
29419	22	1/2"	74	42	16	28
29420	22	3/4"	74	45	16	30
29421	28	1/2"	84	45	19	31
29422	28	3/4"	84	47	19	32
29423	28	1"	84	52	19	36
29424	35	1/2"	100	49	24	34
29425	35	3/4"	100	51	24	36
29426	35	1 1/4"	100	57	24	37
29427	42	1/2"	114	53	27	39
29428	42	3/4"	114	54	27	39
29429	42	1 1/2"	114	60	27	40

## Technical Data

- Operating temperature -20°C ~ +120°C
- 316L Stainless Steel fitting
- EPDM Sealing ring
- "M" Profile Press Jaws or slings
- Approved tools include Novapress, REMS, Rothenberger and Ridgid
- Max Working Pressure
  - 15mm - 28mm : 40 bar
  - 35mm - 54mm : 25 bar
  - 76mm - 108mm : 16 bar

## Applicable Standards

- WRAS Approved
- 316L grade stainless steel fitting
- DVGW-W534



## Product Codes and Dimensions

STOCK NO	d (mm)	Rp (mm)	L (mm)	H (mm)	Z (mm)	Z1 (mm)
29430	54	1/2"	138	58	34	44
29431	54	3/4"	138	60	34	45
29432	54	2"	138	78	34	54
29433	76	3/4"	230	70	62	55
29434	76	2"	230	88	62	64
29435	89	3/4"	260	78	70	62
29436	89	2"	260	96	70	71
29437	108	3/4"	310	86	80	71
29438	108	2"	310	104	80	79

# Stainless Press Male Iron Adaptor MSP45



## Features and Benefits

- Suitable for Potable water, Cooling systems, Industrial applications
- High grade Stainless Steel is extremely durable and corrosion resistant
- Blue plastic film which will fall off when crimped for easy identification of pressed joint
- Dust covers
- 30 Year Warranty

## Material Specifications

Description	Materials
Body	316L Stainless Steel
Crimp indicator film	PVC, Blue
O-Ring	EPDM
Dust Cap	PE

## Product Codes and Dimensions

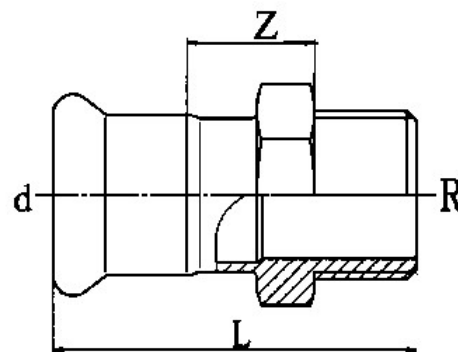
STOCK NO	d (mm)	R (mm)	L (mm)	Z (mm)
29477	15	1/2"	54	19
29478	15	3/4"	58	20
29479	22	1/2"	56	20
29480	22	3/4"	60	23
29481	22	1"	63	23
29482	28	3/4"	65	25
29483	28	1"	68	26
29484	35	1"	69	24
29485	35	1 1/4"	71	24
29486	42	1 1/2"	76	28
29487	54	2"	90	28
29488	76	2 1/2"	120	35
29489	89	3"	132	37
29490	108	4"	157	42

## Technical Data

- Operating temperature -20°C ~ +120°C
- 316L Stainless Steel fitting
- EPDM Sealing ring
- "M" Profile Press Jaws or slings
- Approved tools include Novapress, REMS, Rothenberger and Ridgid
- Max Working Pressure
  - 15mm - 28mm : 40 bar
  - 35mm - 54mm : 25 bar
  - 76mm - 108mm : 16 bar

## Applicable Standards

- WRAS Approved
- 316L grade stainless steel fitting
- DVGW-W534



# Stainless Press Female Iron Adaptor MSP46



## Technical Data

- Operating temperature -20°C ~ +120°C
- 316L Stainless Steel fitting
- EPDM Sealing ring
- "M" Profile Press Jaws or slings
- Approved tools include Novapress, REMS, Rothenberger and Ridgid
- Max Working Pressure
  - 15mm - 28mm : 40 bar
  - 35mm - 54mm : 25 bar

## Features and Benefits

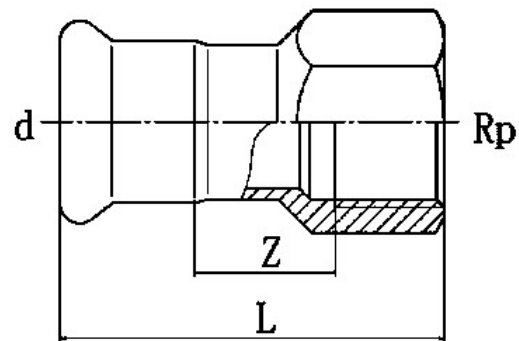
- Suitable for Potable water, Cooling systems, Industrial applications
- High grade Stainless Steel is extremely durable and corrosion resistant
- Blue plastic film which will fall off when crimped for easy identification of pressed joint
- Dust covers
- 30 Year Warranty

## Applicable Standards

- WRAS Approved
- 316L grade stainless steel fitting
- DVGW-W534

## Material Specifications

Description	Materials
Body	316L Stainless Steel
Crimp indicator film	PVC, Blue
O-Ring	EPDM
Dust Cap	PE



## Product Codes and Dimensions

STOCK NO	d	Rp	L	Z
29491	15	1/2"	55	20
29492	15	3/4"	59	21
29493	22	1/2"	58	24
29494	22	3/4"	61	25
29495	22	1"	66	26
29496	28	3/4"	65	26
29497	28	1"	70	28
29498	35	1 1/4"	72	25
29499	42	1 1/2"	77	26
29500	54	2"	94	34

# Stainless Press Male Iron Elbow MSP47



## Technical Data

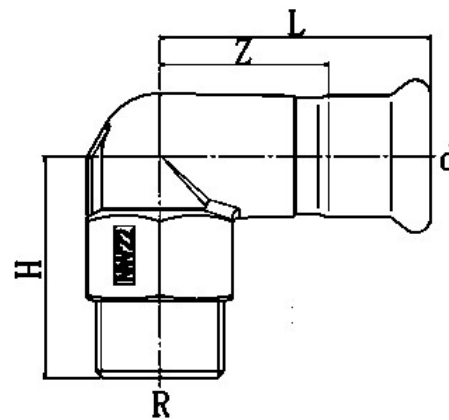
- Operating temperature -20°C ~ +120°C
- 316L Stainless Steel fitting
- EPDM Sealing ring
- "M" Profile Press Jaws or slings
- Approved tools include Novapress, REMS, Rothenberger and Ridgid
- Max Working Pressure
  - 15mm - 28mm : 40 bar
  - 35mm - 54mm : 25 bar

## Features and Benefits

- Suitable for Potable water, Cooling systems, Industrial applications
- High grade Stainless Steel is extremely durable and corrosion resistant
- Blue plastic film which will fall off when crimped for easy identification of pressed joint
- Dust covers
- 30 Year Warranty

## Applicable Standards

- WRAS Approved
- 316L grade stainless steel fitting
- DVGW-W534



## Material Specifications

Description	Materials
Body	316L Stainless Steel
Crimp indicator film	PVC, Blue
O-Ring	EPDM
Dust Cap	PE

## Product Codes and Dimensions

STOCK NO	d (mm)	R (mm)	L (mm)	H (mm)	Z (mm)
29370	15	1/2"	55	37	35
29371	22	3/4"	61	46	39
29372	28	1"	68	54	45
29373	35	1 1/4"	76	63	50
29374	42	1 1/2"	84	67	54
29375	54	2"	94	77	59



# Stainless Press Female Iron Elbow MSP48



## Technical Data

- Operating temperature -20°C ~ +120°C
- 316L Stainless Steel fitting
- EPDM Sealing ring
- "M" Profile Press Jaws or slings
- Approved tools include Novapress, REMS, Rothenberger and Ridgid
- Max Working Pressure
  - 15mm - 28mm : 40 bar
  - 35mm : 25 bar



## Features and Benefits

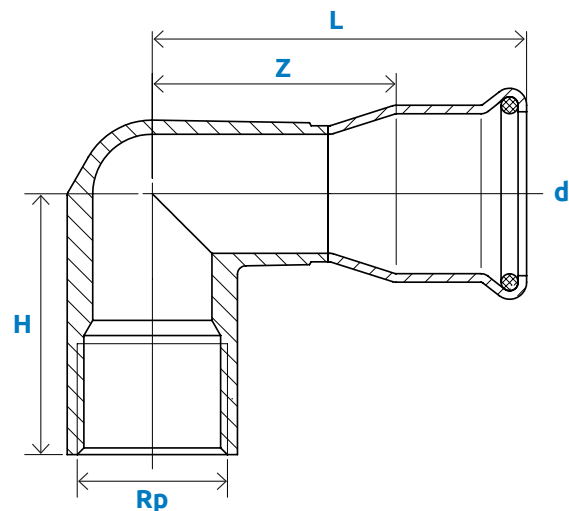
- Suitable for Potable water, Cooling systems, Industrial applications
- High grade Stainless Steel is extremely durable and corrosion resistant
- Blue plastic film which will fall off when crimped for easy identification of pressed joint
- Dust covers
- 30 Year Warranty

## Material Specifications

Description	Materials
Body	316L Stainless Steel
Crimp indicator film	PVC, Blue
O-Ring	EPDM
Dust Cap	PE

## Applicable Standards

- WRAS Approved
- 316L grade stainless steel fitting
- DVGW-W534



## Product Codes and Dimensions

STOCK NO	d (mm)	Rp (mm)	L (mm)	H (mm)	Z (mm)
29362	15	1/2"	55	37	35
29363	22	3/4"	61	46	39
29365	28	3/4"	66	46	43
29366	28	1"	68	54	45
29369	35	1 1/4"	76	63	50

# Stainless Plug-In Male Adapter



## Features and Benefits

- Suitable for Potable water, Cooling systems, Industrial applications
- High grade Stainless Steel is extremely durable and corrosion resistant
- Blue plastic film which will fall off when crimped for easy identification of pressed joint
- Dust covers
- 30 Year Warranty

## Material Specifications

Description	Materials
Body	316L Stainless Steel
Crimp indicator film	PVC, Blue
O-Ring	EPDM
Dust Cap	PE

## Product Codes and Dimensions

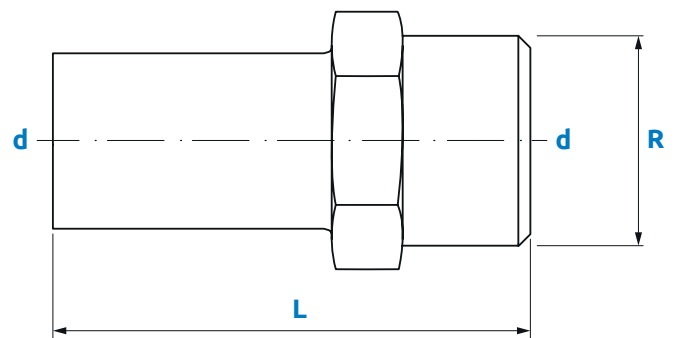
STOCK NO	d (mm)	R (mm)	L (mm)
29259	15	1/2"	52
29260	22	1/2"	55
29261	22	3/4"	59
29262	28	1"	66

## Technical Data

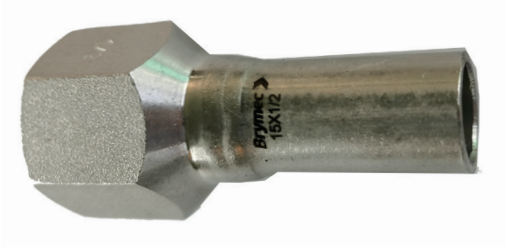
- Operating temperature -20°C ~ +120°C
- 316L Stainless Steel fitting
- EPDM Sealing ring
- "M" Profile Press Jaws or slings
- Approved tools include Novapress, REMS, Rothenberger and Ridgid
- Max Working Pressure
  - 15mm - 28mm : 40 bar

## Applicable Standards

- WRAS Approved
- 316L grade stainless steel fitting
- DVGW-W534



# Stainless Plug-In Female Adapter MSP50



## Technical Data

- Operating temperature -20°C ~ +120°C
- 316L Stainless Steel fitting
- EPDM Sealing ring
- "M" Profile Press Jaws or slings
- Approved tools include Novapress, REMS, Rothenberger and Ridgid
- Max Working Pressure
  - 15mm - 28mm : 40 bar

## Features and Benefits

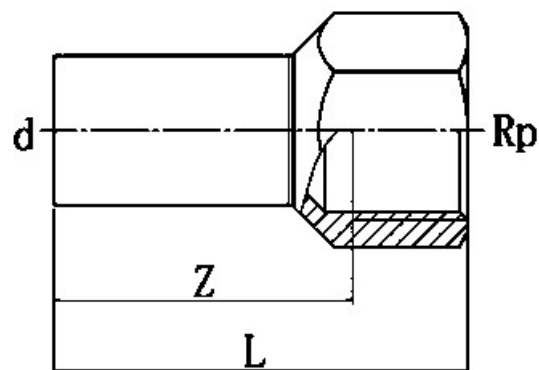
- Suitable for Potable water, Cooling systems, Industrial applications
- High grade Stainless Steel is extremely durable and corrosion resistant
- Blue plastic film which will fall off when crimped for easy identification of pressed joint
- Dust covers
- 30 Year Warranty

## Applicable Standards

- WRAS Approved
- 316L grade stainless steel fitting
- DVGW-W534

## Material Specifications

Description	Materials
Body	316L Stainless Steel
Crimp indicator film	PVC, Blue
O-Ring	EPDM
Dust Cap	PE



## Product Codes and Dimensions

STOCK NO	d (mm)	Rp (mm)	L (mm)	Z (mm)
29245	15	1/2"	55	40
29246	22	1/2"	58	43
29247	22	3/4"	60	43
29248	28	3/4"	63	46

# Stainless Press Wallplate Elbow Female MSP51



## Features and Benefits

- Suitable for Potable water, Cooling systems, Industrial applications
- High grade Stainless Steel is extremely durable and corrosion resistant
- Blue plastic film which will fall off when crimped for easy identification of pressed joint
- Dust covers
- 30 Year Warranty

## Material Specifications

Description	Materials
Body	316L Stainless Steel
Crimp indicator film	PVC, Blue
O-Ring	EPDM
Dust Cap	PE

## Product Codes and Dimensions

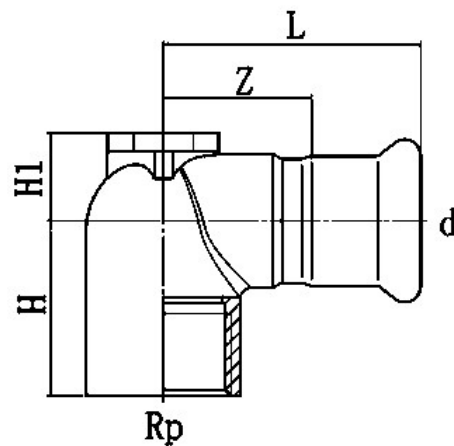
STOCK NO	d (Pipe Diameter mm)	Rp (mm)	L (mm)	H (mm)	H1 (mm)	Z (mm)
29531	15	1/2"	50	30	13	30
29532	22	3/4"	55	34	17	34

## Technical Data

- Operating temperature -20°C ~ +120°C
- 316L Stainless Steel fitting
- EPDM Sealing ring
- "M" Profile Press Jaws or slings
- Approved tools include Novapress, REMS, Rothenberger and Ridgid
- Max Working Pressure  
- 15mm - 22mm : 40 bar

## Applicable Standards

- WRAS Approved
- 316L grade stainless steel fitting
- DVGW-W534

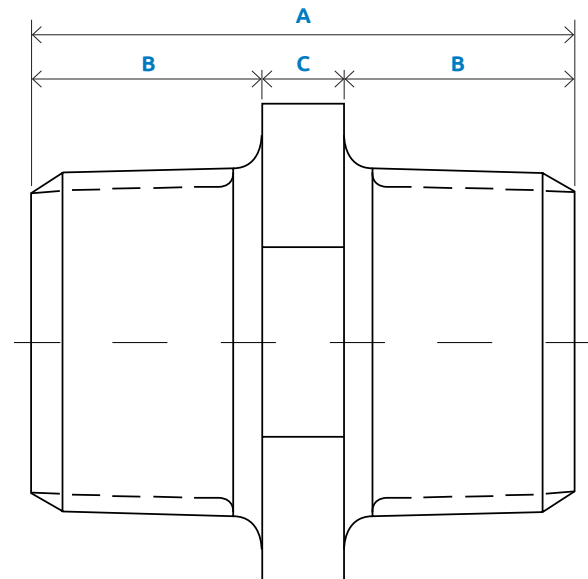


# Stainless Press Hex Nipple



## Technical Data

- Max. Pressure:
  - 15mm - 28mm : 40 bar
  - 35mm - 54mm : 25 bar



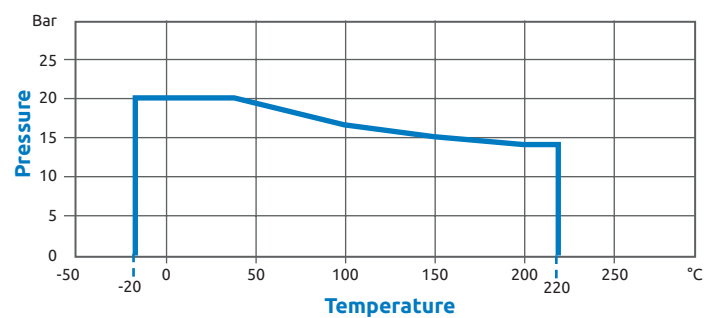
## Features and Benefits

- Made From CF8M (316) Stainless Steel material and conform to ISO 4144 standard.
- Threads are to BSP Taper (ISO 7/1) or NPT (ANSI B1.20.1).
- Material certificates available on request.
- Tested & inspected prior to despatch.
- 12 month warranty from date of installation.
- Manufactured in accordance with ISO9001:2015 quality system.

## Product Codes and Dimensions

Stock No.	Size	A	B	C	Kgs
39600	1/4"	32.0	13.4	5.2	0.021
39601	3/8"	36.7	14.8	7.1	0.035
39602	1/2"	41.7	16.4	8.8	0.050
39603	3/4"	45.0	18.5	8.0	0.070
39604	1"	48.1	18.6	10.9	0.119
39605	1 1/4"	53.4	20.6	12.2	0.180
39606	1 1/2"	55.5	21.5	12.5	0.217
39607	2"	64.2	25.6	13.0	0.328

Temperature (°C)	Non-shock maximum working pressure (bar)
-20 to 40	20
100	16.5
150	15
200	14
220	13.5



- Pressure for intermediate temperatures may be determined by the interpolation method.
- Temperatures indicated are those of internal fluid.
- Piping loads, stresses and moments are not taken into account.

# Stainless Press End Cap MSP55



## Features and Benefits

- Suitable for Potable water, Cooling systems, Industrial applications
- High grade Stainless Steel is extremely durable and corrosion resistant
- Blue plastic film which will fall off when crimped for easy identification of pressed joint
- Dust covers
- 30 Year Warranty

## Material Specifications

Description	Materials
Body	316L Stainless Steel
Crimp indicator film	PVC, Blue
O-Ring	EPDM
Dust Cap	PE

## Product Codes and Dimensions

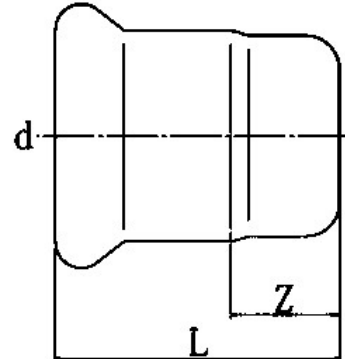
STOCK NO	d (Pipe Diameter mm)	L (mm)	Z (mm)
29533	15	34	14
29534	22	39	18
29535	28	48	25
29536	35	51	25
29537	42	59	29
29538	54	67	32

## Technical Data

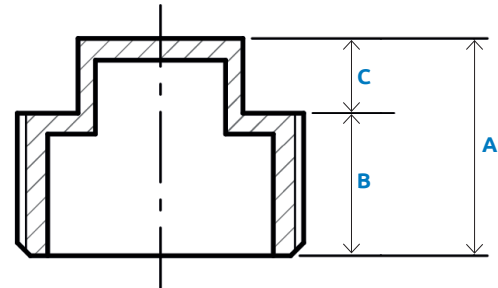
- Operating temperature -20°C ~ +120°C
- 316L Stainless Steel fitting
- EPDM Sealing ring
- "M" Profile Press Jaws or slings
- Approved tools include Novapress, REMS, Rothenberger and Ridgid
- Max Working Pressure
  - 15mm - 28mm : 40 bar
  - 35mm - 54mm : 25 bar

## Applicable Standards

- WRAS Approved
- 316L grade stainless steel fitting
- DVGW-W534



# Stainless Press Plain Plug



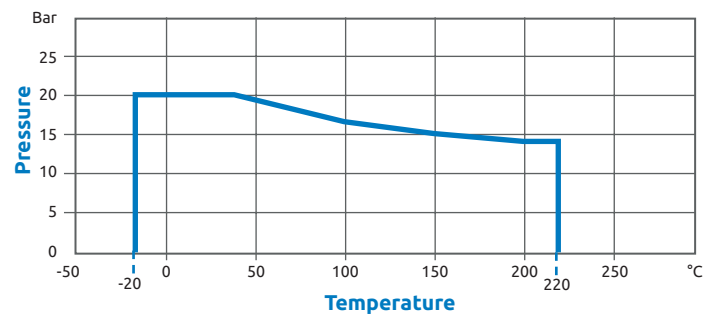
## Features and Benefits

- Made from CF8M (316) Stainless Steel material and conform to ISO 4144 standard.
- Threads are to BSP Taper (ISO 7/1) or NPT (ANSI B1.20.1).
- Material certificates available on request.
- Tested & inspected prior to despatch.
- 12 month warranty from date of installation.
- Manufactured in accordance with ISO9001:2015 quality system.

## Product Codes and Dimensions

STOCK NO.	SIZE	A	B	C	Kgs
39624	1/2"	22.6	13.6	9.0	0.030
39625	3/4"	25.0	15.0	10.0	0.039
39626	1"	26.0	15.0	11.0	0.056
39627	1 1/4"	29.0	18.0	11.0	0.089
39628	1 1/2"	30.0	18.0	12.0	0.112
39629	2"	35.0	22.0	13.0	0.170

Temperature (°C)	Non-shock maximum working pressure (bar)
-20 to 40	20
100	16.5
150	15
200	14
220	13.5



- Pressure for intermediate temperatures may be determined by the interpolation method.
- Temperatures indicated are those of internal fluid.
- Piping loads, stresses and moments are not taken into account.

# Stainless Press Full Crossover MSP60



## Features and Benefits

- Suitable for Potable water, Cooling systems, Industrial applications
- High grade Stainless Steel is extremely durable and corrosion resistant
- Blue plastic film which will fall off when crimped for easy identification of pressed joint
- Dust covers
- 30 Year Warranty

## Technical Data

- Operating temperature -20°C ~ +120°C
- 316L Stainless Steel fitting
- EPDM Sealing ring
- "M" Profile Press Jaws or slings
- Approved tools include Novapress, REMS, Rothenberger and Ridgid
- Max Working Pressure  
- 15mm - 28mm : 40 bar

## Material Specifications

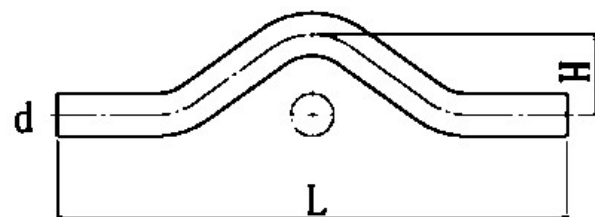
Description	Materials
Body	316L Stainless Steel
Crimp indicator film	PVC, Blue
O-Ring	EPDM
Dust Cap	PE

## Applicable Standards

- WRAS Approved
- 316L grade stainless steel fitting
- DVGW-W534

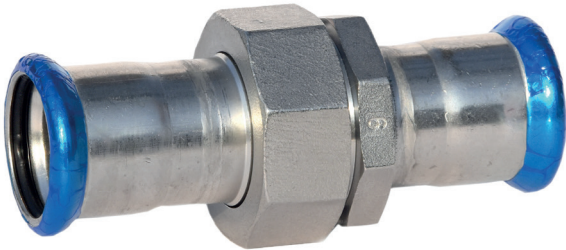
## Product Codes and Dimensions

STOCK NO	d (mm)	L (mm)	H (mm)
29356	15	202	31
29357	22	240	37





# Stainless Press Union - Flat Sealing MSP70



## Technical Data

- Operating temperature -20°C ~ +120°C
- 316L Stainless Steel fitting
- EPDM Sealing ring
- "M" Profile Press Jaws or slings
- Approved tools include Novapress, REMS, Rothenberger and Ridgid
- Max Working Pressure
  - 15mm - 28mm : 40 bar
  - 35mm - 54mm : 25 bar

## Features and Benefits

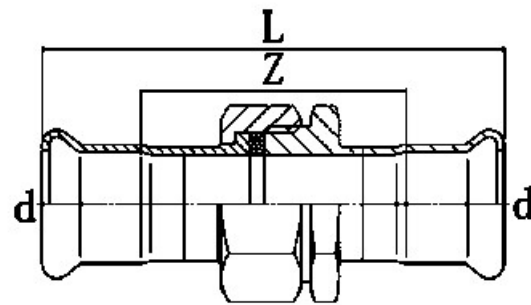
- Suitable for Potable water, Cooling systems, Industrial applications
- High grade Stainless Steel is extremely durable and corrosion resistant
- Blue plastic film which will fall off when crimped for easy identification of pressed joint
- Dust covers
- 30 Year Warranty

## Applicable Standards

- WRAS Approved
- 316L grade stainless steel fitting
- DVGW-W534

## Material Specifications

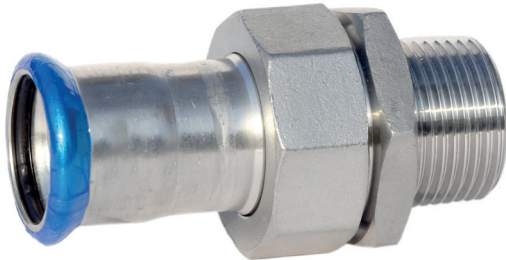
Description	Materials
Body	316L Stainless Steel
Crimp indicator film	PVC, Blue
O-Ring	EPDM
Dust Cap	PE



## Product Codes and Dimensions

STOCK NO	d (mm)	L (mm)	Z (mm)
29508	15	89	49
29509	22	99	57
29510	28	112	66
29511	35	119	67
29512	42	128	68
29513	54	141	71

# Stainless Press Male Union - Flat Sealing MSP68



## Technical Data

- Operating temperature -20°C ~ +120°C
- 316L Stainless Steel fitting
- EPDM Sealing ring
- "M" Profile Press Jaws or slings
- Approved tools include Novapress, REMS, Rothenberger and Ridgid
- Max Working Pressure
  - 15mm - 28mm : 40 bar
  - 35mm - 54mm : 25 bar

## Features and Benefits

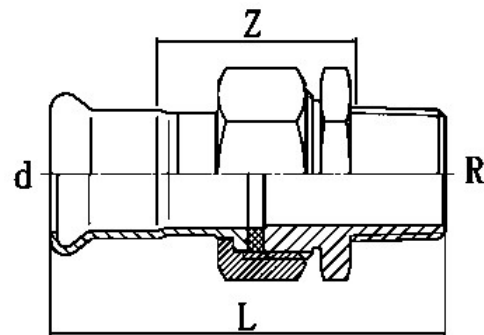
- Suitable for Potable water, Cooling systems, Industrial applications
- High grade Stainless Steel is extremely durable and corrosion resistant
- Blue plastic film which will fall off when crimped for easy identification of pressed joint
- Dust covers
- 30 Year Warranty

## Applicable Standards

- WRAS Approved
- 316L grade stainless steel fitting
- DVGW-W534

## Material Specifications

Description	Materials
Body	316L Stainless Steel
Crimp indicator film	PVC, Blue
O-Ring	EPDM
Dust Cap	PE

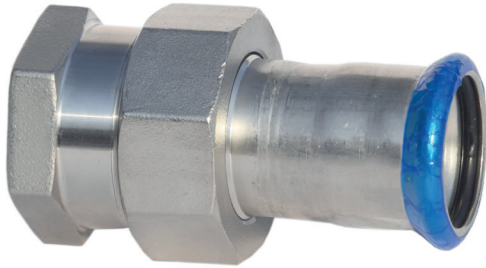


## Product Codes and Dimensions

STOCK NO	d (Pipe Diameter mm)	R (mm)	L (mm)	Z (mm)
29523	15	1/2"	73	33
29524	15	3/4"	76	37
29525	22	3/4"	82	43
29526	28	1"	93	49
29527	35	1 1/4"	102	52
29528	42	1 1/2"	107	53
29529	54	2"	118	55

# Stainless Press Female Union - Flat Sealing

## MSP69



### Technical Data

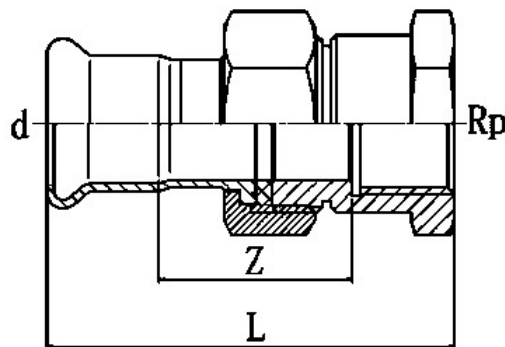
- Operating temperature -20°C ~ +120°C
- 316L Stainless Steel fitting
- EPDM Sealing ring
- "M" Profile Press Jaws or slings
- Approved tools include Novapress, REMS, Rothenberger and Ridgid
- Max Working Pressure
  - 15mm - 28mm : 40 bar
  - 35mm - 54mm : 25 bar

### Features and Benefits

- Suitable for Potable water, Cooling systems, Industrial applications
- High grade Stainless Steel is extremely durable and corrosion resistant
- Blue plastic film which will fall off when crimped for easy identification of pressed joint
- Dust covers
- 30 Year Warranty

### Applicable Standards

- WRAS Approved
- 316L grade stainless steel fitting
- DVGW-W534



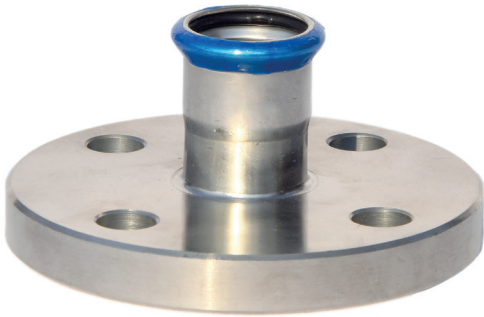
### Material Specifications

Description	Materials
Body	316L Stainless Steel
Crimp indicator film	PVC, Blue
O-Ring	EPDM
Dust Cap	PE

### Product Codes and Dimensions

STOCK NO	d (Pipe Diameter - mm)	Rp (mm)	L (mm)	Z (mm)
29514	15	1/2"	70	34
29515	15	3/4"	72	38
29516	22	3/4"	81	42
29517	22	1"	83	42
29519	28	1"	88	45
29520	35	1 1/4"	95	46
29521	42	1 1/2"	101	47
29522	54	2"	109	50

# Stainless Press Crimping Flange PN10 MSP71



## Technical Data

- Operating temperature -20°C ~ +120°C
- 316L Stainless Steel fitting
- EPDM Sealing ring
- "M" Profile Press Jaws or slings
- Approved tools include Novapress, REMS, Rothenberger and Ridgid
- Max Working Pressure
  - 15 – 28mm : 40 bar
  - 35 – 54mm : 25 bar
  - 76 – 108mm : 16 bar

## Features and Benefits

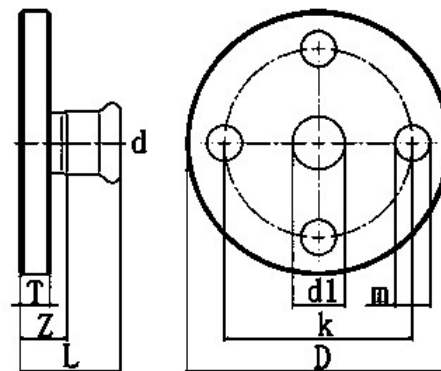
- Suitable for Potable water, Cooling systems, Industrial applications
- High grade Stainless Steel is extremely durable and corrosion resistant
- Blue plastic film which will fall off when crimped for easy identification of pressed joint
- Dust covers
- 30 Year Warranty

## Applicable Standards

- WRAS Approved
- 316L grade stainless steel fitting
- DVGW-W534

## Material Specifications

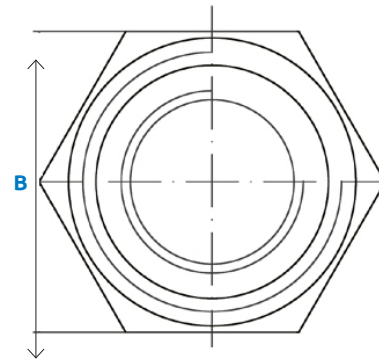
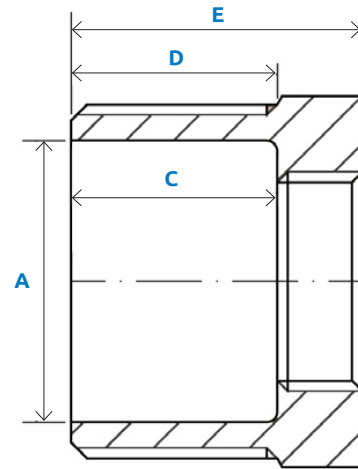
Description	Materials
Body	316L Stainless Steel
Crimp indicator film	PVC, Blue
O-Ring	EPDM
Dust Cap	PE



## Product Codes and Dimensions

STOCK NO	d (Pipe Diameter - mm)	D (mm)	k (mm)	L (mm)	T (mm)	m (mm)	d1 (mm)	Z (mm)
29548	15	95	65	43	11	14	12	23
29549	22	105	75	47	12	14	20	26
29550	28	115	85	54	14	14	25	31
29551	35	140	100	62	15	18	32	36
29552	42	150	110	70	16	18	40	40
29553	54	165	125	84	18	18	50	49
29554	76	185	145	129	18	18	65	76
29555	89	200	160	148	20	18	80	88
29556	108	220	180	173	20	18	100	98

# Stainless Press Hexagon Reducing Bush



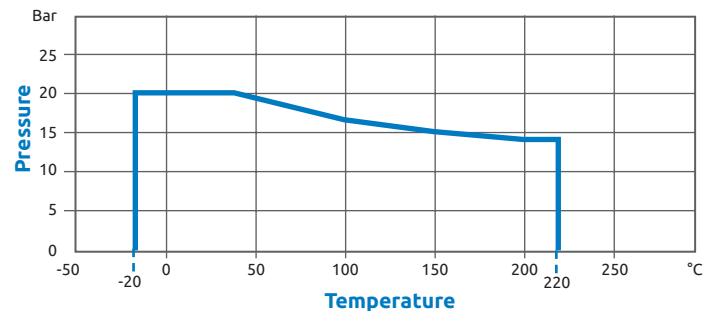
## Features and Benefits

- Made from CF8M (316) Stainless Steel material and conform to ISO 4144 standard.
- Threads are to BSP Taper (ISO 7/1) or NPT (ANSI B1.20.1).
- Material certificates available on request.
- Tested & inspected prior to despatch.
- 12 month warranty from date of installation.
- Manufactured in accordance with ISO9001:2015 quality system.

## Product Codes and Dimensions

STOCK NO.	SIZE	A	B	C	D	E
39611	1/4" x 1/8"	8.4	15.0	12.0	12.5	19.0
39612	3/8" x 1/4"	11.0	19.0	10.0	14.0	20.3
39613	1/2" x 1/4"	15.0	22.5	15.0	17.0	23.7
39614	1/2" x 3/8"	15.0	22.5	14.0	17.0	23.7
39615	3/4" x 1/2"	20.5	29.0	15.8	18.0	26.0
39616	1" x 1/2"	26.0	35.5	17.4	19.0	27.0
39617	1" x 3/4"	26.0	35.5	13.6	19.0	27.0
39618	1 1/4" x 1/2"	34.5	43.6	20.2	20.5	30.0
39619	1 1/4" x 1"	34.5	43.6	16.0	20.5	30.0
39620	1 1/2" x 1"	40.0	51.0	17.0	22.0	31.0
39621	1 1/2" x 1 1/4"	40.0	51.0	15.5	22.0	31.0
39622	2" x 1"	51.0	62.4	21.0	26.0	35.0
39623	2" x 1 1/4"	51.0	62.4	20.0	26.0	35.0

Temperature (°C)	Non-shock maximum working pressure (bar)
-20 to 40	20
100	16.5
150	15
200	14
220	13.5



- Pressure for intermediate temperatures may be determined by the interpolation method.
- Temperatures indicated are those of internal fluid.
- Piping loads, stresses and moments are not taken into account.