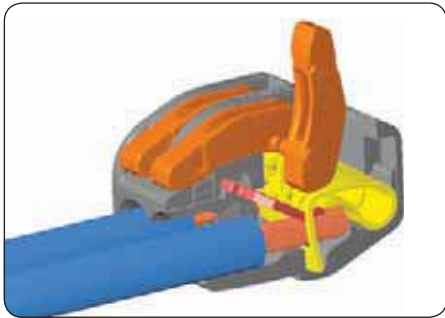


Compact Connectors for All Conductor Types Series 222



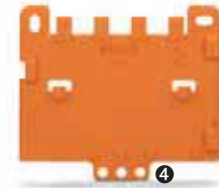
0.08 – 2.5 mm² "s+f-st"
4 mm² "f-st"
400 V/4 kV/2*
I_N 32 A

AWG 28 – 12
600 V, 20 A (L)

Mounting carrier,
strain relief plate and
universal right angled carrier
for 222 Series Compact Connectors

Carrier width 18 mm / 0.71 in

① Approvals



Stripped length



Strip wire to 9 – 10 mm / 0.37 in.

CAGE CLAMP® COMPACT connection



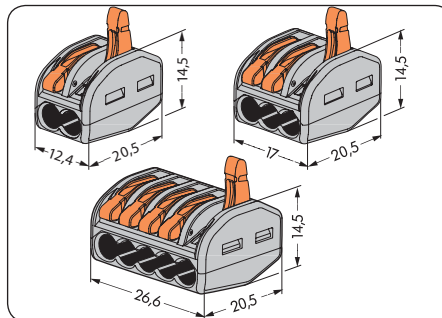
Conductor termination: open clamping point using the lever and insert wire . . .



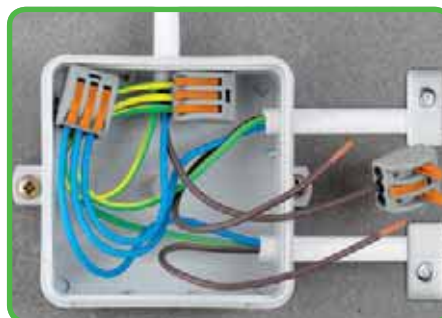
. . . then lower lever to close clamping point.

Color	Item No.	PU	Color	Item No.	PU
Compact connectors, with levers, max. continuous service temperature 85 °C			Mounting carrier ③, for 2- to 5-pole compact connectors		
orange	222-500	50 (5 x 10)	orange	222-500	50 (5 x 10)
2-wire connector			Strain relief plate ④, for mounting carrier		
gray	222-412	500 (10 x 50)	orange	222-505	50 (5 x 10)
3-wire connector			Universal right angled carrier ⑤, for DIN 35 rail mounting		
gray	222-413	500 (10 x 50)	gray	222-510	50 (5 x 10)
5-wire connector			Self-adhesive marker strips		
gray	222-415	400 (10 x 40)	plain	210-334	1 card

Dimensions (in mm) and handling



Vertical mounting with strain relief plate on DIN 35 rail. Marking of clamping points via marker strips.



Wiring of flexible conductors in a junction box.



Testing connectors via test slots at the top of the carrier.

CAGE CLAMP® clamps the following copper conductors:



solid



stranded



fine-stranded



tip bonded



with crimped ferrule ②



with crimped pin terminal

② When using ferrules, the max. conductor cross section which can be accommodated is one size smaller than max. rating of terminal block
For technical explanations and abbreviations, see technical section.

* In grounded power lines