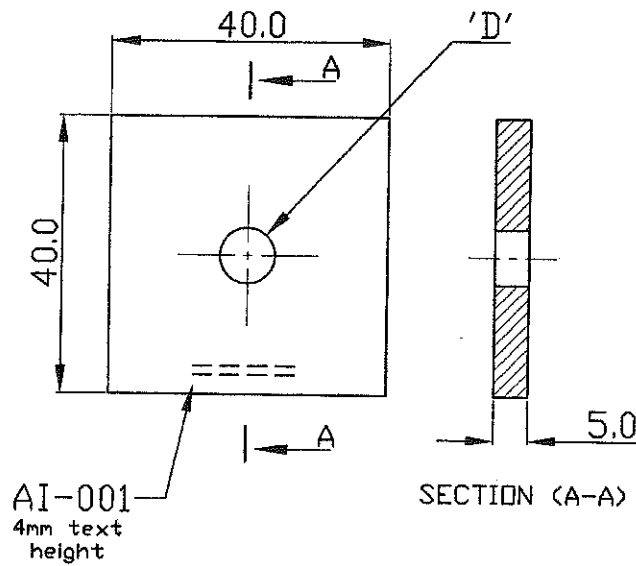


-DO NOT SCALE THE DRAWING
-REMOVE ALL BURRS AND SHARP EDGES

-UNLESS NOTED OTHERWISE, ALL DIMENSIONS
-ARE IN MILLIMETRES (mm)



Specification			
Dim.	Code	Hole Dia.	Weight
D	AI-001/M6	8mm	60.5 gr.
D	AI-001/M8	10mm	59.25 gr.
D	AI-001/M10	12mm	58 gr.
D	AI-001/M12	14mm	56.4 gr.

6mm Square Plates

STOCK NO	SIZE	PACK QTY
12071	M6	100
12072	M8	100
12073	M10	100
12074	M12	100

REV. DATE	Revision note	Signature
25/08/10	Linear Tolerances changed from ±0.2 to ±0.15 & angular Tol. added ±0.5°	C.H.

MATERIAL	MILD STEEL	TOLERANCE U.N.O.	SCALE:- 1:1	DRAWN BY:-
WEIGHT	XXXXX	DIMS. ±1mm		APPROVED BY:-
FINISH	GALVANISED 50-70 MICRONS	ANGLES ±0.5°		DATE:- Apr-1998