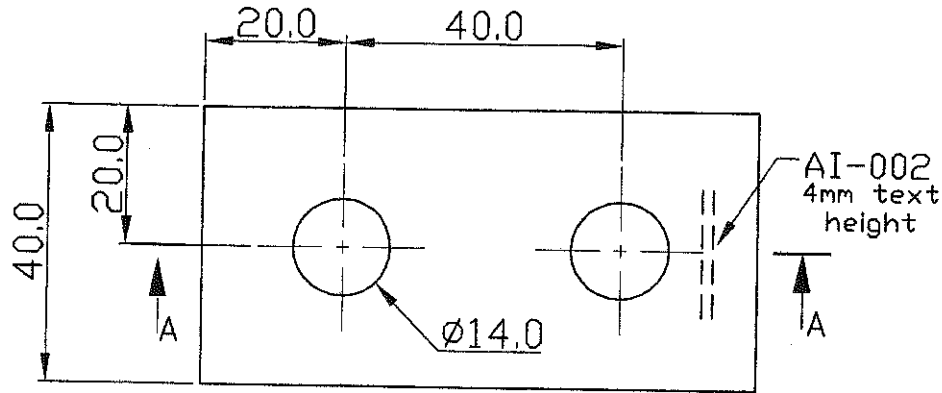
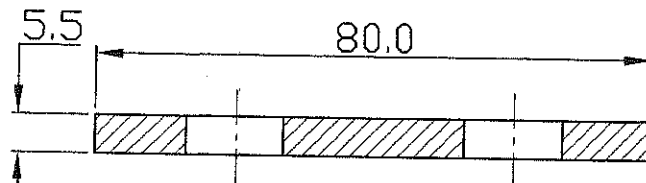


-DO NOT SCALE THE DRAWING  
-REMOVE ALL BURRS AND SHARP EDGES

-UNLESS NOTED OTHERWISE, ALL DIMENSIONS  
-ARE IN MILLIMETRES (mm)



FRONT VIEW



SECTION (A-A)

Splice Plates

STOCK NO	DESCRIPTION	
12081	2 Hole	P1065
12082	3 Hole	P1066
12083	4 Hole	P1067
12084	5 Hole	P1941

REV. DATE	Linear Tolerances changed from 202 to 25mm & angular Tol. added -40.5°	C.H.
	Revision note	Signature

MATERIAL	MILD STEEL	TOLERANCE U.O.	SCALE:- 1:1	DRAWN BY:-	
WEIGHT	124.1 GRAMS	DIMS. ±1mm		APPROVED BY:-	
FINISH	GALVANISED 50-70 MICRONS	ANGLES ± 0.5°		DATE:-	Apr-1998