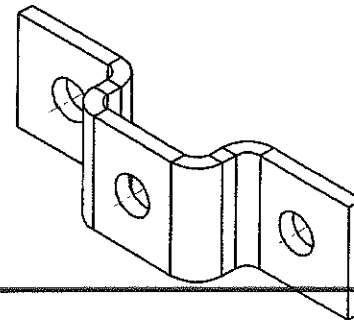
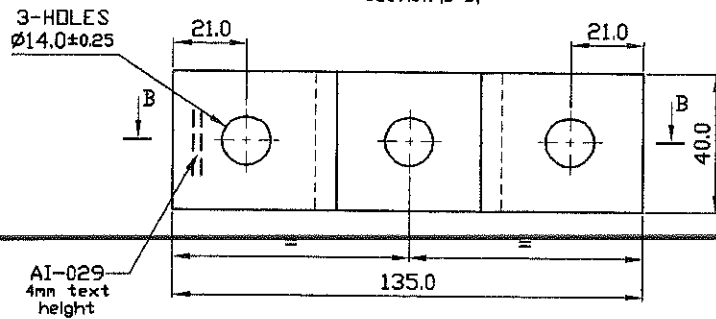
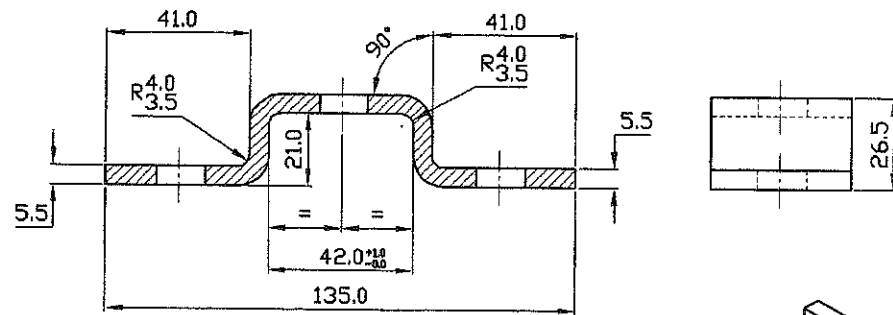


-DO NOT SCALE THE DRAWING
-REMOVE ALL BURRS AND SHARP EDGES

-UNLESS NOTED OTHERWISE, ALL DIMENSIONS
-ARE IN MILLIMETRES (mm)

U Brackets

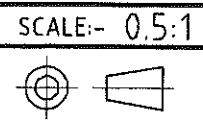
STOCK NO	SIZE	REF
12111	20mm	P4047
12112	40mm	P1047
12113	80mm	P1737



25/08/10	AI-029 changed from 302 to 31m & angular Tol. added -40.5°	C.H.
REV. DATE	Revision note	Signature

MATERIAL	MILD STEEL
WEIGHT	269grams
FINISH	GALVANISED 50-70 MICRONS

TOLERANCE U.N.O.	
DIMS.	$\pm 1\text{mm}$
ANGLES	$\pm 0.5^\circ$



SCALE:- 0.5:1
DRAWN BY:-
APPROVED BY:-
DATE:- Apr-1998