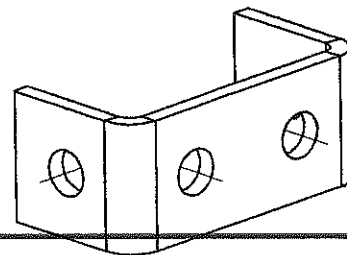
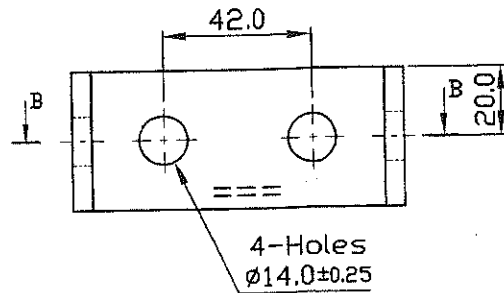
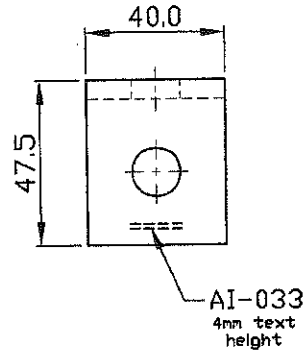
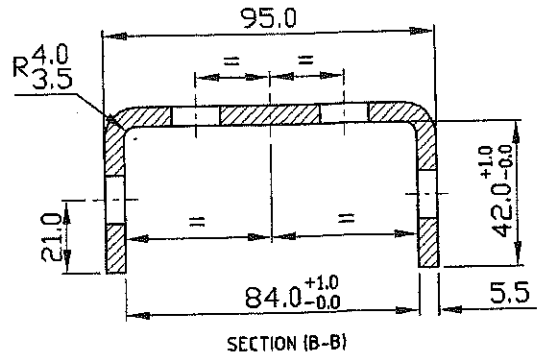


-DO NOT SCALE THE DRAWING
-REMOVE ALL BURRS AND SHARP EDGES

-UNLESS NOTED OTHERWISE, ALL DIMENSIONS
-ARE IN MILLIMETRES (mm)



Channel Joining U Bracket

STOCK NO	SIZE	REF
12121	96mm	P1044

REV. DATE	Revision note	Signature
'A' 25/08/10	Linear Tolerances changed from 0.02 to 0.05 & angular Tol. added -0.5°	C.H.

MATERIAL	MILD STEEL	TOLERANCE U.N.D.	SCALE:- 0.5:1	DRAWN BY:-
WEIGHT	275 grams	DIMS. ±1mm		APPROVED BY:-
FINISH	GALVANISED 50-70 MICRONS	ANGLES ± 0.5°	DATE:-	Apr-1998