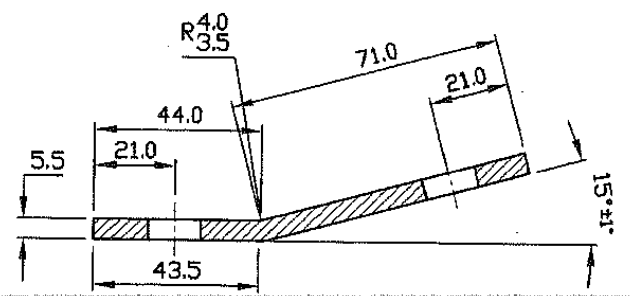
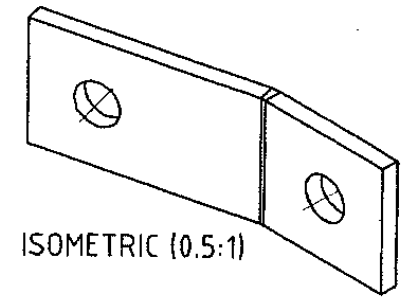
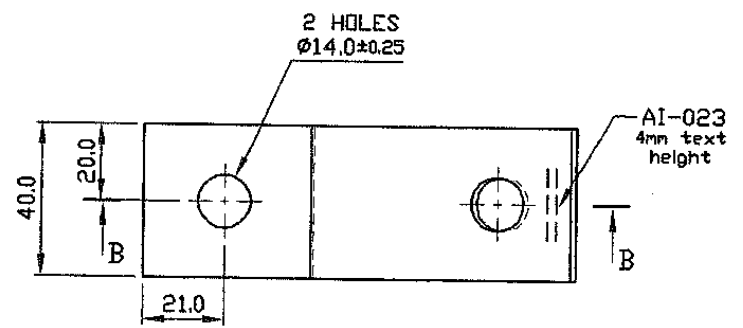


-DO NOT SCALE THE DRAWING
-REMOVE ALL BURRS AND SHARP EDGES

-UNLESS NOTED OTHERWISE, ALL DIMENSIONS
-ARE IN MILLIMETRES (mm)

Obtuse Angle Brackets

STOCK NO	SIZE	REF
12131	15°	P2103
12132	30°	P2101
12133	45°	P1546
12135	60°	P2097



SECTION (B-B)

25/08/10	Lower tolerances changed from 0.02 to 0.01 mm L angle. Tol. added -0.5°	C.H.
REV. DATE	Revision note	Signature

MATERIAL	MILD STEEL	TOLERANCE U.N.D.	SCALE:- 0.5:1	DRAWN BY:-
WEIGHT	186.6 grams	DIMS. ±1mm		APPROVED BY:-
FINISH	GALVANISED 50-70 MICRONS	ANGLES ± 0.5°		DATE:-