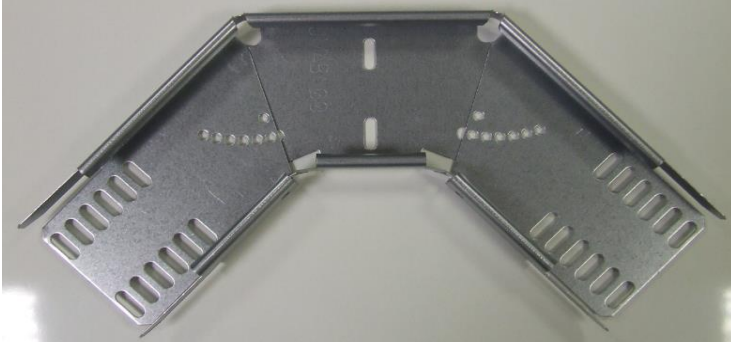
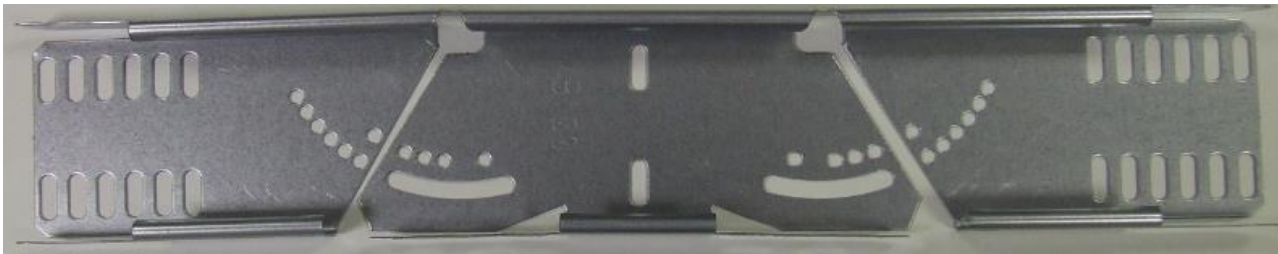


Product Data Sheet

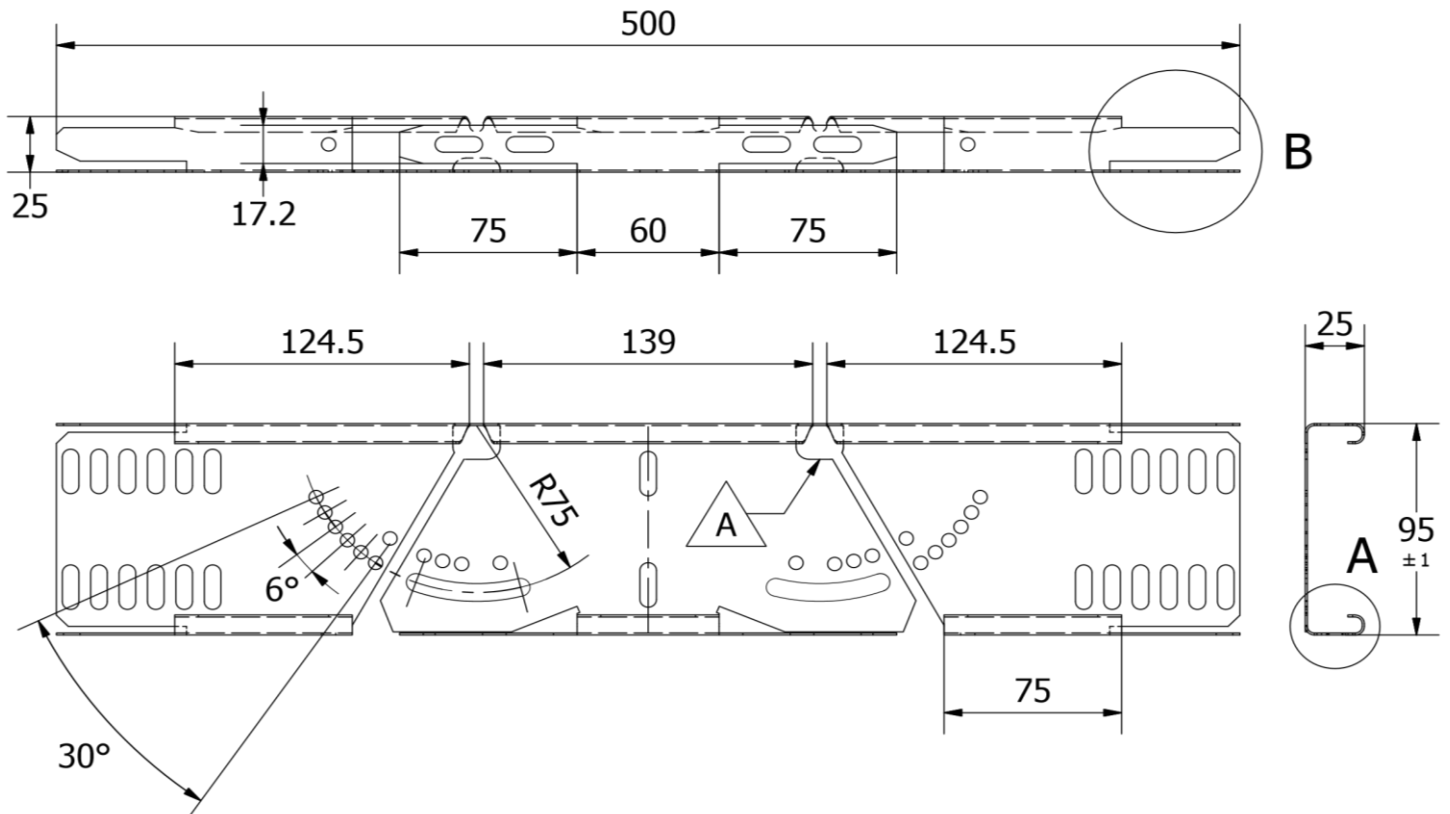
Adjustable bend for 100mm medium duty tray



Weight : 0.575kg.



Material : Pre - galvanised steel to BSEN 10346 DX51D Z275-N-A-C
Finish : Pre - galvanised to BSEN 10346 Z275 standard



UNISTRUT HEALTH & SAFETY DATA SHEET REF'S :

No. 001 - PLAIN STEEL, PRE-GALVANIZED, GALVANIZED AND STAINLESS STEEL COMPONENTS

No. 099 - HOT DIP GALVANIZING (CHANNEL & COMPONENTS)

No. 102 - STEEL