

Si-30

PISTON PUMP



Versatile technology

The high performance Si-30 is suitable for air-conditioning units **up to 20 kW**.

The piston technology is specifically designed for removing condensates from air conditioning systems.

The Si-30 is fully reliable, in any kind of environment. Its operating sound level will remain silent whatever the volume of condensates.

BENEFITS



• new piston, patented technology

- **Increased performance** – the Si-30 replaces the SI3080, SI3100 & SI3200.
- **High resistance to pollution** created by general environment. Capable of discharging small particles.
- **Proven Reliability**.



• Silent

- Quiet in operation: **20 dBA independently tested**.
- The size of the air-conditioning unit and volume of condensates to be removed does not affect the operational sound level of the pump.
- **New mounting bracket** specifically designed to **reduce vibration transmission to the wall / panel or pipework**.



• Easy to install

- **Compact design**.
- New mounting bracket : allows the pump to be **wall mounted or hung from ceilings and pipework**.
- **Plug-in power cord** to make maintenance and replacement hassle free.

• Energy saving

Improved performance and high flow rate **reduce operation time** and energy consumption.

KIT CONTENTS



- Piston pump
- Anti-vibration mounting bracket
- Plug in power cable with 2 safety switch wires (1,5 m)
- 6 tie wraps, 2.5 x 100mm
- Detection unit (SI2958, 1.5m cable)
- Detection unit installation kit:
 - rubber elbow 90° Øint.15 x L 60mm,
 - vent tube Øint 4 x L 75 mm,
 - mounting rail,
 - adhesive.

APPLICATIONS

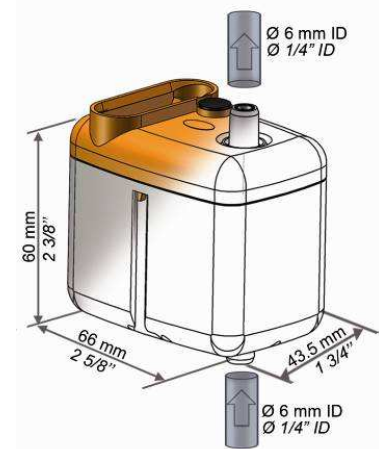
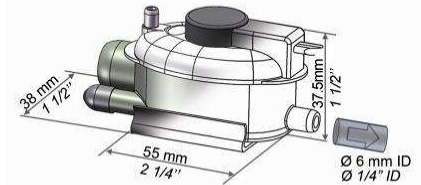
For use with any air-conditioning units,
up to 20 kW :

- Wall mounted
- Ceiling suspended
- Ducted
- Fan-coils



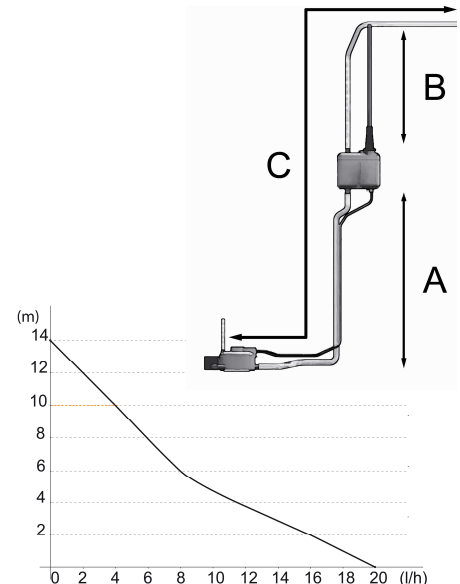
TECHNICAL SPECIFICATION

Max. flow rate	20 l/h
Max. suction head	3 m
Max. discharge head	10 m (flow rate= 4l/h)
Max pressure	14 m (flow rate = 0l/h)
Sound level at 1m according to EN ISO 3744 (Measured at LNE lab, pump operating with water, out of application)	20 dBA
Sound level in application at 1m: (Measured in Sauermann acoustic lab, pump operating with water)	≤ 27 dBA
Mains supply	230 V ~ 50/60 Hz - 14 W
Insulation class	<input type="checkbox"/> (double insulation)
Detection levels	ON: 16mm, OFF: 11mm, AL: 19mm
Safety switch	NC 8 A resistive - 250 V
Thermal protection (overheating)	90°C (auto-reset)
Intermittent operation cycle	30%: 3s ON – 7s OFF
Protection	IP20
Safety standards	CE
RoHS directive	Compliant
DEEE directive	Compliant
Packaging	0.41kg - L112 x W91 x H91 mm
Masterpack	25 pieces



ACTUAL FLOW RATES (l/h)

		Total hose length using Øint. 6 mm (1/4") hose - (C)			
Suction head (A)	Discharge head (B)	5 m	10 m	20 m	30 m
0 m	0 m	20	19	18	17
	2 m	16	15	14	13,5
	4 m	11,5	11	10,5	10
	6 m		8,5	7,5	6,5
	8 m		6	5	4
1 m	0 m	14	13	12	11
	2 m	11	10	9	8
	4 m	7,5	7	6	5
	6 m		4,5	4	
2 m	0 m	11	10	9	8
	2 m	9	8	7	6
	4 m		5,5	5	4,5
3 m	0 m	10,5	9	8	7
	2 m	8	7	6	5
	4 m		5	4	



RECOMMENDED ACCESSORIES



ACC 00105, ACC 00150
Clear PVC hose, Øint. 6mm (1/4")
ACC 00105 : 5m
ACC 00150 : 50m



ACC 00205
6 self-sealing
fittings for hose
Øint. 1/4" (6mm)



ACC 00216
3 anti-siphon devices for
hose Øint. 1/4" (6mm)