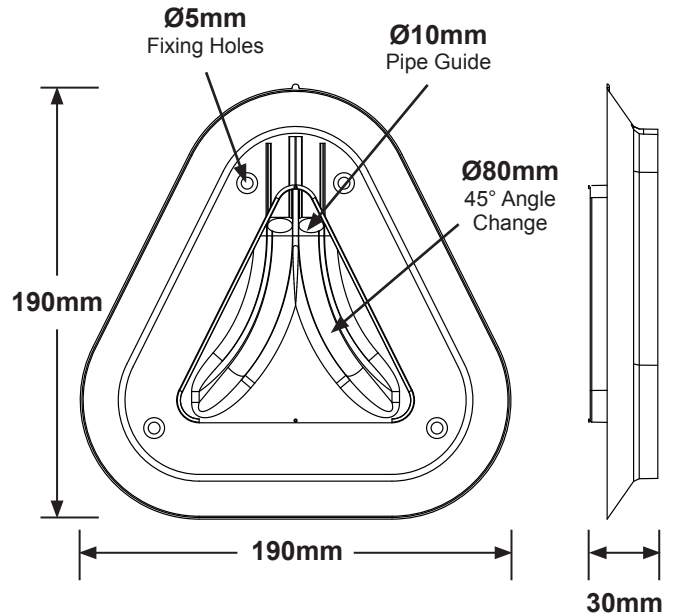
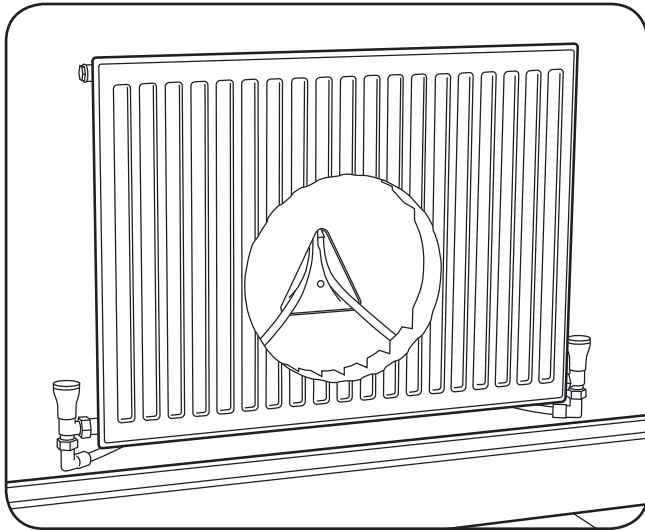


Radiator Pipe Guide & Seal

CODE **GRS**

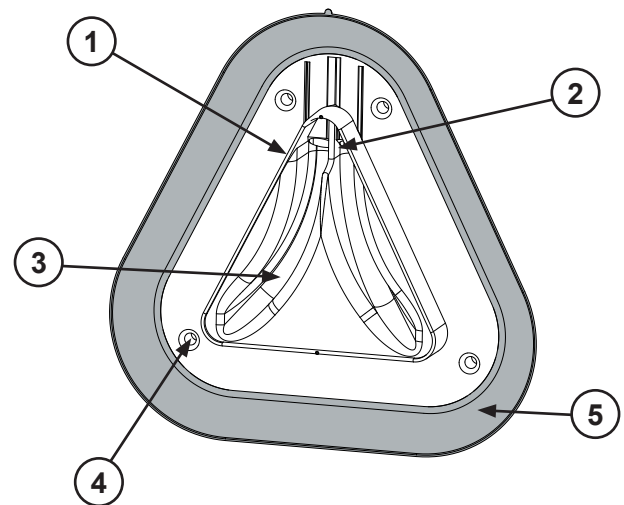


Description

The GRS Radiator Pipe Guide & Seal has been designed and developed to meet the air leakage needs of the modern builder.

The unit fits behind the radiator guiding both pipes to the radiator valves without kinking or chaffing problems while also providing a draft seal. This helps builders to achieve the new air leakage requirements of the building regulations.

Suitable for use with 10mm flexible pipes.



Specifications

Colours	White
Packing Details	20 per box
Weight	80g per unit 1.96 kg per box
Materials - Guide Seal	Polypropylene Thermoplastic Elastomer
Manufacturing Process	Injection Moulded

References

DOE: Building Regulations Part L Air Leakage

Product Features

1	Skim Bead - A guide for plastering up to.
2	Pipe Clamp - Prevents chaffing of the pipe.
3	Pipe Guide - Eliminates kinking & helps to prevent the pipes sagging.
4	Fixing Points - 4 secure fixing points.
5	Twin Shot Seal - To stop air leakage.

MANTHORPE BUILDING PRODUCTS LTD
MANTHORPE HOUSE
BRITAIN DRIVE
CODNOR GATE BUSINESS PARK
RIPLEY
DERBYSHIRE DE5 3ND

TEL: 01773 514 200
FAX: 01773 514 262
EMAIL:
sales@manthorpe.co.uk
WEB
www.manthorpe.co.uk

DRN B.H.

Date 04.02.13

DRG No

Issue

The company maintains a policy of continuous development of its product range and reserves the right to amend the specification without notice.

MBP 8234

B