

# 315i COMMERCIAL PRESSURE REDUCING VALVE

PRED315010	1/2" MBSP union
PRED315020	3/4" MBSP union
PRED315030	1" MBSP union
PRED315040	1 1/4" MBSP union
PRED315050	1 1/2" MBSP union
PRED315060	2" MBSP union
PRED315070	Capillary 15mm union
PRED315080	Capillary 22mm union
PRED315090	Capillary 28mm union



## Overview

A range of commercial pressure reducing valves, incorporating a unique indicator so the set pressure can be identified easily without the need for a pressure gauge.

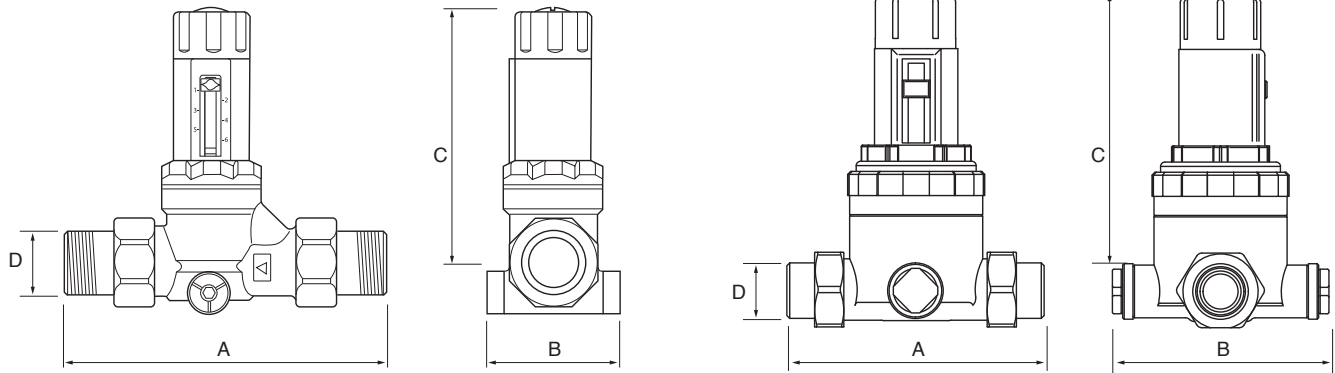


# 315i COMMERCIAL PRESSURE REDUCING VALVE

## Features and Benefits

- Easy to read pressure indicator.
- Robust design.
- 'Drop tight' valve: controls the pressure under both flow and no-flow conditions.
- One-piece, easy to replace cartridge contains all working parts.
- Fully serviceable integral strainer.
- Suitable for hot and cold supplies.
- Union fitting for ease of servicing.
- Can be installed in any orientation.

## Dimensions



	PRED315010	PRED315020	PRED315030	PRED315040	PRED315050	PRED315060	PRED315070	PRED315080	PRED315090
A (mm)	130	138	170	191	220	255	104	124	148
B (mm)	74	74	84	94	94	94	74	74	84
C (mm)	103	103	132	194	194	187	103	103	132
D (mm)	1/2" MBSP	3/4" MBSP	1" MBSP	1 1/4" MBSP	1 1/2" MBSP	2" MBSP	15mm	22mm	28mm

## Specifications

Maximum Working Pressure	25 Bar
Adjustable Set Pressure	1.0-6.0 Bar
Pressure Reduction Ratio	10:1
Maximum Working Temperatures	70°C

## Materials

Body	DZR Brass
Internal Components	DZR Brass
Seals	EPDM
Spring	Zinc Plated Spring Steel
Strainer	Stainless Steel
Diaphragm	EPDM
Cover	ABS

## Standards and Approvals

BSEN 1567  
WRAS Approved

## Flow Rates

