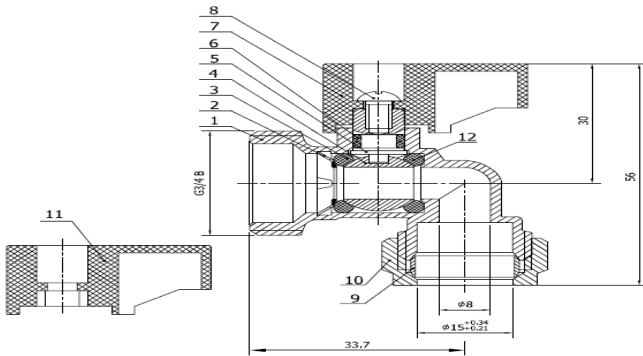


Product: 15mm x 3/4" Angle Washing Machine Valve

Product Code: BFWMVA-15E

Product Picture



Features

- ◆ WRAS Approved
- ◆ Suitable for hot and cold water
- ◆ Interchangeable Levers
- ◆
- ◆
- ◆
- ◆
- ◆
- ◆
- ◆

Material

◆ 1: Body	Brass
◆ 2: Circlip	Stainless Steel
◆ 3: Ball Seal	PTFE
◆ 4: Ball	Brass
◆ 5: Stem	Brass
◆ 6: O Ring	EPDM
◆ 7: Handles	ABS
◆ 8: Screw	Iron
◆ 9: Olive	Copper
◆ 10: Nut	Brass

Test & Operational Performance

- ◆ Maximum Working Pressure: 16bar
- ◆ Maximum Working Temperature: 85°C
- ◆
- ◆
- ◆
- ◆
- ◆
- ◆
- ◆
- ◆