



Introducing the Inta-Mag Pro Magnetic System Hub, comprising of a magnetic filter, dirt separator, manual and automatic de-airating function, and chemical dosing point. Proving to be the perfect all-in-one solution for plant room installations where space is paramount, and there is a critical requirement to keep heating systems clean and working as efficient as possible. The Inta-Mag Pro also gives the option for a separate "accessory pack" to be purchased which comprises of the inlet isolation lever ball valves and stainless steel dosing pot for the addition of system chemicals and inhibitors.

Features

- ****Accessory Pack Also Available Comprising of Inlet Isolation Lever Ball Valves & Stainless Steel Dosing Pot**
- **Manual and Automatic Air Venting**
- **Various Inlet Connection Sizes Ranging from 1/2" - 2"**
- **Multiple Inlet Configurations To Suit Many Installations**
- **Self-closing Filter Basket for Easy Debris Removal**
- **Quick and Efficient Servicing Schedule**
- ***Insulation Jacket Available**
- **Magnetic Filtration for the Removal of Ferrous Materials**
- **Removable Filtration Basket with a 100 micron Mesh for the Removal of Fine Lighter Particles**

Product Range

Description

- Mag Pro 1/2"
- Mag Pro 3/4"
- Mag Pro 1"
- Mag Pro 1 1/4"
- Mag Pro 1 1/2"
- Mag Pro 2"

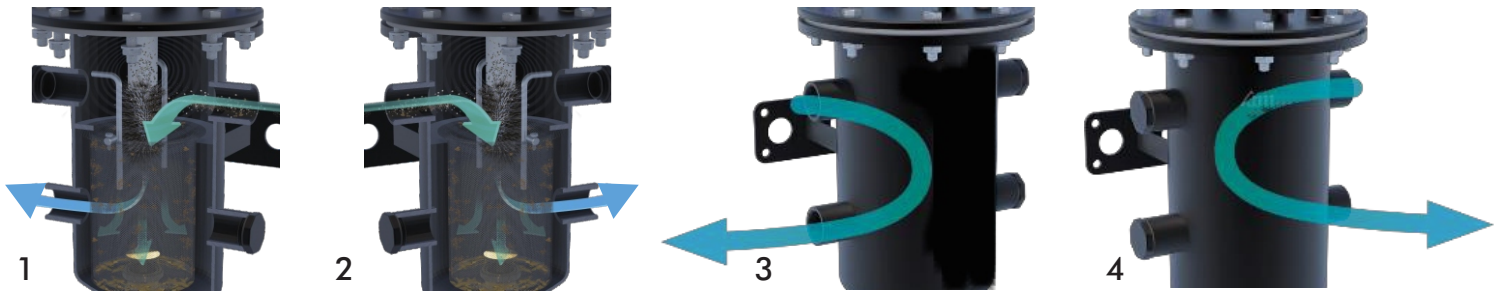
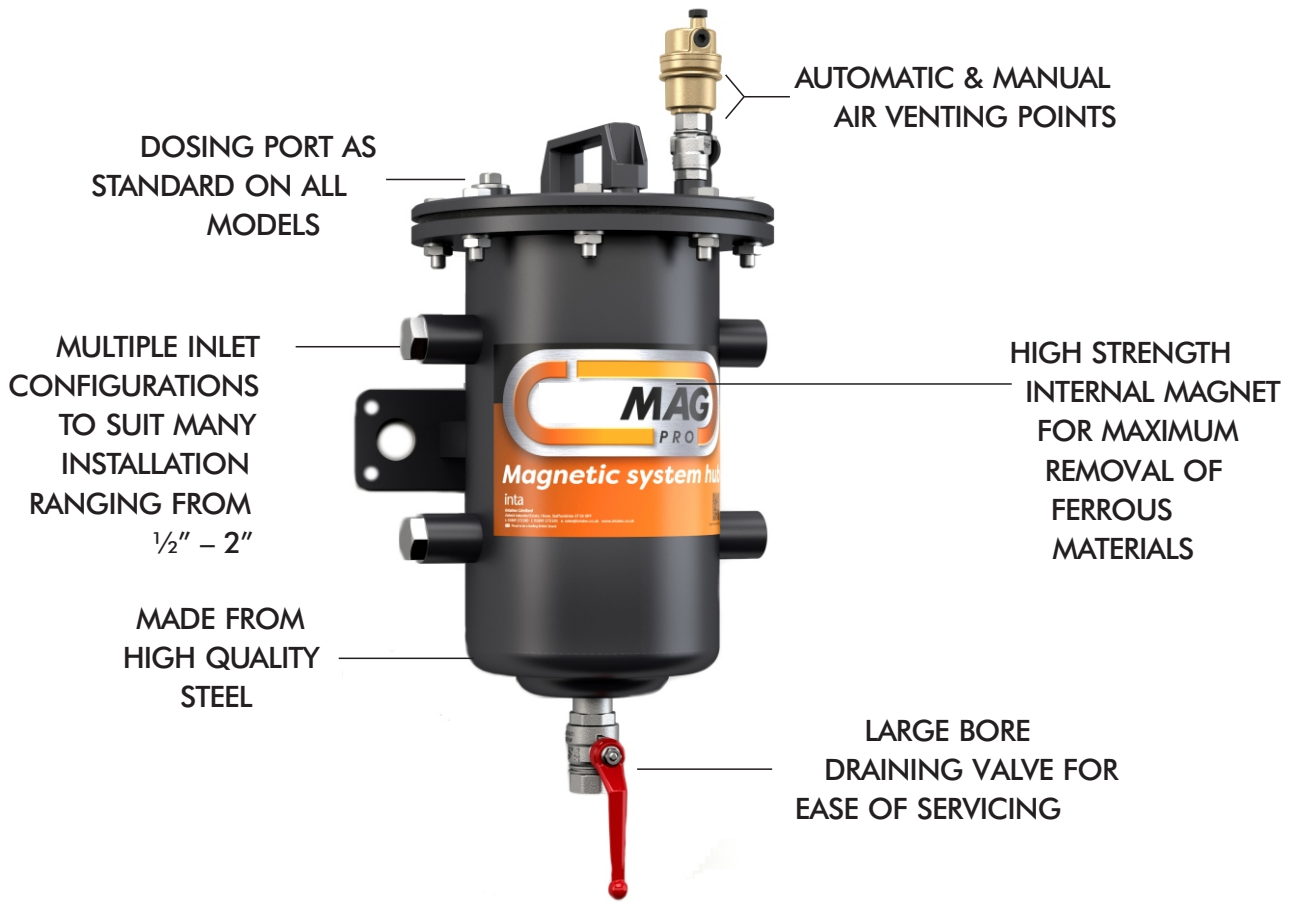
Accessory Packs

Description

- Mag Pro 1/2" Accessory Pack
- Mag Pro 3/4" Accessory Pack
- Mag Pro 1" Accessory Pack
- Mag Pro 1 1/4" Accessory Pack
- Mag Pro 1 1/2" Accessory Pack
- Mag Pro 2" Accessory Pack

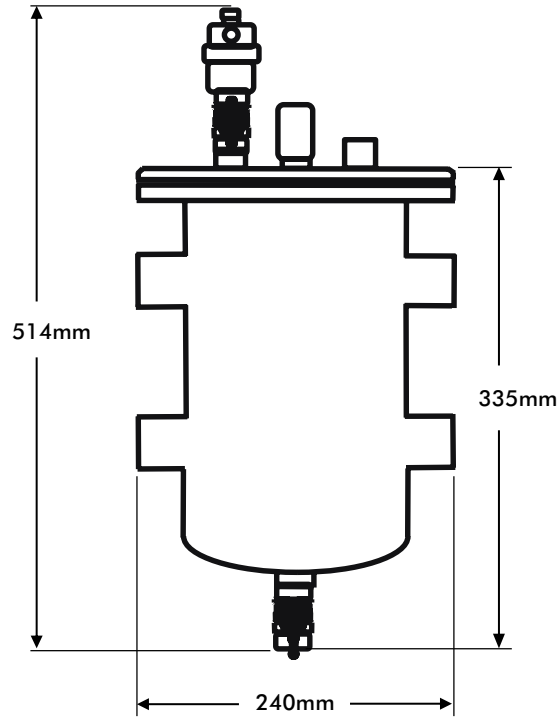


Accessory Pack: 2 X Inlet Isolation Valves & Dosing Pot

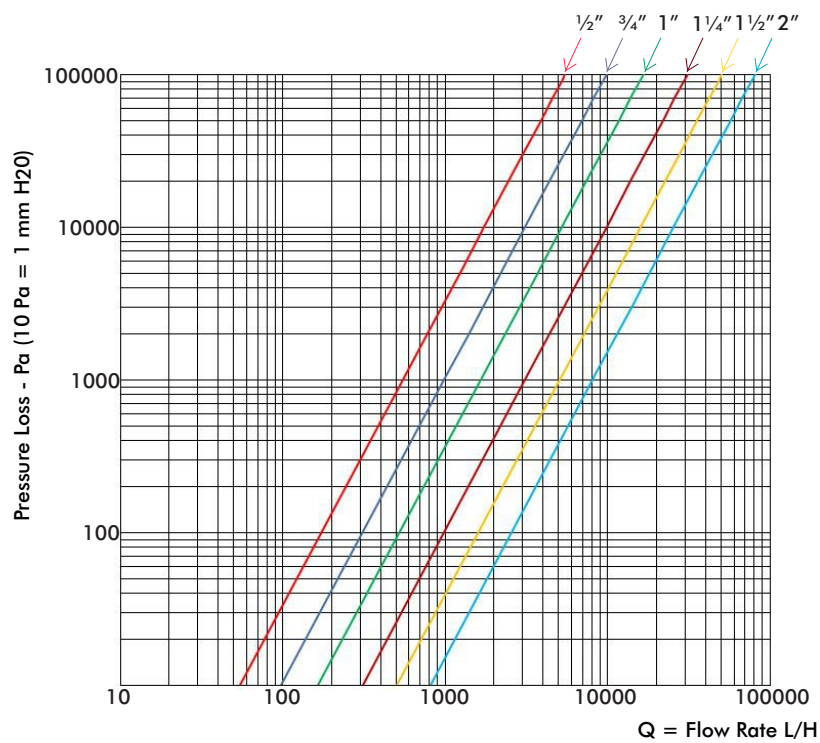


Multiple Inlet Configurations

Dimensions



Pressure Drop Graph



Connection	Kv [m ³ /h]
1/2"	5,50
3/4"	9,87
1"	16,59
1"1/4	31,10
1"1/2	50,60
2"	81,00