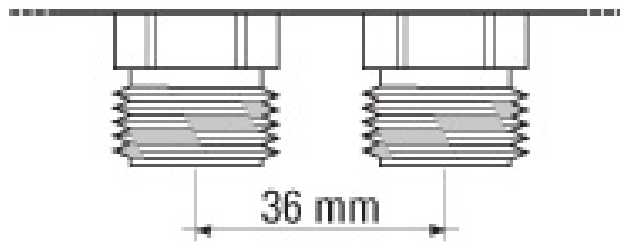


Multiplex Manifold







Certificate No.
1507073



Product Features

A range of WRAS approved nickel plated, stamped brass manifolds in $\frac{3}{4}$ " and 1" inlet sizes. Available in 2, 3 and 4 ways per manifold with an extension coupling for greater than 4 way applications. Wheelhead isolation valves at a 45o angle for ease of use with red and blue labels supplied for easy identification of each circuit. Multiplex manifolds can be mounted using our slider rail system, or the 'Termobox' plastic manifold cabinet. Also available are a range of accessories including ball valves, mounting brackets, fittings and WRAS approved Monoblocco pipe connectors for a wide range of pipe types and sizes.

Features and Benefits

-  The Multiplex manifold provides you with individual isolation of outlets and appliances if required. Enabling you to isolate parts of the system whilst the rest remains operational, reducing disruption for installation and maintenance.
-  Red and Blue outlet identification labels are supplied which can be marked to indicate which room or zone they are serving.
-  Supplied as single rails for flexibility in mounting and installation requirements, using our slider rail system, this enables the rails to be mounted either offset above one another or side by side. Multiplex can also be mounted in the 'Termobox' plastic manifold cabinet which has the slider rail system moulded in and needs only the slider rail brackets.
-  Pipe connections using Emmeti patented Monoblocco fittings supports a wide range of pipes including Copper, MLCP, PB and PE-X.

Technical Data Sheet

Multiplex Manifold

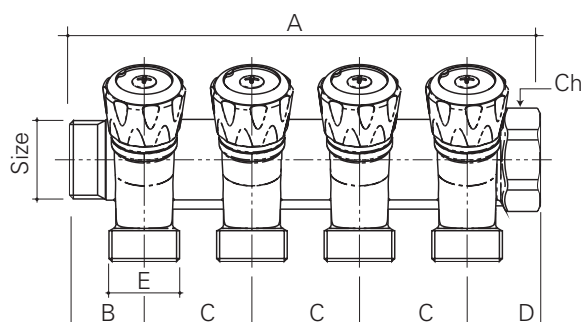
Specification

Inlet connection 3/4" and 1"	3/4" and 1"
Outlet connections 24 x 19*	24 x 19*
Outlet centres 36mm	36mm
Ways	2 to 4 ways in both 3/4" and 1"
Extension	Yes, with coupling**
Individual isolating tap	Yes, each outlet
Identification of individual appliances	Red / Blue coding labels supplied
Maximum operating pressure:	10 bar
Maximum operating temperature:	110 °C

*Monoblocco connectors are available to suit pipe sizes 10 - 20mm and pipe types (PB, PE-Xa, PE-RT, MLCP, & copper)

**Consider pressure drop and flow rate if going above 12 ways

Dimensions

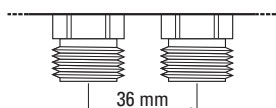


Size	N° ways	A	B	C	D	E	CH
3/4"	2	86	25	36	24.5	24x19	31
3/4"	3	122	25	36	24.5	24x19	31
3/4"	4	158	25	36	24.5	24x19	31
1"	2	92	27	36	27.5	24x19	37
1"	3	128	27	36	27.5	24x19	37
1"	4	164	27	36	27.5	24x19	37

Multiplex sanitary manifold with isolating taps



Certificate No.
1507073



Distance between takeoffs : 36mm

Description	Ways	Pcs/Pack	Code
3/4"	2	1	01307260
3/4"	3	1	01307265
3/4"	4	1	01307270
1"	2	1	01307280
1"	3	1	01307285
1"	4	1	01307290

For copper, MultiLayer, PEX, PP, PB pipe.

Please order two rails, one rail for hot and one for cold supply. Separate blue and red outlet identification labels are shipped with each order. These labels are applied by the installer on site. For 36mm interaxial spacing a 27mm spanner is required, code: 01306058 or 01306054.

For WRAS approved MLCP (MultiLayer Composite Pipe), Emmeti Monoblocco connectors, plastic or metal mounting brackets, blanking plugs and ball valves please refer to the relevant pages in our buyers guide.

Bridging piece for Multiplex manifold



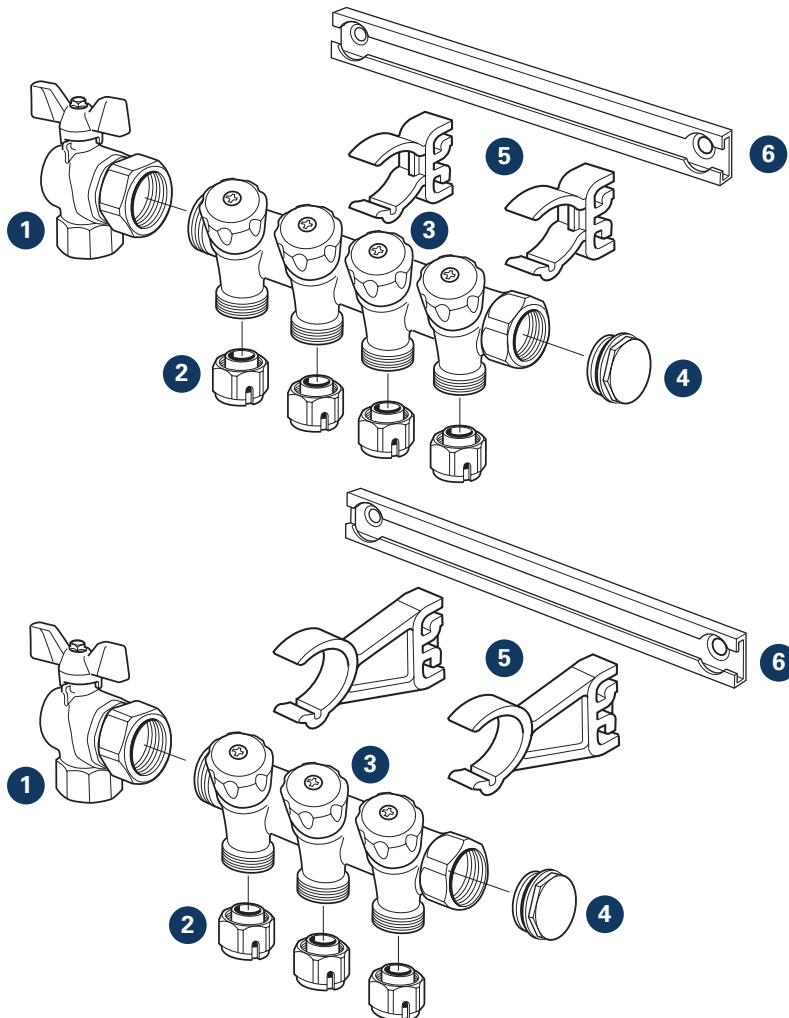
Description	Pcs/Pack	Code
3/4"	1	01307200
1"	1	01307210

A bridging piece to allow extension of Multiplex manifolds.

Note: Not suitable for Modular manifolds. Alternative is to use TopSan series.

Multiplex Manifold

Multiplex manifold assembly



- 1 Ball Valves**
A range of $\frac{3}{4}$ " and 1" Ball Valves are available. For the complete range please refer to section system components in our buyers guide or visit our website www.emmeti.co.uk
- 2 Monoblocco Connectors**
A range of Monoblocco connectors are available to suit pipe sizes 10mm - 20mm, and different pipe types PB, PE-X, PE-RT, MLCP and Copper. For the complete range, please refer to the relevant pages in our buyers guide or visit our website www.emmeti.co.uk
- 3 Manifold**
Code 01307260 (2 way) to 01307270 (4 way) $\frac{3}{4}$ "
Code 01307280 (2way) to 01307290 (4 way) 1"
- 4 Blanking Plug**
Code 90004820
 $\frac{3}{4}$ " M with O-ring seal
Code 90004830
1" M with O-ring seal
- 5 Plastic Brackets**
Code 01302140 $\frac{3}{4}$ " or 01302150 1". Sold in boxes of 10 pairs.
- 6 Aluminum Slider Rail**
Order two per manifold or one 400mm slider rail as this can be snapped into two 200mm lengths by hand.
Code 01306400 400mm or Code 01306398 200mm.

