

# RPZ Back Flow Preventer Valve

## BFP 01



### Features and Benefits

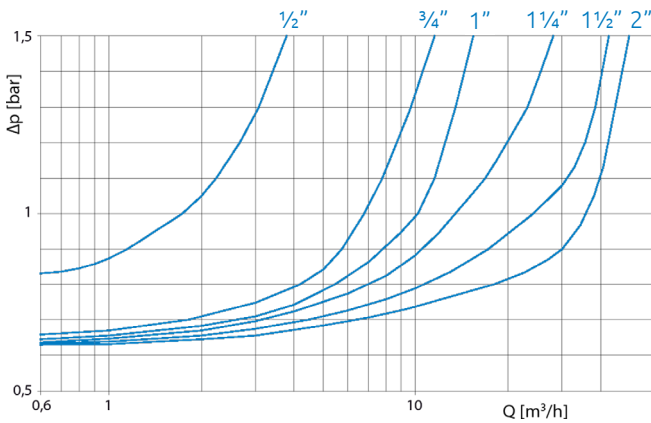
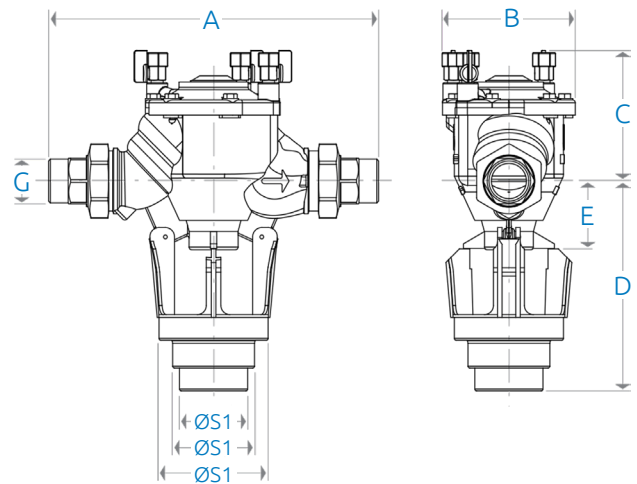
- Threaded connections 1/2" - 2" male with tail piece
- Dual-check backflow preventer with controlled reduced pressure zone. BA type
- Protection against fluids of categories 1, 2, 3, 4 (in accordance with UNI EN 1717)
- Triggered by either back siphoning or by pressure back flow
- Includes upstream, intermediate and downstream pressure sockets and relief funnel with fitting collar for pipe
- Available in large flanged sizes

### Technical Data

- Maximum working pressure: 12 Bar
- Maximum working temperature: 65°C

### Applicable Standards

- Type BA (Classification according to UNI EN1717)
- Protection against fluids of categories: 1-2-3-4 (UNI EN 1717)
- Complies with UNI EN 12729
- Threaded male connections with tail pieces (ISO 228-1)



### Material Specifications

- **36169:** main body and covers in corrosion resistant brass (CR)
- **36170 - 36174:** main body and covers in bronze

### Versions and Products Codes

STOCK NO	DN	G	A	B	C	D	E	ØS1	ØS2	ØS3	Kv	WEIGHT (kg)
36169	15	1/2"	174	68	58	169	58	50	-	-	1.8	1.5
36170	20	3/4"	258	106	107	186	55	63	-	-	6.7	4.0
36171	25	1"	258	106	107	186	55	63	-	-	9.7	4.0
36172	32	1 1/4"	357	146	140	230	75	75	90	120	13.5	9.0
36173	40	1 1/2"	357	146	140	230	75	75	90	120	25.0	9.0
36174	50	2"	428	181	159	243	88	75	90	120	38.9	13.0

Minimum flow rate values (m3/h) according to loss of pressure (according to EN 12729:2002)

CONNECTIONS/DN	1/2"	3/4"	1"	1 1/4"	1 1/2"	2"
Δp 1 Bar	1.9	3.4	5.3	8.7	13.6	21.2
Δp 1.5 Bar	2.9	5.1	7.9	13	20.3	21.8