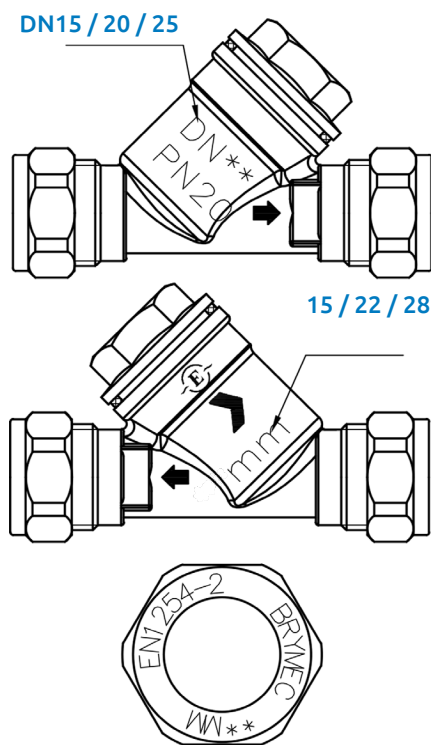


# Brass Y Strainer Compression STR 03



## Features and Benefits

- Brass Body
- Stainless Steel Mesh Filter
- Suitable for both domestic & commercial applications

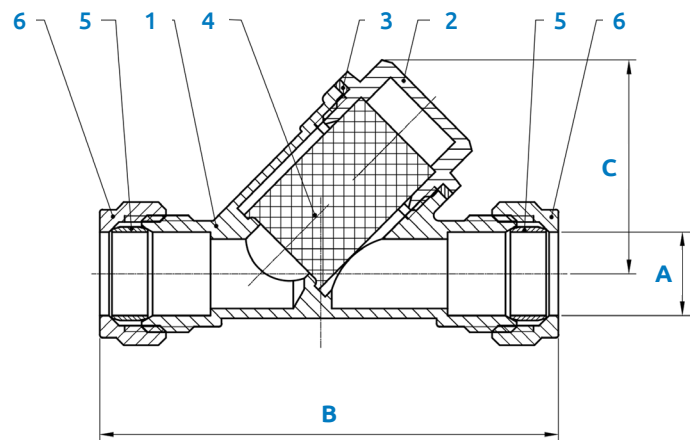


## Technical Data

- Fields of applications: water
- Maximum working pressure: PN20
- Maximum working temperature: 90°C

## Applicable Standards

- Compression connections comply with BS EN 1254-2



## Material Specifications

NO	NAME	MATERIAL	QUANTITY
1	Body	HPb59-T	1
2	Bonnet	HPb59-T	1
3	Washer	PTFE	1
4	Filter	Stainless Steel	1
5	Olive	T2	2
6	Compression nut	HPb59-T	2

## Versions and Products Codes

STOCK NO	DN	A (mm)	B	C
36230	15	15	54	40.5
36231	22	22	64	48.7
36232	28	28	71	52.5