



Brymec 

**Brymec Commercial
Valve Range 2023**

➤ Introducing Brymec Products

Our philosophy has always been to provide the ultimate convenience and peace of mind to our clients. This also includes ensuring that you have the best possible products to select from.

By investing in innovation, we have been able to engineer our own range of products, all manufactured to our exacting specifications to deliver quality solutions for the Building Services Industry.

Every one of our Brymec products is manufactured to the highest quality standards possible and are backed up by our in-house technical support, robust quality controls and industry-leading guarantees.

Our innovative approach simplifies your supply chain, giving you direct access to the manufacturer. This gives you greater control and confidence in Brymec being the right partner for you.

With almost 50 years of experience, we understand the challenges you face and the solutions you require.

This complete understanding of industry products and systems enable us to collaborate with you more effectively and efficiently, to deliver a more comprehensive range of products that are specific to your needs.





➤ Our 3 Step Approach to an **Environmentally Friendly Build...**

Brymec cuts down the movement of products, which cuts the impact to the environment

This helps our customers reduce their carbon footprint of the products they buy from us

Traditional 6 Step Model

- | | | |
|---------------------------------|-------------------------|---------------------|
| 1 Manufacturer | 2 European Distribution | 3 UK Distribution |
| 4 Merchant Central Distribution | 5 Branches | 6 Construction Site |

Our Environmentally Friendly Business Model

-
1. Factory ➔ 2. Brymec ➔ 3. Construction Site

Brymec Valve Introduction

With almost 50 years of industry experience supplying pipework, fittings and valves to the construction market, we have built and developed our commercial valve offering using our unique strengths in manufacturing and technical excellence. We have used the knowledge we have gained over this period of working with Engineers, Designers and Installers to make sure our valves will meet the most stringent demands of your projects.

Brymec valves have been designed and manufactured to deliver optimum performance, energy efficiency and flow control to enable the highest quality standards for your installation. Our valves are manufactured in accordance with the latest industry recognised guidelines such as WRAS (where stated).

Every Brymec valve goes through a rigorous process, from initial design to manufacturing stage, strict testing and robust quality controls, providing utmost confidence in the quality of our commercial valve packages.

With multiple connections available for our valves such as flanged, threaded, compression, and press, we can cover a broad range of applications and our in-house technical team and trained sales staff are able to assist in advising the correct type of valve for your specific applications.

Our track record of successful projects range from vital fast track projects to use on some of the most prestigious buildings in the UK, is evidence that the Brymec commercial valve package is the perfect choice for your projects.





Contents

01 – Ductile Iron Butterfly Valves

02 – Ball Valves

03 – Miniball Isolation Valves

04 – Gate Valves

05 – Stop Cocks & Bib Taps

06 – Check Valves

07 – Strainers

08 – Pressure Reducing Valves

09 – Water Meter Assembly

10 – Safety Valves

11 – Thermostatic Mixing Valves

12 – Balancing Valves

13 – Air Release Valves

14 – Drain Off Cocks

15 – Solenoid Valves

Ductile Iron Butterfly Valves

01



Ductile Iron Butterfly Valves

01

The Brymec range of lugged and wafer butterfly valves are designed for installation between two flanges in accordance with EN1092-2. They are suitable for a wide range of applications. These premium quality WRAS Certified butterfly valves are suitable for use on both heating, chilled water and potable water systems, whilst the butterfly valves with yellow levers are suitable for use on gas services.

Fully Lugged Butterfly Valve

- › DN50 – DN300 size range
- › PN16 Pressure rating
- › Fully lugged suitable for EN1092-2 flanges
- › Stainless Steel Disc
- › Lever and Gearbox operated options
- › WRAS approved EPDM lined



Wafer Butterfly Valve

- › DN50 – DN300 size range
- › PN16 Pressure rating
- › Wafer pattern for quick installation
- › Stainless Steel Disc
- › WRAS approved EPDM lined



Fully Lugged Gas Butterfly Valve

- › DN50 – DN300 size range
- › PN16 Pressure rating
- › Fully lugged suitable for EN1092-2 flanges
- › Stainless Steel Disc
- › Lever and Gearbox operated options
- › NBR Lined suitable for Gas



Ductile Iron Lugged & Tapped Butterfly Valve

CIV2



Features and Benefits

- Lug pattern design, safety for high pressure application
- O-ring stem sealing, low torque operation
- Streamlined stainless steel disc, lower water head lost
- ISO top flange as standard, easy to suit actuators
- Bi-directional shut-off seat
- Eccentric pin on the stem, protects the structure of the stem, providing safety and strength
- Both gear operated and lever operated are available

Technical Data

- Lugged & tapped butterfly valve
- Lever operation
- Body: ductile iron
- Disc: CF8M
- Stem: SS410
- Seat: WRAS EPDM
- Size: DN50 - DN300 (2" to 12")
- Nominal Pressure: PN 16
- Temp. Range: -10°C to +120°C
- Suitable For: Water and neutral liquids

Applicable Standards

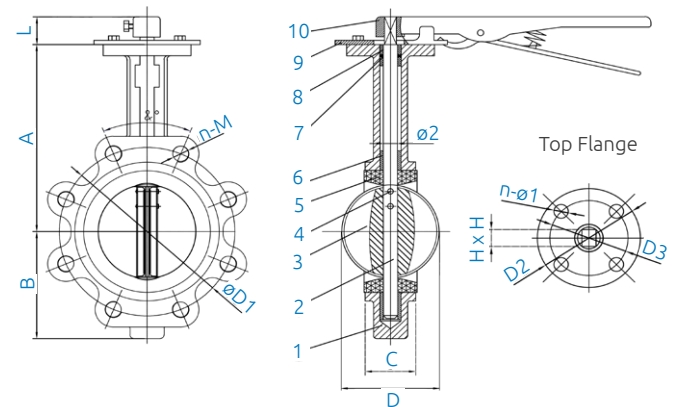
- Design standard: EN 593, BS 5155
- Connection standard: Suitable for EN1092-2
- Face to face standard: EN 558-1 BS 5155
- Top flange standard: ISO5211/1
- Testing standard: EN 12266-1

Product Codes & Dimensions

STOCK NO.	SIZE	A	B	C	D	ø2	ISO5211	D2	D3	n-ø1	HxH	L	n-M	D1	WEIGHT (kg)	TORQUE
38942	DN50	140	80	43	52.9	12.6	F07	90	70	4 - 10	11 x 11	14	4 - M16	125	4.5	12
38943	DN65	150	89	46	64.5	12.6	F07	90	70	4 - 10	11 x 11	14	4 - M16	145	4.8	20
38944	DN80	158	95	46	78.8	12.6	F07	90	70	4 - 10	11 x 11	14	8 - M16	160	5.6	30
38945	DN100	176	114	52	104.0	15.8	F07	90	70	4 - 10	11 x 11	14	8 - M16	180	7.7	50
38946	DN125	190	127	56	123.3	18.9	F07	90	70	4 - 10	14 x 14	17	8 - M16	210	9.6	77
38947	DN150	212	139	56	155.6	18.9	F07	90	70	4 - 10	14 x 14	17	8 - M20	240	10.7	121
38948	DN200	235	174	60	202.5	22.1	F10	125	102	4 - 12	17 x 17	22	12 - M20	295	17.5	242
38949	DN250	265	203	68	250.5	28.5	F10	125	102	4 - 12	22 x 22	22	12 - M24	355	28.3	352
38841	DN300	305	242	78	301.6	31.6	F10	125	102	4 - 12	22 x 22	22	12 - M24	410	41.0	490

Material Specifications

NO	NAME	MATERIAL
1	Body	Ductile Iron JS1040
2	Stem	Stainless Steel SS410
3	Disc	Stainless Steel CF8M
4	Taper pin	Stainless Steel SS316
5	Liner (seat)	EPDM
6	Long Bushing	FRP
7	O-Ring	NBR
8	Short Bushing	FRP
9	Indicator	Carbon Steel
10	Lever	Malleable Iron



Ductile Iron Lugged Gear Operated Butterfly Valve

CIV2G



Features and Benefits

- Lug pattern design, safety for high pressure application
- O-ring stem sealing, low torque operation
- Streamlined stainless steel disc, lower water head lost
- ISO top flange as standard, easy to suit actuators
- Bi-directional shut-off seat
- Eccentric pin on the stem, protects the structure of the stem, providing safety and strength
- Both gear operated and lever operated are available

Technical Data

- Lugged & tapped butterfly valve
- Gear operation
- Size: 6" to 12"
- Nominal Pressure: PN16
- Operating Temperature Range: -10°C to +120°C
- Suitable for : water and neutral liquids

Applicable Standards

- Design standard: EN 593, BS 5155
- Connection standard: Suitable for EN1092-2
- Face to face standard: EN 558-1, BS 5155
- Top flange standard: ISO5211/1
- Testing standard: EN 12266-1

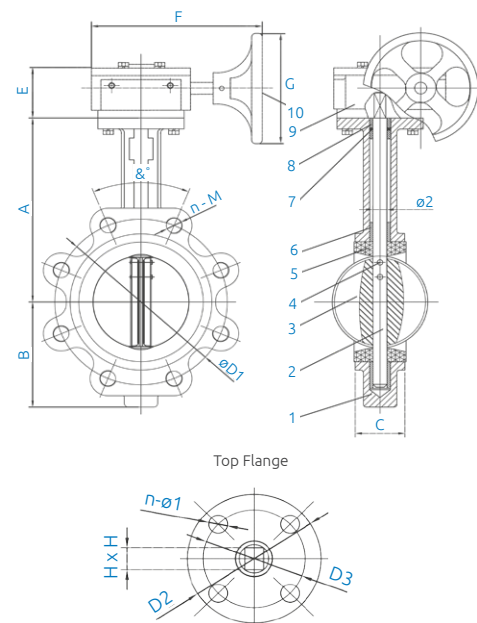
STOCK NO.	REDUCTION RATIO	OUTPUT TORQUE	INPUT TORQUE
38750	24:1	150NM	50NM
38751	30:1	500NM	70NM
38752	30:1	500NM	70NM
38753	50:1	1000NM	90NM

Product Codes & Dimensions

STOCK NO.	SIZE	A	B	C	Ø2	D2	D3	E	F	G	n-Ø1	ØD1	n-M	&°	H x H	WEIGHT (KG)
38750	6"	212	139	56	18.92	90	70	71	195	147	4-10	240	8-M20	45	14x14	12.93
38751	8"	236	174	60	22.10	125	102	82	285	292	4-12	295	12-M20	30	17x17	21.50
38752	10"	265	203	68	28.45	125	102	82	285	292	4-12	355	12-M24	30	22x22	31.22
38753	12"	305	242	78	31.60	125	102	82	285	292	4-12	410	12-M24	30	22x22	47.00

Material Specifications

NO	NAME	MATERIAL	QTY
1	Body	DI	1
2	Shaft	SS410	1
3	Disc	CF8M	1
4	Taper Pin	SS316	2
5	Seat Liner	EPDM	1
6	Long Bushing	FRP	2
7	O-Ring	NBR	1
8	Short Bushing	FRP	2
9	Worm Gear	DI	1
10	Hand Wheel	CI	1



Ductile Iron Wafer Butterfly Valve

CIV1



Features and Benefits

- Wafer pattern design, for quick installation
- Wider EPDM seat design, replaceable, suits different type of flanges
- Streamlined stainless steel disc, lower water head lost
- ISO top flange as standard, easy to suit actuators
- Bi-directional shut-off seat
- Eccentric pin on the stem, protects the structure of the stem, providing safety and strength
- Lever operation DN50 - DN150
- Gearbox operation DN200 - DN300

Technical Data

- Water butterfly valve (21/2" to 10")
- Lever operation
- Body: ductile iron
- Disc: CF8M
- Stem: SS410
- Seat: WRAS EPDM
- Size: DN300, DN150
- Nominal Pressure: PN 16
- Temp. Range: -20 to +100°C
- Suitable For: Water and neutral liquids

Applicable Standards

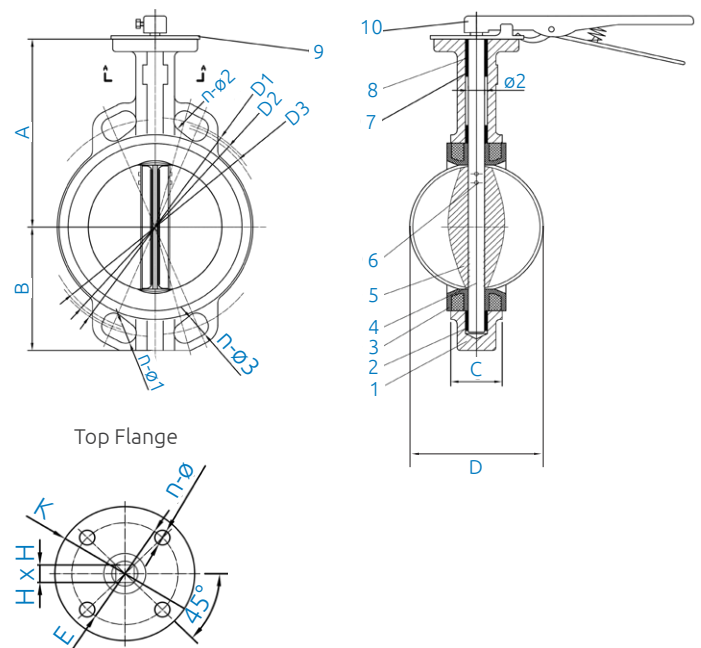
- Design standard: EN 593, BS 5155
- Connection standard: Suitable for EN1092-2
- Face to face standard: EN 558-1 BS 5158
- Top flange standard: ISO5211/1
- Testing standard: EN 12266-1

Product Codes & Dimensions

STOCK NO.	SIZE	A	B	C	D	ø2	ISO5211	K	E	4-ØD	HxH	L	OD	ID	WEIGHT (kg)	TORQUE
38935	DN50	140	80	43	52.9	12.6	F07	90	70	4 - 10	11 x 11	14	165	125	3.3	12
38936	DN65	150	89	46	64.5	12.6	F07	90	70	4 - 10	11 x 11	14	185	145	3.8	20
38937	DN80	158	95	46	78.8	12.6	F07	90	70	4 - 10	11 x 11	14	200	160	4.0	30
38938	DN100	176	114	52	104	15.8	F07	90	70	4 - 10	11 x 11	14	220	180	5.2	50
38939	DN125	190	127	56	123.3	18.9	F07	90	70	4 - 10	14 x 14	17	250	210	7.1	77
38940	DN150	212	139	56	155.6	18.9	F07	90	70	4 - 10	14 x 14	17	285	240	8.0	121
38941	DN200	235	174	60	202.5	22.1	F10	125	102	4 - 12	17 x 17	22	340	295	14.0	242
38820	DN250	265	203	68	250.5	28.5	F10	125	102	4 - 12	22 x 22	22	405	355	20.0	352
38827	DN300	305	242	78	301.6	31.6	F10	125	102	4 - 12	22 x 22	22	460	410	29.5	490

Material Specifications

NO	NAME	MATERIAL
1	Body	Ductile Iron JS1040
2	Disc	Stainless Steel CF8M
3	Stem	Stainless Steel SS410
4	Seat	EPDM



Ductile Iron Lugged & Tapped Butterfly Valve (GAS)

CIV7  **Brymec**
Warranty



Features and Benefits

- Lug pattern design, safety for high pressure application
- O-ring stem sealing, low torque operation
- Streamlined stainless steel disc, lower water head lost
- ISO top flange as standard, easy to suit actuators
- Bi-directional shut-off seat
- Eccentric pin on the stem, protects the structure of the stem, providing safety and strength
- Both gear operated and lever operated are available

Technical Data

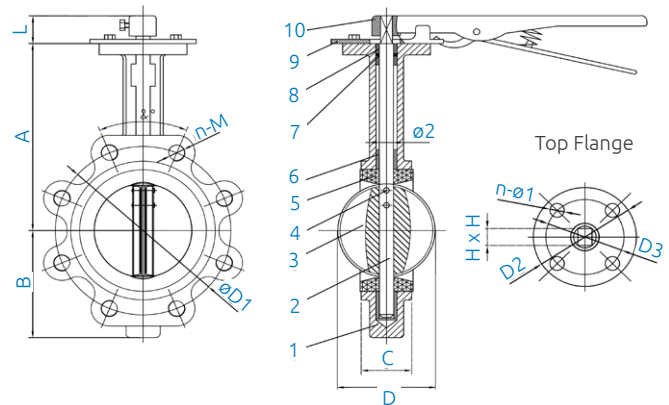
- Lugged & tapped butterfly valve
- Lever operation
- Body: ductile iron
- Disc: CF8M
- Stem: SS410
- Seat: NBR
- Size: DN50 - DN300 (2" to 12")
- Nominal Pressure: PN 16
- Temp. Range: 0 to +80°C
- Suitable For: Gas

Applicable Standards

- Design standard: EN 593, BS 5155
- Connection standard: Suitable for EN1092-2
- Face to face standard: EN 558-1 BS 5155
- Top flange standard: ISO5211/1
- Testing standard: EN 12266-1

Material Specifications

NO	NAME	MATERIAL
1	Body	Ductile Iron JS1040
2	Stem	Stainless Steel SS410
3	Disc	Stainless Steel CF8M
4	Taper Pin	Stainless Steel SS316
5	Liner (Seat)	NBR
6	Long Bushing	FRP
7	O-Ring	NBR
8	Short Bushing	FRP
9	Indicator	Carbon Steel
10	Lever	Malleable Iron



Product Codes & Dimensions

STOCK NO.	SIZE	A	B	C	D	ø2	ISO5211	D2	D3	n-ø1	HxH	L	n-M	D1	WEIGHT (kg)	TORQUE
39004	DN50	140	80	43	52.9	12.6	F07	90	70	4 - 10	11 x 11	14	4 - M16	125	4.5	12
38950	DN65	150	89	46	64.5	12.6	F07	90	70	4 - 10	11 x 11	14	4 - M16	145	4.8	20
38951	DN80	158	95	46	78.8	12.6	F07	90	70	4 - 10	11 x 11	14	8 - M16	160	5.6	30
38952	DN100	176	114	52	104.0	15.8	F07	90	70	4 - 10	11 x 11	14	8 - M16	180	7.7	50
38953	DN125	190	127	56	123.3	18.9	F07	90	70	4 - 10	14 x 14	17	8 - M16	210	9.6	77
38954	DN150	212	139	56	155.6	18.9	F07	90	70	4 - 10	14 x 14	17	8 - M20	240	10.7	121
38955	DN200	235	174	60	202.5	22.1	F10	125	102	4 - 12	17 x 17	22	12 - M20	295	17.5	242
38869	DN250	265	203	68	250.5	28.5	F10	125	102	4 - 12	22 x 22	22	12 - M24	355	28.3	352
38876	DN300	305	242	78	301.6	31.6	F10	125	102	4 - 12	22 x 22	22	12 - M24	410	41.0	490

Ductile Iron Lugged Gear Operated Butterfly Valve (GAS)

CIV7G 



Features and Benefits

- Lug pattern design, safety for high pressure application
- O-ring stem sealing, low torque operation
- Streamlined stainless steel disc, lower water head lost
- ISO top flange as standard, easy to suit actuators
- Bi-directional shut-off seat
- Eccentric pin on the stem, protects the structure of the stem, providing safety and strength
- Both gear operated and lever operated are available

Technical Data

- Lugged & tapped butterfly valve
- Gear operation
- Size: 6" to 12"
- Nominal Pressure: PN16
- Operating Temperature Range: 0°C to +80°C
- Suitable for : Gas

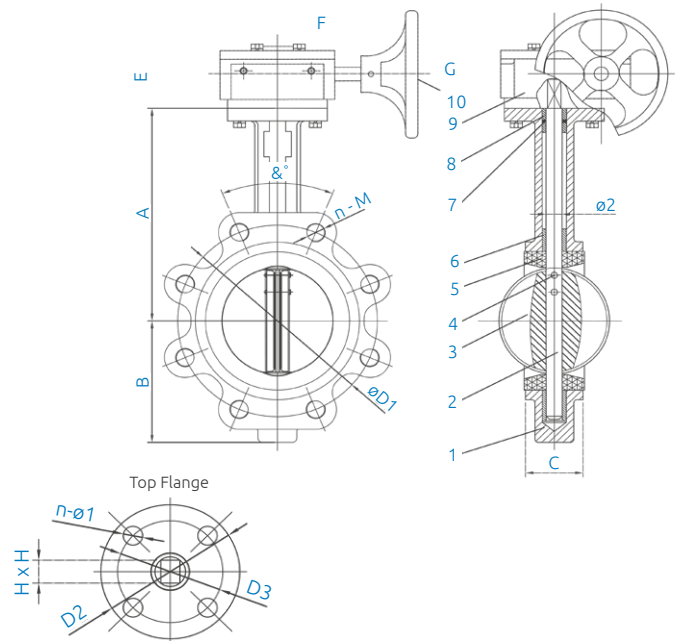
Applicable Standards

- Design standard: EN 593, BS 5155
- Connection standard: Suitable for EN1092-2
- Face to face standard: EN 558-1, BS 5155
- Top flange standard: ISO5211/1
- Testing standard: EN 12266-1

STOCK NO.	REDUCTION RATIO	OUTPUT TORQUE	INPUT TORQUE
38740	24:1	150NM	50NM
38741	30:1	500NM	70NM
38742	30:1	500NM	70NM
38743	50:1	1000NM	90NM

Product Codes & Dimensions

STOCK NO.	SIZE	A	B	C	Ø2	D2	D3	E	F	G	n-Ø1	ØD1	n-M	&°	H x H	WEIGHT (KG)
38740	6"	212	139	56	18.92	90	70	71	195	147	4-10	240	8-M20	45	14x14	12.93
38741	8"	236	174	60	22.10	125	102	82	285	292	4-12	295	12-M20	30	17x17	21.50
38742	10"	265	203	68	28.45	125	102	82	285	292	4-12	355	12-M24	30	22x22	31.22
38743	12"	305	242	78	31.60	125	102	82	285	292	4-12	410	12-M24	30	22x22	47.00

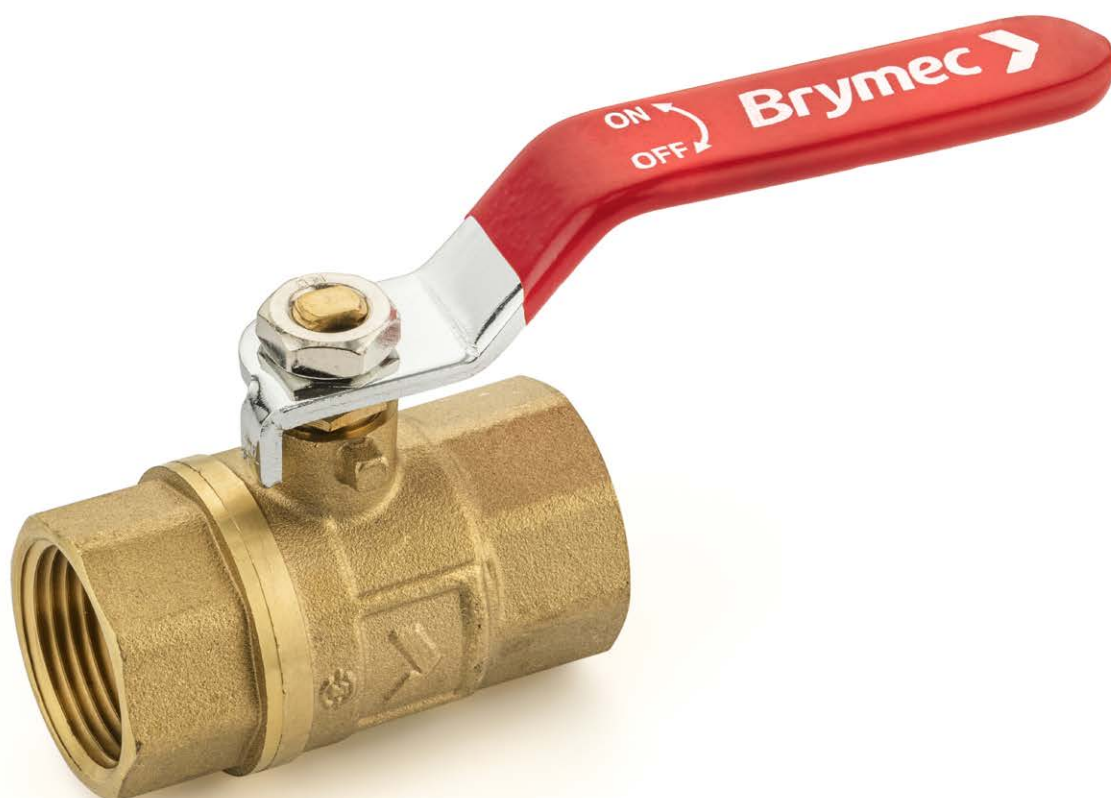


Material Specifications

NO	NAME	MATERIAL	QTY
1	Body	DI	1
2	Shaft	SS410	1
3	Disc	CF8M	1
4	Taper Pin	SS316	2
5	Seat Liner	NBR	1
6	Long Bushing	FRP	2
7	O-Ring	NBR	1
8	Short Bushing	FRP	2
9	Worm Gear	DI	1
10	Hand Wheel	CI	1

Ball Valves

02



Ball Valves

02

The Brymec range of lever ball valves are manufactured to the highest quality standards and designed for a long, trouble-free lifespan. They are compact valves, easy to install and operate and are suitable for a wide variety of applications making them an ideal solution for isolating a wide range of mediums in pipework services. Our ball valves are full bore, enabling high flow rates and minimal pressure drops. Applications include potable water (WRAS Valves), heating, chilled water and gas services.

DZR Brass Ball Valves

- › DN15 to DN50 size range
- › High Quality DZR Brass
- › WRAS approved
- › Suitable for chilled water applications
- › Threaded, Compression and Press connections
- › Lever operated with Lockable and Extended options



Brass Ball Valves

- › DN8 to DN100 size range
- › Nickel Plated Brass
- › WRAS approved
- › Threaded and Compression connections
- › Lever handles with lockable and extended options
- › Butterfly 'T' handle options



Gas Ball Valves

- › DN10 to DN65 size range
- › Nickel Plated Brass
- › EN331 Approved for gas applications
- › Threaded and Compression connections
- › Yellow Lever handles for clear identification





DZR Brass Lever Ball Valve - FxF BSPT

LBV1

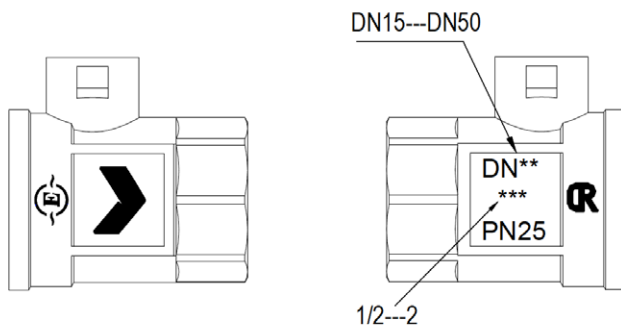


Features and Benefits

- Screwed BSP Taper threads
- PTFE seats & seals
- Anti blow out stem
- Full bore, bi-directional flow
- Red & Blue handle included
- Locking lever & extension

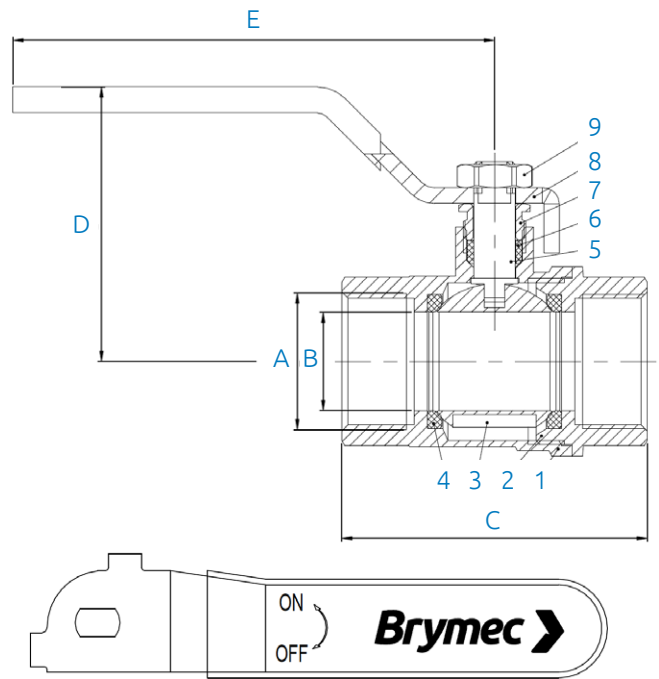
Technical Data

- Fields of applications: water
- Maximum working pressure: PN25
- Working temperature: -20°C to +120°C
- Full bore



Applicable Standards

- Valves are manufactured in accordance with: EN13828
- Female thread connections are to: ISO 7/1
- WRAS approved



Product Codes & Dimensions

STOCK NO.	A (DN)	B (mm)	C (mm)	D (mm)	E (mm)
38835	1/2"	14.5	55	50	93
38836	3/4"	19	67	53	93
38837	1"	24	75	62	115
38838	1 1/4	30	75	72	127
38839	1 1/2	40	95	76	162
38840	2"	45	117	91	180

Material Specifications

NO	COMPONENT	MATERIAL	QUANTITY	OTHER
1	Body	CW602N	1	Natural
2	Seat	CW602N	2	Natural
3	Ball	CW602N	1	Chrome Plated
4	Ball Seat	PTFE	1	-
5	Stem	Brass	1	Natural
6	Packing	PTFE	1	-
7	Lock Nut	Brass	1	Natural
8	Handle	Q235+PVC	1	Red & Blue
9	Nut	Q235	1	Zinc Plated



DZR Brass Lever Ball Valve - Compression

LBV1C



Features and Benefits

- Compression ended
- DZR brass construction
- Full bore, bi-directional flow
- PTFE seats & seals
- WRAS approved
- Locking lever & spindle extension
- Options available

Technical Data

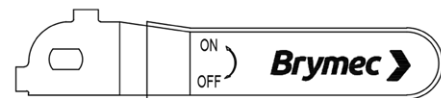
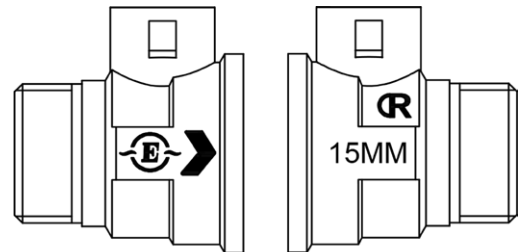
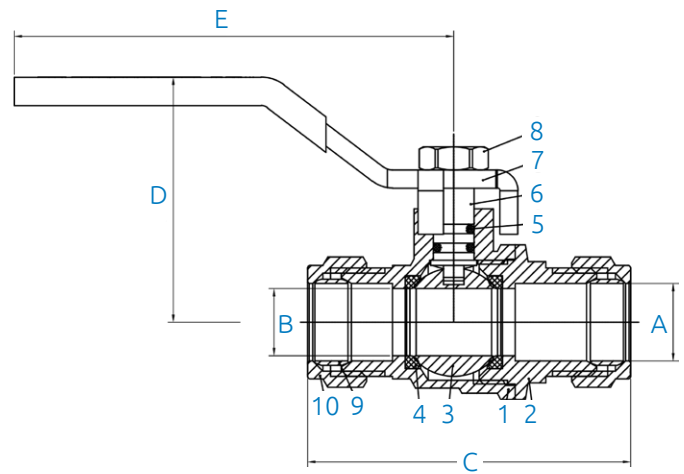
- Fields of applications: water
- Maximum working pressure: PN25
- Working temperature: -10°C to +110°C

Applicable Standards

- Compression connections comply with BS EN 1254-2
- WRAS approved

Material Specifications

NO	NAME	MATERIAL	QUANTITY	OTHER
1	Body	CZ132	1	Natural
2	Bonnet	CZ132	1	Natural
3	Ball	Brass	1	Chrome Plated
4	Ball Seat	PTFE	2	WRAS Approved
5	O Ring	NBR	2	WRAS Approved
6	Stem	Brass	1	Natural
7	Nut	Q235	1	Nickel Plating
8	Handle	Q235+PVC	1	Red & Blue Chrome Plated
9	Comp Nut	Brass	2	Natural
10	Olive	T2	2	-



Product Codes & Dimensions

STOCK NO	DN/A	B	C	D	E
38849	15	13	63.5	47.5	86
38850	22	19	80.0	51.5	86
38851	28	24	82.5	63.5	111.4
38852	35	32	110.5	74.3	138.5
38853	42	40	120.0	84	138.5
38854	54	49	136.5	90	169



DZR Brass Lever Ball Valve - Press Fit

LBV1PF

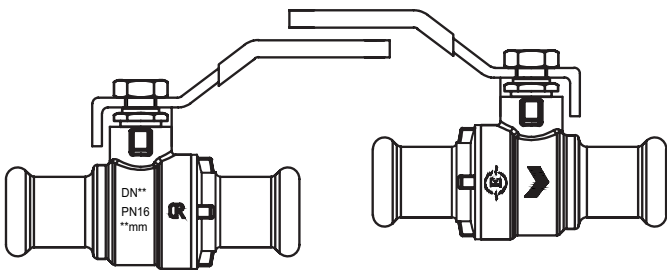


Features and Benefits

- PTFE Seats and Seams
- EPDM 'O' Ring
- Red & Blue Levers Included
- Can be equipped with a Spindle Extension
- Can be equipped with a Locking Handle

Applicable Standards

- WRAS Approved
- Press-Fit end comply with EN1254-7

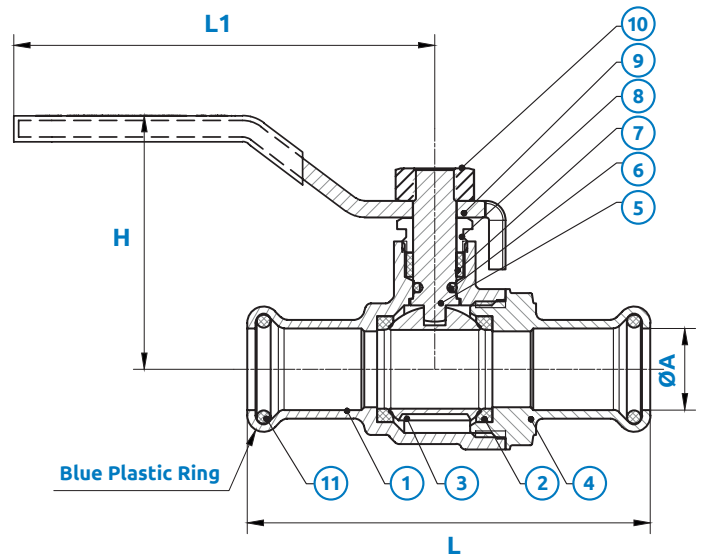


Material Specifications

NO	NAME	MATERIAL	QTY	OTHER
1	Body	DZR brass / CW617N	1	Brass Colour / Nickel Plating
2	Ball Seat	PTFE	2	WRAS Approved
3	Ball	Brass / SUS304	1	Chrome Plated
4	Bonnet	DZR brass / CW617N	1	Brass Colour / Nickel Plating
5	Stem	Brass	1	
6	O-Ring	EPDM	2	WRAS Approved
7	Packing	PTFE	1	
8	Lock Nut	Brass	1	Brass Colour / Nickel Plating
9	Handle	Q235 + PVC / AL	2	
10	Nut	SS304	1	
11	O-Ring	EPDM	2	WRAS Approved

Technical Data

- Field of applications: Water
- Pressure Rating: PN16
- Working temperature: -10°C to +100°C
- Full Bore Design
- Press Profile: M Profile



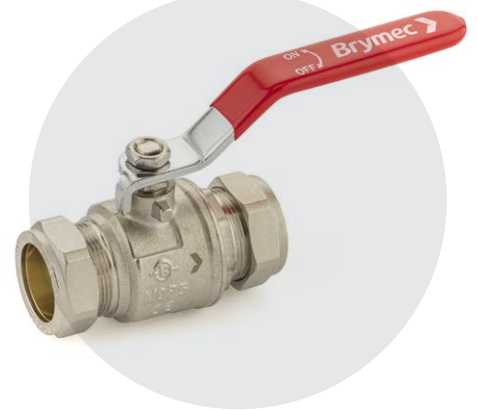
Product Codes and Dimensions

STOCK NO	A (mm)	L (mm)	L1 (mm)	H (mm)
38806	15	74	92	47.5
38807	22	85.5	92	51.5
38808	28	99	115	63.5
38809	35	113.2	115	74.5
38810	42	135	180	84
38811	54	164.5	180	90



Brass Lever Ball Valve - Compression

LBV2C

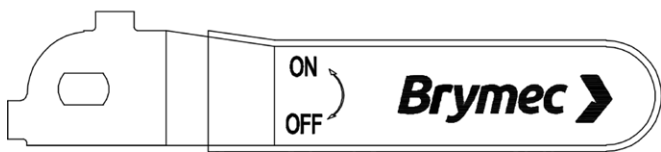
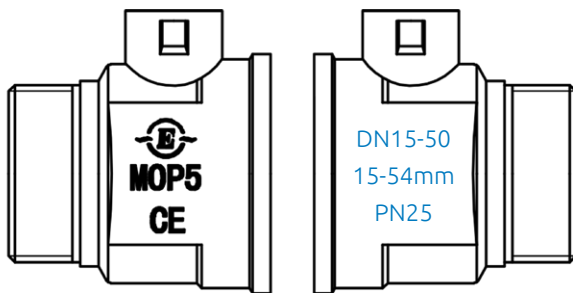


Features and Benefits

- Compression connections
- PTFE seats & seals
- Full Bore, bi-directional flow
- Red & Blue handle included
- Locking lever and spindle extension options available

Technical Data

- Fields of applications: water
- Maximum working pressure: 25 Bar
- Operating temperature range: -20°C to +110°C

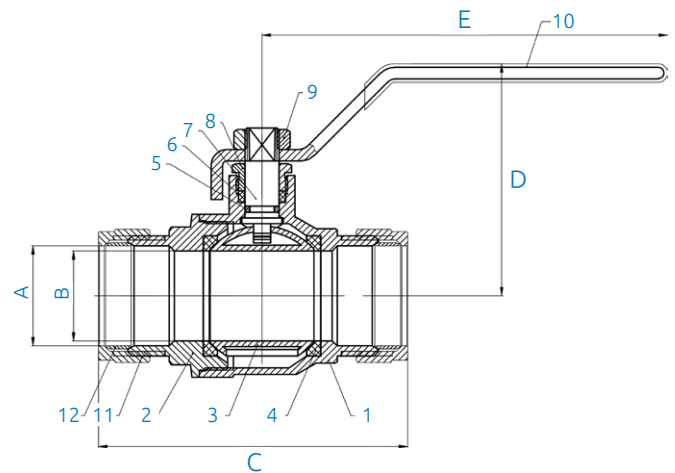


Product Codes & Dimensions

STOCK NO	DN	SIZE	A	B	C	D	E
30750	½"	15	14.4	70.5	47	88	
30751	¾"	22	19	82	52	100	
30752	1"	28	24.5	91	65	125	
30753	1¼"	35	31.5	108	78	142	
30754	1½"	42	39.5	123	88	142	
30755	2"	54	49.5	144	96	165	

Applicable Standards

- Valves are manufactured in accordance with EN13828
- Compression connections comply with EN1254-2
- WRAS approved, full bore



Material Specifications

ITEM	PARTS	MATERIAL	QTY	OTHER
1	Body	HPb59-T	1	NP
2	Bonnet	HPb59-T	1	NP
3	Ball	HPb59-T	1	Chrome Plated
4	Ball Seat	PTFE	2	WRAS
5	O-ring	EPDM	1	WRAS
6	Packing	PTFE	1	WRAS
7	Stem	HPb59-T	1	NP
8	Lock nut	HPb59-T	1	NP
9	Nut	SS304	1	-
10	Handle	Q235+PVC	2	Red & Blue
11	Compression nut	HPb59-T	2	NP
12	Olive	H65	2	-

Bass Lever Ball Valve - FxF BSPP

LBV2

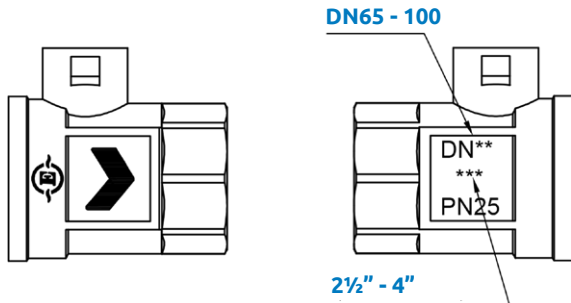


Features and Benefits

- Screwed BSP parallel
- PTFE seats & seals
- Anti blow out stem
- Full bore, bi-directional flow
- Locking lever handles available
- Thermal extension spindle options

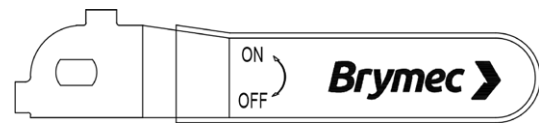
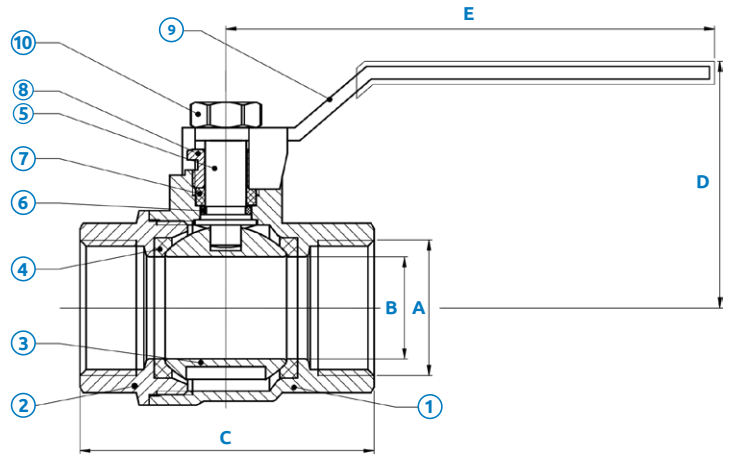
Applicable Standards

- Valves are manufactured in accordance with: EN13828
- Female thread connections are to: ISSO228
- WRAS approved, full bore



Technical Data

- Fields of applications: Water
- Max. working pressure: PN25
- Operating temperature range: -20°C to +120°C



Material Specifications

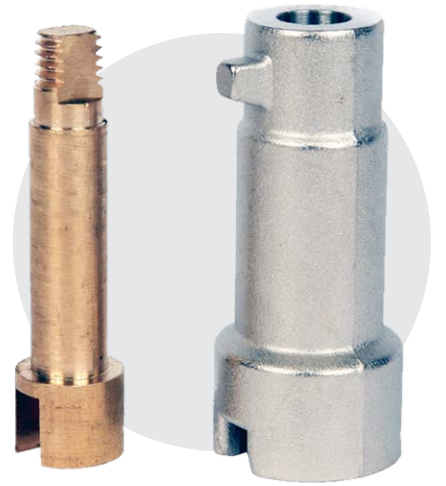
NO	NAME	MATERIAL	QTY	OTHER
1	Body	HPb59-T	1	Nickel Plating
2	Bonnet	HPb59-T	1	Nickel Plating
3	Ball	HPb59-T	1	Chrome Plated
4	Ball Seat	PTFE	2	-
5	O-Ring	HPb59-T	1	NP
6	Packing	EPDM	1	-
7	Stem	PTFE	1	-
8	Lock Nut	HPb59-T	1	Nickel Plating
9	Handle	Q235 + PVC	1	Red & Blue CP
10	Nut	Q235	1	Zinc Plating

Product Codes and Dimensions

STOCK NO	DN	A	B (mm)	C (mm)	D (mm)	E (mm)
30725	2 1/2"	2 1/2"	62	138	128.5	24.1
30726	3"	3"	73	168	132	225
30727	4"	4"	90	199	143	280

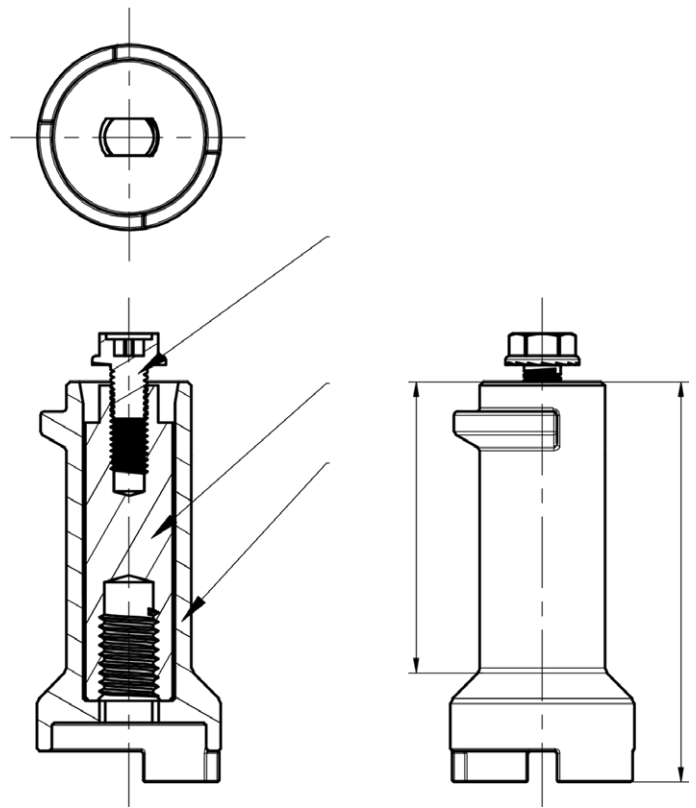
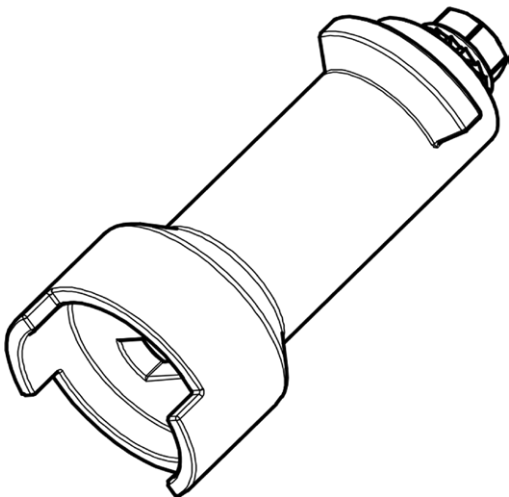
Stem Extension for DZR ball valves

LBV5ES



Features and Benefits

- Lever operation post pipework insulation
- Can be retro fitted
- Suitable for both Brymec DZR and brass lever ball valves
- Robust bolted design



Product Codes & Dimensions

STOCK NO	DN	H	L
36650	1/4" - 3/4" / 15 - 22mm	55	39
36651	1" / 28mm	57	40
36653	1 1/4" - 1 1/2" / 35 - 42mm	62	45
36654	2" / 54mm	66	48

Material Specifications

NO	NAME	MATERIAL	QUANTITY	OTHER
1	Screw	Brass	1	Nickel Plated
2	Stem	Brass	1	Surface Brass Colour
3	Sleeve	Q235	1	Nickel Plated

Locking Handle for DZR ball valves

LBV5LH

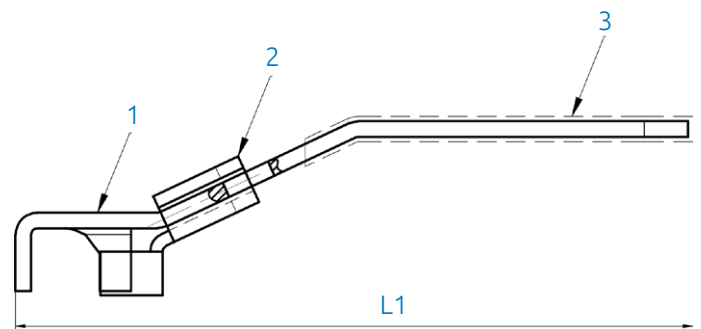


Features and Benefits

- Prevents Unauthorised operation
- Can be retro fitted
- Suitable for both Brymec DZR and std brass lever ball valves

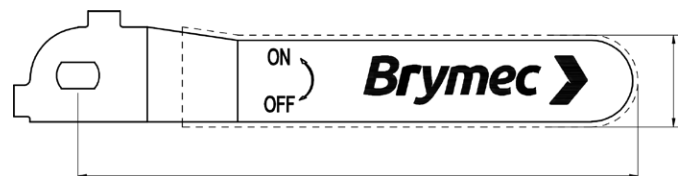
Product Codes & Dimensions

STOCK NO	DN	W	L1	L2
36659	1/4" - 3/4" / 15 - 22mm	19	105	95
36660	1" / 28mm	21	145	130
36662	1 1/4" - 1 1/2" / 35 - 42mm	25	185	167
36663	2" / 54mm	28	198	178



Material Specifications

NO	NAME	MATERIAL	QUANTITY	OTHER
1	Lever Handle	Q235	1	Chrome Plated
2	Slide Block	Q235	1	Chrome Plated
3	Sleeve	PVC	1	Black Colour





Brass Butterfly Handle Ball Valve - Compression

LBV3C

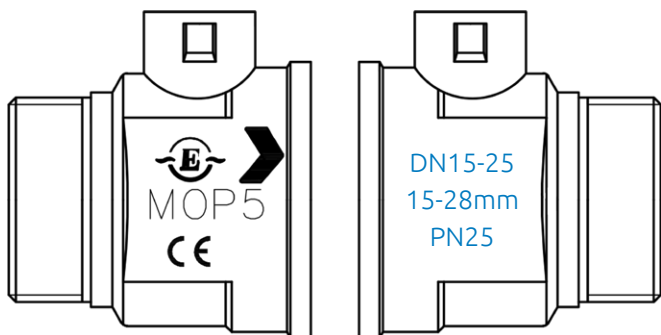


Features and Benefits

- Red & Blue butterfly T handle
- Full Bore, Bi-directional flow
- Compression connections for copper

Applicable Standards

- Valves are manufactured in accordance with EN13828
- Compression connections comply with EN1254-2
- WRAS approved, full bore

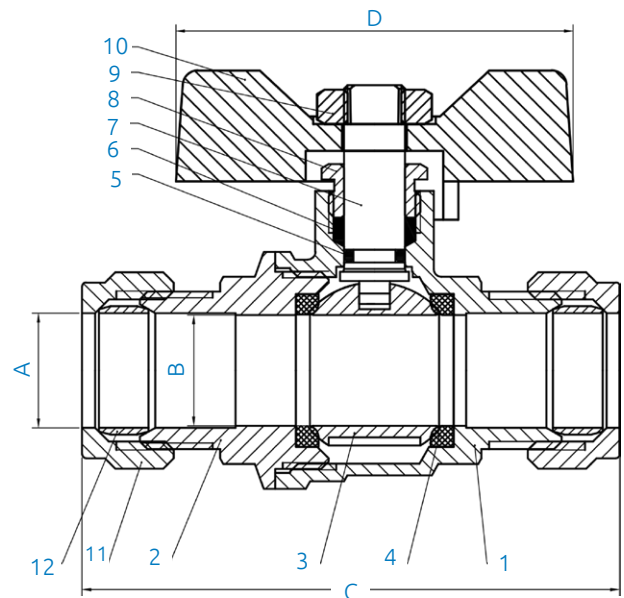


Product Codes & Dimensions

STOCK NO	DN	A	B	C	D
30770	1/2"	15	14.5	70.5	52
30771	3/4"	22	19	82	52
30772	1"	28	24.5	91	62

Technical Data

- Fields of applications: water
- Maximum working pressure: 25 Bar
- Operating temperature range: -20°C to +110°C



Material Specifications

ITEM	PARTS	MATERIAL	QTY	OTHER
1	Body	ND15-25	1	NP
2	Bonnet	HPb59-T	1	NP
3	Ball	HPb59-T	1	Crome plated
4	Ball Seat	PTFE	2	WRAS
5	O-ring	EPDM	1	WRAS
6	Packing	PTFE	1	WRAS
7	Stem	HPb59-T	1	NP
8	Lock nut	HPb59-T	1	NP
9	Nut	SS304	1	-
10	Handle	Aluminium Alloy	2	Red & Blue
11	Compression nut	HPb59-T	2	NP
12		H65	2	-

Brass Butterfly Handle Ball Valve FxF BSPP

LBV3



Features and Benefits

- Red & Blue butterfly T handle
- Full Bore, Bi-directional flow
- F x F BSP threaded

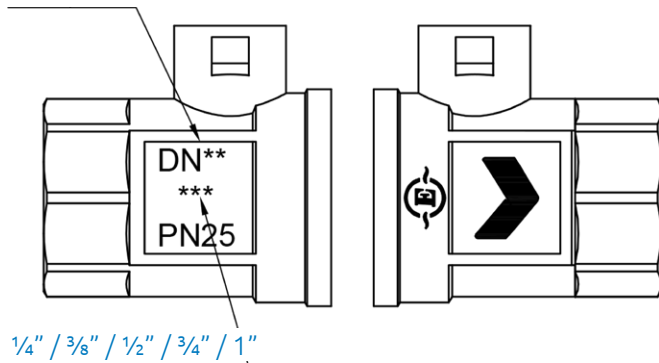
Applicable Standards

- Valves are manufactured in accordance with EN13828
- Female thread connections are to ISO228
- WRAS approved, full bore

Technical Data

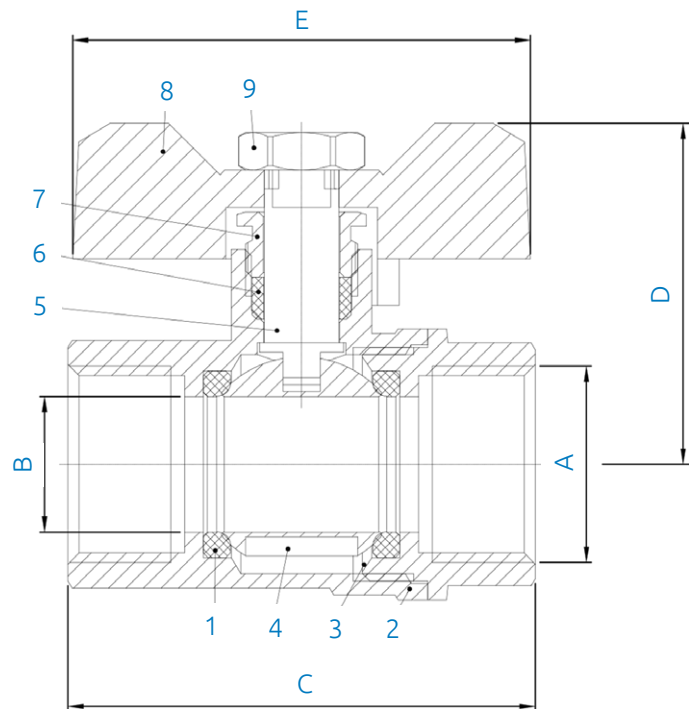
- Fields of applications: water
- Maximum working pressure: 25 Bar
- Operating temperature range: -20°C to +120°C

DN8 / DN10 / DN15 / DN20 / DN25



Product Codes & Dimensions

STOCK NO	DN	SIZE	A	B	C	D	E
36667	8	G 1/4	10	44	35.4	49	
36668	10	G 3/8	10	44	35.4	49	
30473	15	G 1/2	14.5	50	41	49	
30474	20	G 3/4	19	59	41	49	
36669	25	G 1	24	65	53	65.5	



Material Specifications

ITEM	PARTS	MATERIAL	QTY	OTHER
1	Body	HPb59-T	1	NP
2	Bonnet	HPb59-T	1	NP
3	Ball	HPb59-T	1	Chrome Plated
4	Ball Seat	PTFE	2	WRAS
5	Stem	HPb59-T	1	NP
6	Packing	PTFE	1	WRAS
7	Lock Nut	HPb59-T	1	NP
8	Bfy Handle	Aluminium Alloy	2	Red & Blue
9	Nut	Q235	1	NP

Brass Butterfly Handle Ball Valve - FxM BSPP

LBV3FM



Features and Benefits

- Red & Blue butterfly T handle
- Full Bore, Bi-directional flow
- F x M BSP threaded

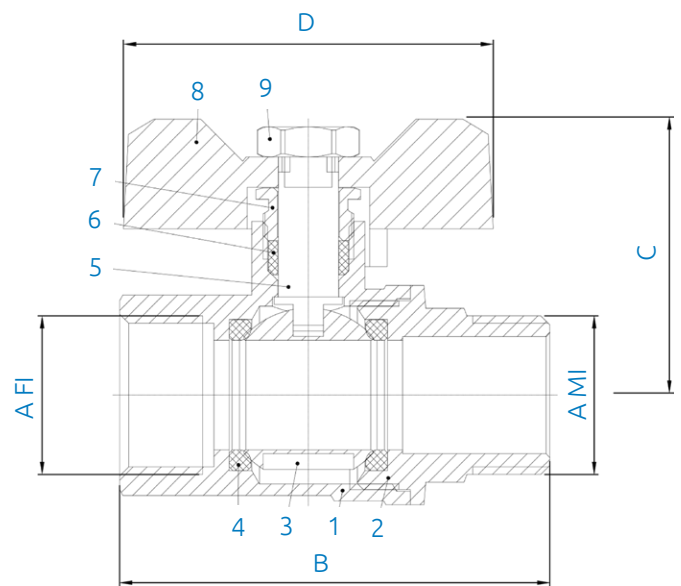
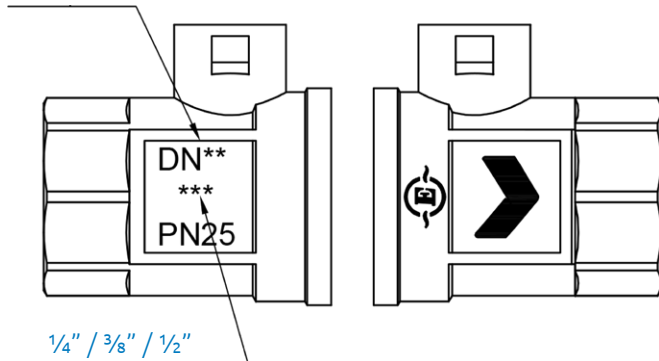
Applicable Standards

- Valves are manufactured in accordance with EN13828
- Female thread connections are to ISO228
- WRAS approved, full bore

Technical Data

- Fields of applications: water
- Maximum working pressure: 25 Bar
- Operating temperature range: -20°C to +120°C

DN8 / DN10 / DN15



Material Specifications

ITEM	PARTS	MATERIAL	QTY	OTHER
1	Body	HPb59-T	1	NP
2	Bonnet	HPb59-T	1	NP
3	Ball	HPb59-T	1	Chrome Plated
4	Ball Seat	PTFE	2	WRAS
5	Stem	HPb59-T	1	NP
6	Packing	PTFE	1	WRAS
7	Lock Nut	HPb59-T	1	NP
8	Bfy Handle	Aluminium Alloy	2	Red & Blue
9	Nut	Q235	1	NP

Product Codes & Dimensions

STOCK NO	DN	SIZE A	B (mm)	C (mm)	D (mm)
36670	8	1/4"	54	35.4	49
36671	10	3/8"	54	35.4	49
36672	15	1/2"	57	41	49

Brass Butterfly Handle Ball Valve - MxM BSPP

LBV3MM



Features and Benefits

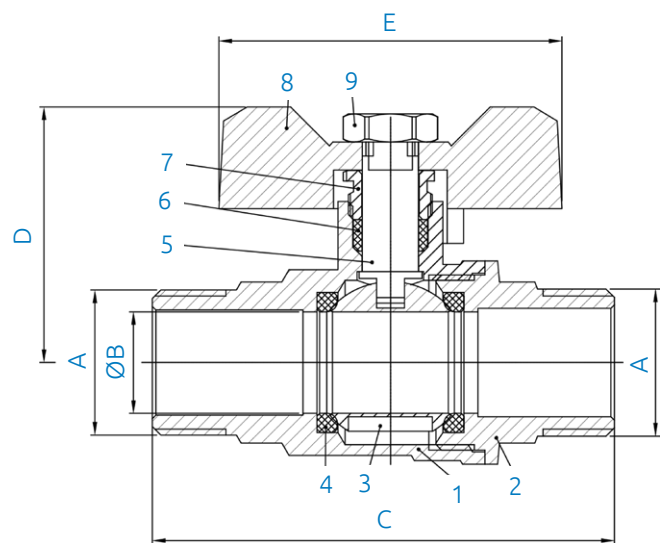
- Red & Blue butterfly T handle
- Full Bore, Bi-directional flow
- M x M BSP threaded

Applicable Standards

- Valves are manufactured in accordance with EN13828
- Female thread connections are to ISO228
- WRAS approved, full bore

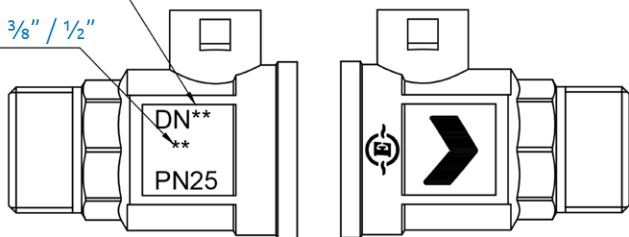
Technical Data

- Fields of applications: water
- Maximum working pressure: 25 Bar
- Operating temperature range: -20°C to +120°C



DN10 / DN15

3/8" / 1/2"



Product Codes & Dimensions

STOCK NO	DN	SIZE	A	B	C	D	E
36676	10	3/8"	10	61	35.5	49	
36677	15	1/2"	14.5	66	36.5	49	

Material Specifications

ITEM	PARTS	MATERIAL	QTY	OTHER
1	Body	HPb59-T	1	NP
2	Bonnet	HPb59-T	1	NP
3	Ball	HPb59-T	1	Chrome Plated
4	Ball Seat	PTFE	2	WRAS
5	Stem	HPb59-T	1	NP
6	Packing	PTFE	1	WRAS
7	Lock Nut	HPb59-T	1	NP
8	Bfy Handle	Aluminium Alloy	2	Red & Blue
9	Nut	Q235	1	NP

Brass Lever Ball Valve - FxF BSPT (GAS)

LBV4



Features and Benefits

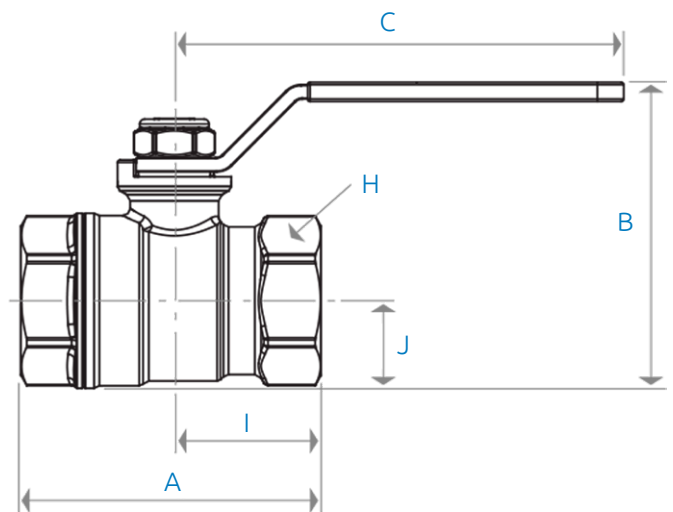
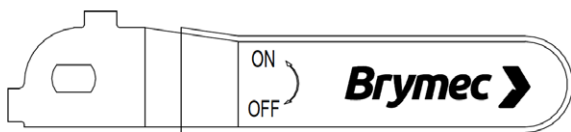
- Gas Ball valve with BSP female connections
- Yellow handle for use in gas installations
- Full bore Bi-directional flow
- EN 311 2016 certified Class A
- Suitable for dangerous gas and liquid hydrocarbons
- Stem with Double O-ring
- Nut with anti-corrosion coating with guarantee seal and hologram

Applicable Standards

- DIN EN 331:2016 certified; class A
- EN 331:2015 approved
- CE approved
- Threads in accordance with EN 10226-1

Technical Data

- Temperature range: -20°C to +60°C
- Max working pressure at 20°C with liquid hydrocarbons: 1, 2 MPa (12 Bar)
- Max operating pressure (MOP) with gas: 0, 5 MPa (5 Bar)



Materials Specification

NAME	MATERIAL	QUANTITY	OTHER
Body	CW617N	1	Chrome Plated
Seats	PTFE	2	Low friction profile
Ball	Brass	1	Chrome Plated
Body End	CW617N	1	Chrome Plated
Lever	Steel	1	PVC Yellow
Nut	Steel	1	Anti-Corrosion

Product Codes & Dimensions

STOCK NO	DN	SIZE Rp	A	I	B	J	C	H
30732	10	3/8"	45	22	46	14	77	21
30733	15	1/2"	54	27	49	15	77	25
30734	20	3/4"	63	31	64	18	94	32
30735	25	1"	75	38	73	23	94	39
30738	32	1 1/4"	84	42	82	28	94	48
30739	40	1 1/2"	93	46	100	33	136	55
30740	50	2"	107	54	115	41	136	67
30741	58	2 1/2"	146	73	154	52	173	82



Brass Lever Ball Valve - Compression (GAS)

LBV4C

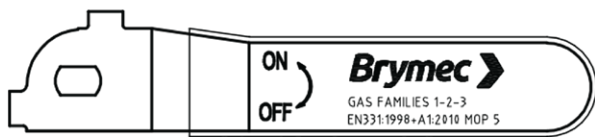
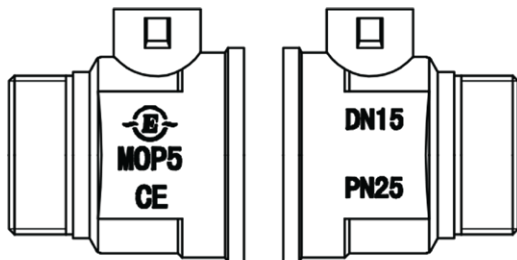


Features and Benefits

- Gas Ball valve with BSP female connections
- Yellow handle for use in gas installations
- Full bore Bi-directional flow
- WRAS & EN 331 approved
- Locking lever, tee handle & spindle extension options

Applicable Standards

- Valves are manufactured in accordance with EN331
- Compression connections comply with EN1254-2
- WRAS approved, full bore

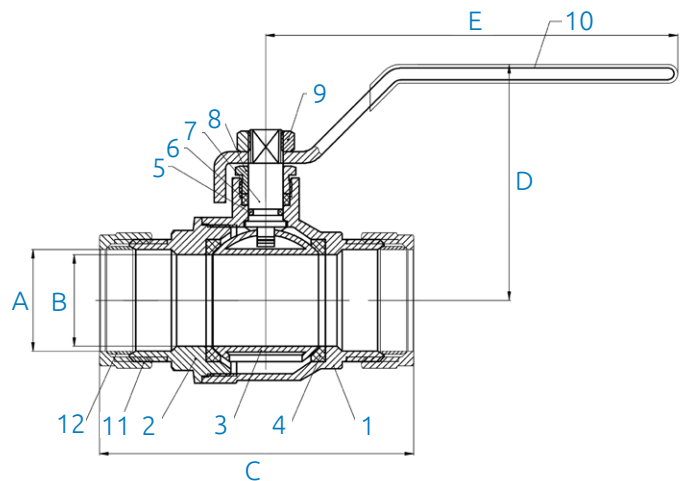


Product Codes & Dimensions

STOCK NO.	DN	A	B	C	D	E
30758	15	15	14.5	70.5	47	88
30759	22	22	19	82	52	100
30760	28	28	24.5	91	65	125
30761	35	35	31.5	108	78	142
30762	42	42	39.5	123	88	142
30763	54	54	49.5	144	96	165

Technical Data

- Fields of applications: gas and water
- Maximum working pressure: 25 Bar (water); -20°C to +60°C (gas)
- Operating temperature range: -20°C to +110°C (water); -20°C to +60°C (gas)



Materials Specification

ITEM	NAME	MATERIAL	QTY	OTHER
1	Body	CW617N	1	NP
2	Bonnet	CW617N	1	NP
3	Ball	CW617N	1	Chrome Plated
4	Ball seat	PTFE	2	WRAS
5	O-ring	NBR	1	WRAS
6	Packing	PTFE	1	WRAS
7	Stem	Brass	1	NP
8	Lock nut	Brass	1	NP
9	Nut	SS304	1	-
10	Handle	Q235+PVC	1	Yellow
11	Compression nut	Brass	2	NP
12	Olive	H65	2	-

Miniball Isolation Valves

03



Miniball Isolation Valves

03

The Brymec range of isolation valves offer a wide variety of styles and connections suitable for Potable water, heating and cold water services. These are compact valves, easy to install and operate making them an ideal solution for isolating water services.

Miniball Isolating Ball Valves

- › 15mm & 22mm Compression connections
- › Chrome Plated Brass
- › WRAS approved
- › Straight and angled options
- › Standard and Full bore options
- › Screwdriver and Lever operated options



Cobra Dual Double Check & Isolating Valve

- › Combined Double Check and Isolation Valve
- › 15mm & 22mm Compression connections
- › WRAS Approved
- › Lever operated



Miniball Service Valves

- › 15mm & 22mm Compression connections
- › Chrome plated brass
- › 1/4" Turn screwdriver operation
- › Swivel connection for taps
- › Straight and angled options



Chrome Isolating Valve

ISO1

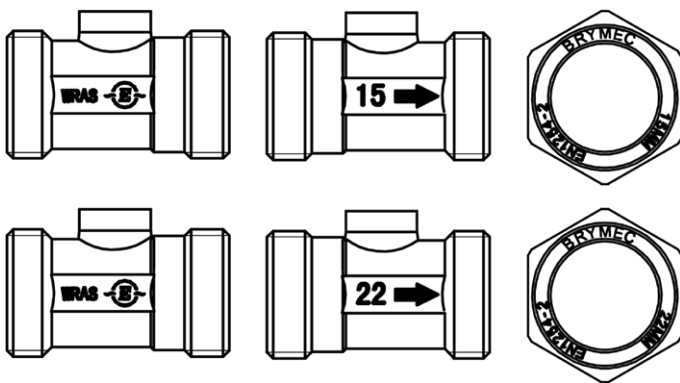


Features and Benefits

- Chrome isolating valve with compression ends
- WRAS approved
- Non-shock, use only fully opened or closed

Applicable Standards

- Compression connections comply with: EN1254-2
- Valves are manufactured to BS6675
- WRAS Approved

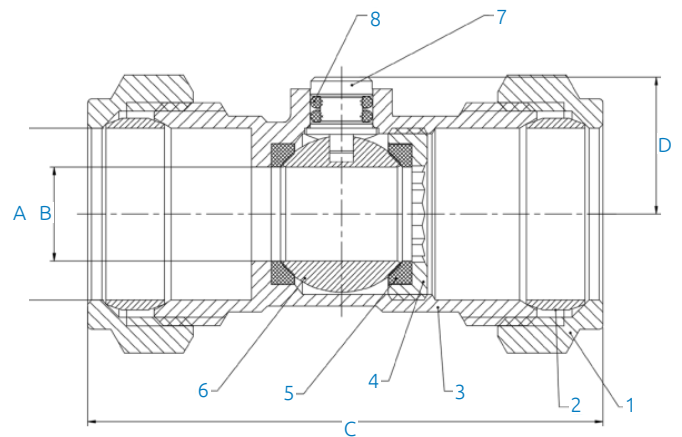


Product Codes & Dimensions

STOCK NO.	DN	A	B	C	D
36372	15	15	8	50	15
36373	22	22	11.5	64	18

Technical Data

- Fields of Applications: Water
- Max. Working Pressure: PN10
- Operating Temp. Range: -10 to +90°C



Material Specifications

NO	NAME	MATERIAL	QUANTITY
1	Compression Nut	HPb59- 3 15mm	2
2	Olive	T2 Copper 15x6x5	2
3	Body	HPb59- T	1
4	Catch Spring	SUS304	1
5	O-Ring	NBR	2
6	Ball	HPb59- T	1
7	Stem	HPb59- T	1
8	O-Ring	EPDM	2

Chrome Full Bore Isolating Valve

ISO1FB

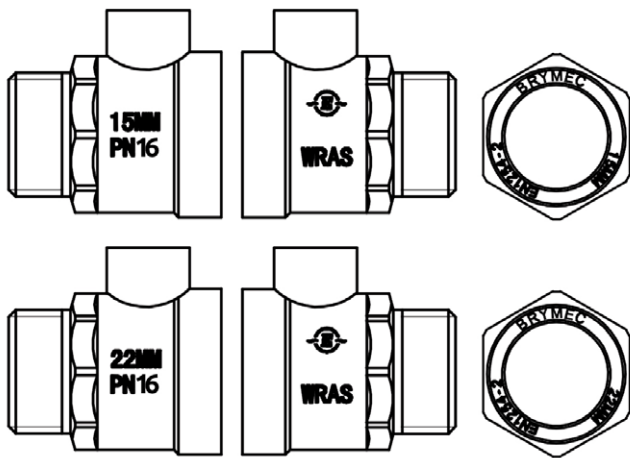


Features and Benefits

- Chrome isolating valve with compression ends
- WRAS approved heavy pattern
- Non-shock, use only fully opened or closed

Applicable Standards

- Compression connections comply with: EN1254-2
- Valves are manufactured to BS6675
- WRAS Approved

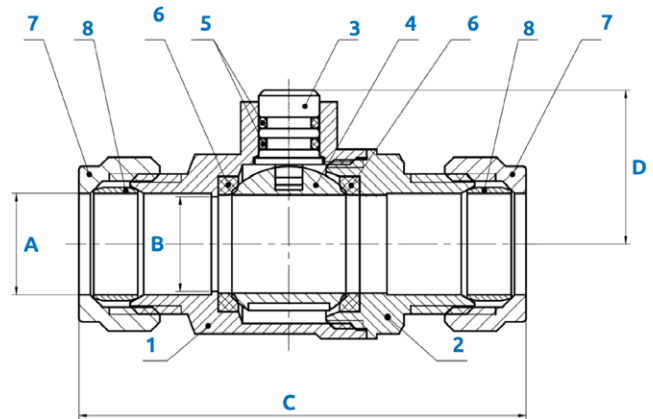


Product Codes & Dimensions

STOCK NO.	DN	A	B	C	D
30833	15	15	13.5	67	22.8
30834	22	22	19	69	27

Technical Data

- Fields of Applications: Water
- Max. Working Pressure: PN10
- Operating Temp. Range: -10 to +90°C



Material Specifications

NO	NAME	MATERIAL	QUANTITY
1	Body	HPb59-3	1
2	Bonnet	HPb58-2	1
3	Sealing	PTFE (WRAS approval)	2
4	Ball	HPb56-4	1
5	Stem	HPb58-2	1
6	O-Ring	EPDM (WRAS approval)	2
7	Olive	T2	2
8	Hexagonal Nuts	HPb59-3	2

Chrome Isolating Valve With Lever

ISO1L

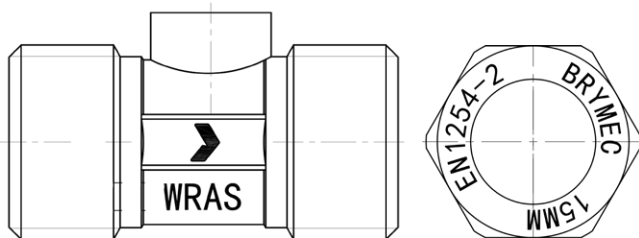
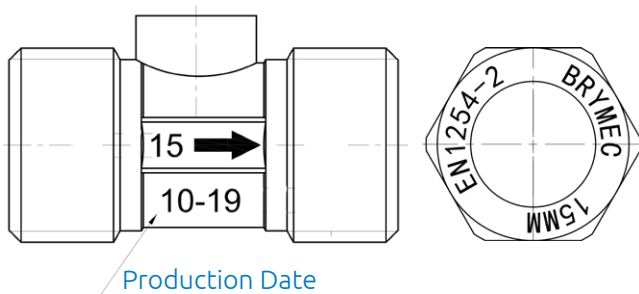


Features and Benefits

- Nickel chrome plated brass
- Uni-directional flow
- Non-shock, use only fully opened or closed

Applicable Standards

- Valves are manufactured in accordance with: BS6675
- Compression connections comply with: EN1254-2
- WRAS Approved

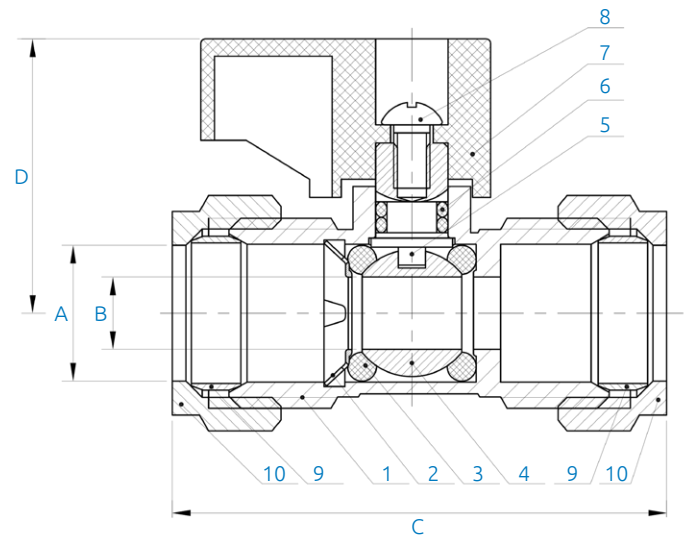


Product Codes & Dimensions

STOCK NO.	DN	A	B	C	D
30840	15	15	8	54.5	30.5
30841	22	22	12	67	32.5

Technical Data

- Fields of Applications: Water
- Max. Working Pressure: PN10
- Operating Temp. Range: -10 to +90°C



Material Specifications

NO	NAME	MATERIAL	QUANTITY
1	Body	HPb59 - 3	1
2	Circlip	304 (Hardness 280°)	1
3	O-ring	EPDM	2
4	Ball	HPb56 - 4	1
5	Stem	HPb58 - 2	1
6	O-ring	EPDM	2
7	Handle	ABS	1
8	Screw Nut	Q235	1
9	Olive	T2 copper	2
10	Compression nut	HPb59 - 3	2

Chrome 90° Angled Isolation Valve

ISO1A



Features and Benefits

- Chrome isolating valve with compression ends
- Angled pattern reducing space, connections and leak paths
- Non-shock, use only fully opened or closed

Applicable Standards

- Compression connections comply with: EN1254-2
- Valves are manufactured to BS6675
- WRAS Approved

Product Codes & Dimensions

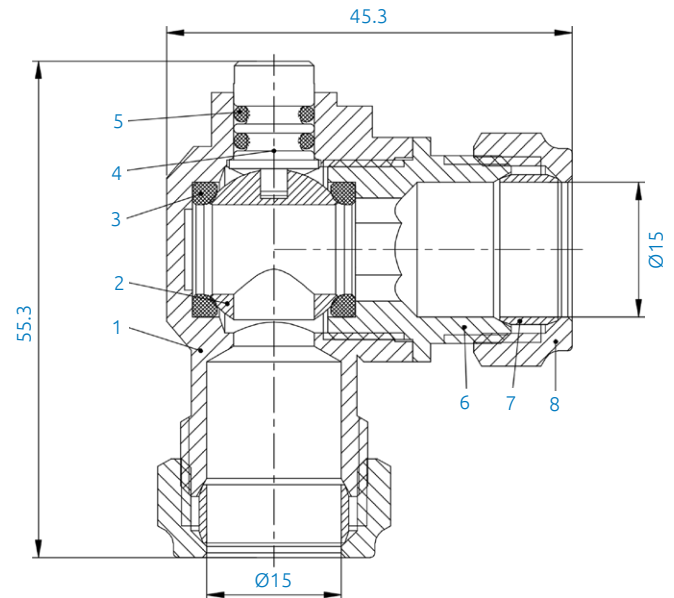
STOCK NO.	SIZE
36374	15 x 15mm

Material Specifications

NO	NAME	MATERIAL	QUANTITY
1	Body	HPb59-T	1
2	Ball	HPb59-T	1
3	Seat	PTFE	2
4	Stem	HPb59-T	1
5	O-Ring	EPDM	2
6	Bonnet	HPb59-T	1
7	Compression nut	HPb59-T	2
8	Olive	T2 Copper	2

Technical Data

- Fields of Applications: Water
- Max. Working Pressure: PN16
- Operating Temp. Range: -10 to +85°C



DZR Cobra Dual Double Check & Isolation Valve

ISO2

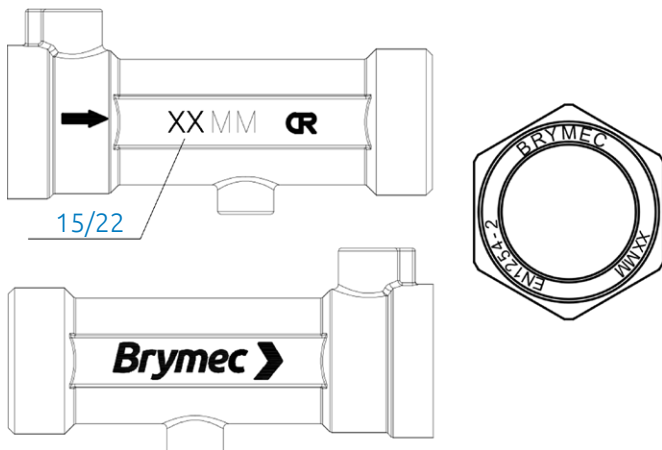


Features and Benefits

- Combined Double Check & Isolation Valve
- Space saving with reduced connections
- Non-shock, use only fully opened or closed

Applicable Standards

- Compression connections comply with: EN1254-2
- WRAS Approved

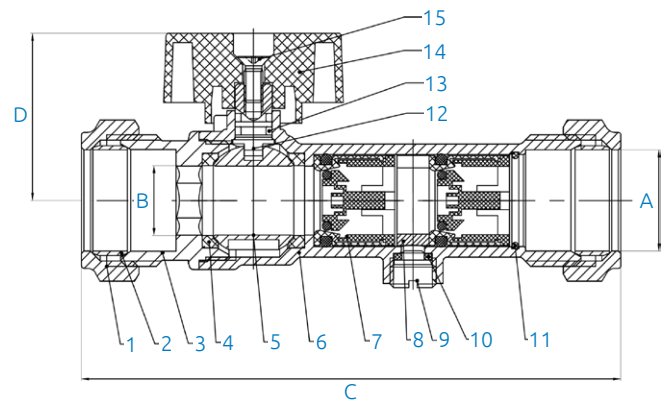


Product Codes & Dimensions

STOCK NO.	WRAS	DN	A	B	C	D
30882	Yes	15	15	10	101	32.7
30889	No	22	22	15	115	39

Technical Data

- Fields of Applications: Water
- Max. Working Pressure: PN16
- Operating Temp. Range: -10 to +85°C



Material Specifications

NO	NAME	MATERIAL	QUANTITY
1	Compression nut	HPb59- T	2 NP
2	Olive	T2 copper	2 -
3	Bonnet	CW602N	1 NP
4	Seat	PTFE	1 -
5	Ball	HPb59- T	1 CP
6	Body	CW602N	1 NP
7	Non-Return Core	POM	2 -
8	O-ring	NBR	1 -
9	Screw	Q235	1 -
10	Catch Spring	SS304	1 -
11	Plastic Ring	Nylon	1 -
12	O-ring	NBR	2 -
13	Stem	HPb59- T	1 NP
14	Handle	Nylon	1 -
15	Screw	Q235	1 -

Chrome Straight Service Valve

ISO3

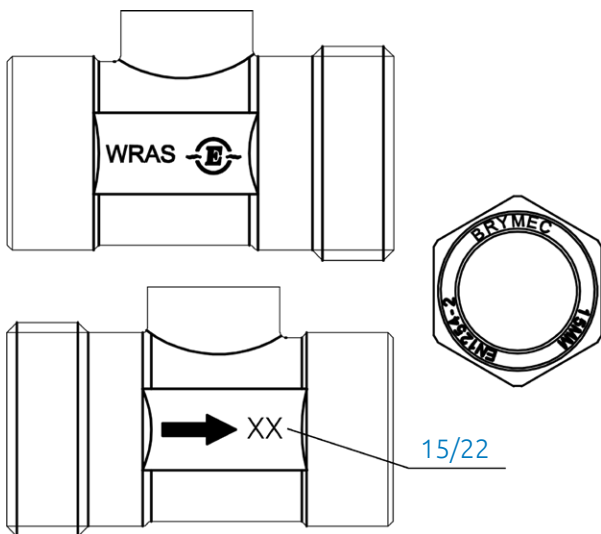


Features and Benefits

- Straight chrome service valve
- ¼ turn screwdriver operation
- WRAS approved

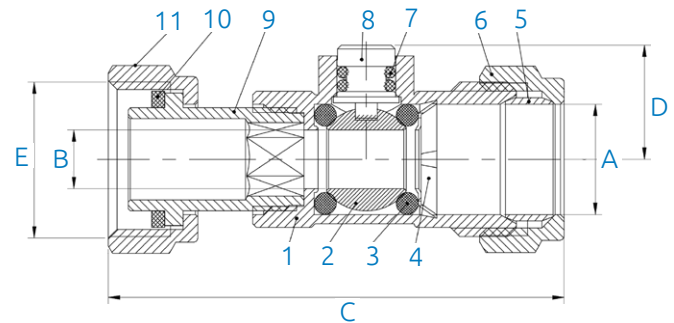
Applicable Standards

- Compression connections comply with: EN1254-2
- Valves are manufactured to BS6675
- Female thread connections are to ISO228
- WRAS Approved



Technical Data

- Fields of Applications: Water
- Max. Working Pressure: PN10
- Operating Temp. Range: -10 to +85°C



Material Specifications

NO	NAME	MATERIAL	QUANTITY
1	Body	HPb59- T	1
2	Ball	HPb59- T	1
3	O-Ring	NBR	2
4	Circlip	SUS304	1
5	Olive	T2 Copper	1
6	Compression Nut	HPb59- T	1
7	O-Ring	EPDM	2
8	Stem	HPb59- T	1
9	Connecting Pipe	HPb59- T	1
10	Washer	Red Paper	1
11	Connecting Nut	HPb59- T	1

Product Codes & Dimensions

STOCK NO.	DN	A	B	C	D	E
36375	15	15	8	62.2	15.5	½"
30863	22	22	12	71	17.5	¾"

Chrome 90° Angled Service Valve

ISO3A



Features and Benefits

- Angled chrome isolating service valve
- Angled pattern reducing space, connections and leak paths
- Suitable for hot and cold water
- Non-shock, use only fully opened or closed

Applicable Standards

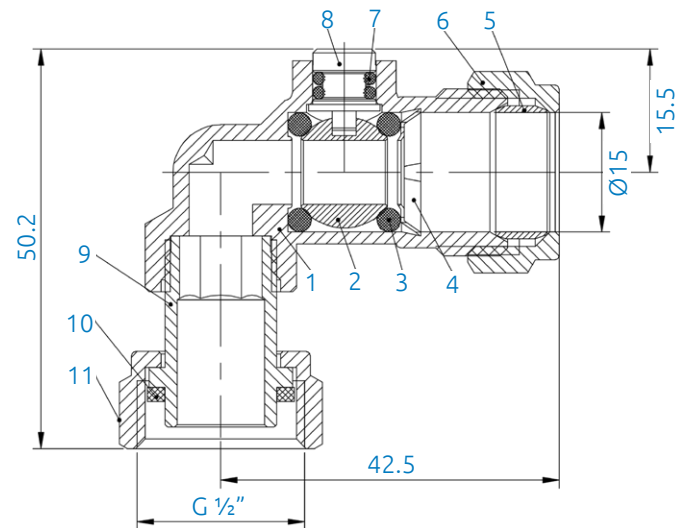
- Compression connections comply with: EN1254-2
- Valves are manufactured to BS6675
- Female thread connections are to ISO228
- WRAS Approved

Product Codes & Dimensions

STOCK NO.	DN
36377	15mm x 1/2"

Technical Data

- Fields of Applications: Water
- Max. Working Pressure: PN10
- Operating Temp. Range: -10 to +85°C



Material Specifications

NO	NAME	MATERIAL	QUANTITY
1	Body	HPb59- T	1
2	Ball	HPb59- T	1
3	O-Ring	NBR	2
4	Circlip	SUS304	1
5	Olive	T2 Copper	1
6	Compression Nut	HPb59- T	1
7	O-Ring	EPDM	2
8	Stem	HPb59- T	1
9	Connecting Pipe	HPb59- T	1
10	Washer	Red Paper	1
11	Connecting Nut	HPb59- T	1

Gate Valves

04



Gate Valves

04

The Brymec range of Gate Valves are ideal for isolating a range of mediums in pipework systems. The gate-like disc gives straight through isolation functionality offering very little flow resistance and minimal pressure drops. They are a highly reliable and traditional way of isolating pipework.

Brass Gate Valves

- › DN15 to DN100 Size range
- › Brass body and gate
- › Threaded and Compression connections
- › Wheelhead and Lockshield options



Bronze Gate Valves

- › DN15 to DN50 Size range
- › High Quality Bronze
- › WRAS Approved
- › PN20 pressure rating
- › Threaded and Compression connections
- › Wheelhead and Lockshield options



Ductile Iron Gate Valves

- › DN50 to DN300 Size range
- › PN16 Flanges to BS4505
- › WRAS approved
- › Handwheel operated





Brass Gate Valve - Compression

GVA1C



Features and Benefits

- Compression ends
- Brass body & Gate (wedge)

Applicable Standards

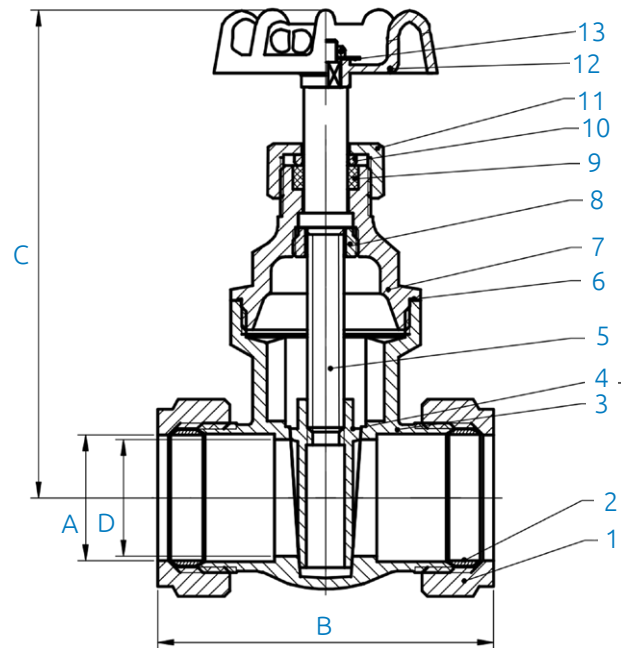
- Valves are manufactured to: BS5154
- Compression connections comply with: EN1254-2
- WRAS approved up to 28mm

Material Specifications

NO	NAME	MATERIAL	QUANTITY
1	Compression nut	HPb59- T	2
2	Olive	T2	2
3	Body	HPb59- T	1
4	Gate	HPb59- T	1
5	Stem	HPb59- T	1
6	Sealing washer	PTFE	1
7	Bonnet	HPb59- T	1
8	Lock ring	HPb59- T	1
9	Packing	PTFE	1
10	Lock nut	HPb59- T	1
11	Handle	Cast iron	1
12	Nameplate	AL	1
13	Nut	Q235	1

Technical Data

- Suitable for: Water
- Max. Working Pressure: PN16
- Max. Working Temp: 90°C



Product Codes and Dimensions

STOCK NO	WRAS	A (mm)	B	C	D
30813	YES	15	61	70	13
30814	YES	22	71	75	19
30815	YES	28	76	89	24
30816	NO	35	92	119	32
30817	NO	42	101	127	38
30818	NO	54	123	157	50

Brass Gate Valve - FxF BSPP

GVA1



Features and Benefits

- Female threaded ends
- Brass body & Gate (wedge)
- PTFE seat & packing

Applicable Standards

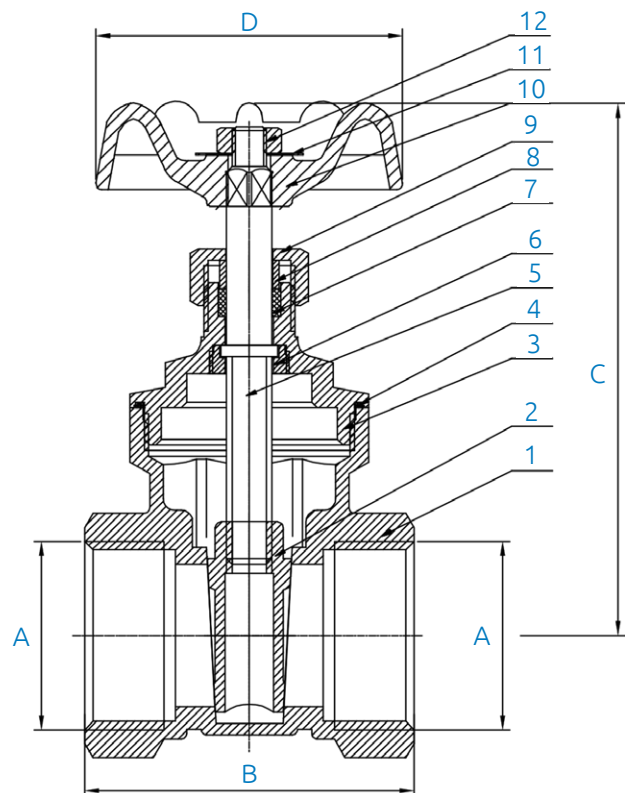
- Valves are manufactured to: BS5154 (BS EN 12288)
- BSP Parallel ISO 228/1 connections

Technical Data

- Suitable for: Water & Oil Systems
- Max. Working Pressure: PN20
- Max. Working Temp: 90°C

Material Specifications

NO	NAME	MATERIAL	QUANTITY
1	Body	HPb59- T	1
2	Gate	HPb59- T	1
3	Bonnet	HPb59- T	1
4	Sealing Washer	PTFE	1
5	Stem	HPb59- T	1
6	Lock Ring	HPb59- T	1
7	Packing	PTFE	1
8	Lock Nut	HPb59- T	1
9	Lock Ring	HPb59- T	1
10	Handle	Cast Iron	1
11	Nameplate	AL	1
12	Nut	45#	1



Product Codes & Dimensions

STOCK NO	DN	A	B	C	D	Kgs
30777	½"	G1/2	47	78	55	0.21
30778	¾"	G3/4	52	82	55	0.25
30779	1"	G1	58	90	59	0.35
30782	1 ¼"	G1 ¼	74	110	59	0.71
30783	1 ½"	G1 ½	81	127	71	0.92
30784	2"	G2	88	150	77	1.42
30785	2 ½"	G2 ½	94	163.5	100	2.55
30786	3"	G3	103	190	110	3.22
30789	4"	G4	119.5	235	130	5.76

Brass Gate Valve with Lockshield - Compression

GVA1LS



Features and Benefits

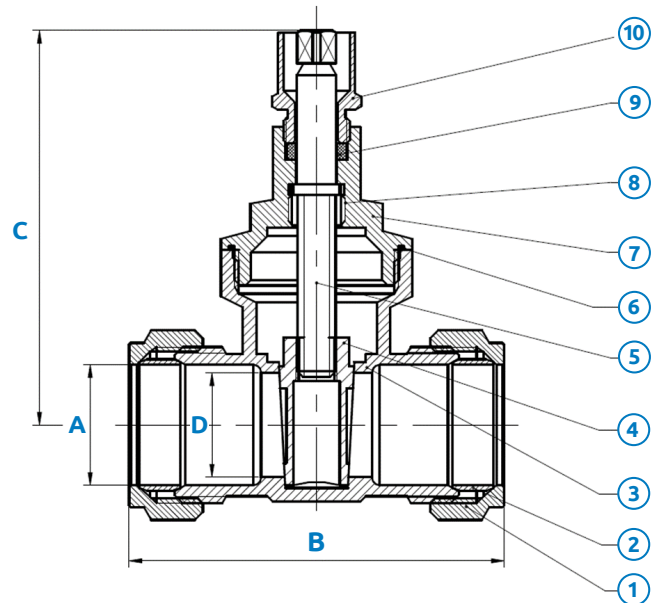
- Compression ends
- Brass body & Gate (wedge)

Applicable Standards

- Valves are manufactured to: BS5154
- Compression connections comply with: EN1254-2
- WRAS approved

Technical Data

- Suitable for: Water
- Max. Working Pressure: PN16
- Max. Working Temp: 90°C



Product Codes and Dimensions

STOCK NO	A (mm)	B (mm)	C (mm)	D (mm)
30700	15	54	57	13
30707	22	65	80	15
30299	28	72	91	19
30793	35	90	112	32

Material Specifications

NO	NAME	MATERIAL	QUANTITY
1	ComperSSION nut	HPb59- T	2
2	Olive	T2	2
3	Body	HPb59- T	1
4	Gate	HPb59- T	1
5	Stem	HPb59- T	1
6	Sealing washer	PTFE	1
7	Bonnet	HPb59- T	1
8	Lock ring	HPb59- T	1
9	Packing	PTFE	1
10	Lock nut	HPb59- T	1



Bronze Gate Valve - FxF BSPT

GVA2



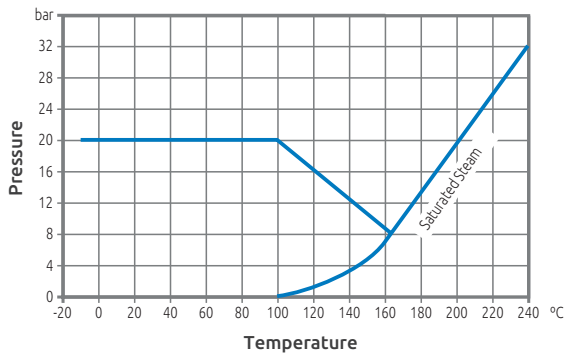
Features and Benefits

- Screwed BSP Taper (ISO 7/1)
- Bronze Body and Disc
- Screwed Bonnet

Applicable Standards

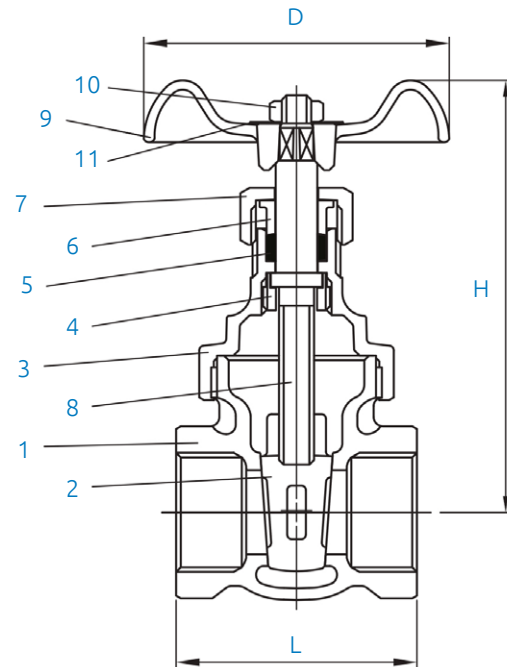
- PN20 Rated
- BS 5154 (BS EN 12288)
- WRAS Approved

Pressure - Temperature Diagram



Technical Data

- Maximum working pressure: PN20
- Working temperature range: -10°C to +232°C



Product Codes & Dimensions

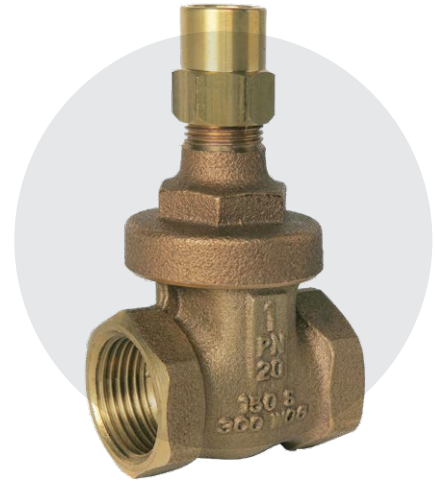
STOCK NO.	DN	L	H	D	WEIGHT (kg)
38856	15	47.5	78.0	53.0	0.33
38857	20	51.5	94.0	63.5	0.48
38858	25	58.6	109.0	68.5	0.65
38859	32	63.0	120.0	80.0	0.93
38860	40	66.5	142.0	90.0	1.24
38861	50	73.5	163.0	103.0	1.92

Material Specifications

NO	COMPONENT	MATERIAL
1	Body	Bronze ASTM B62 C83600
2	Disc	Bronze ASTM B62 C83600
3	Bonnet	Bronze ASTM B62 C83600
4	Lock nut	Bronze ASTM B16 C3600
5	Stem packing	PTFE
6	Gland	Bronze ASTM B16 C3600
7	Packing nut	Bronze ASTM B16 C3600
8	Stem	Bronze ASTM B16 C3600
9	Hand wheel	Cast Iron ASTM A126 Class B
10	Wheel nut	Steel Zn Plated ASTM A563
11	Name plate	Aluminium ASTM B92 1100

Bronze Gate Valve with Lockshield - FxF BSPT

GVA2LS



Features and Benefits

- Screwed BSP Taper (ISO 7/1)
- Bronze Body and Disc
- Screwed Bonnet
- Lock shield

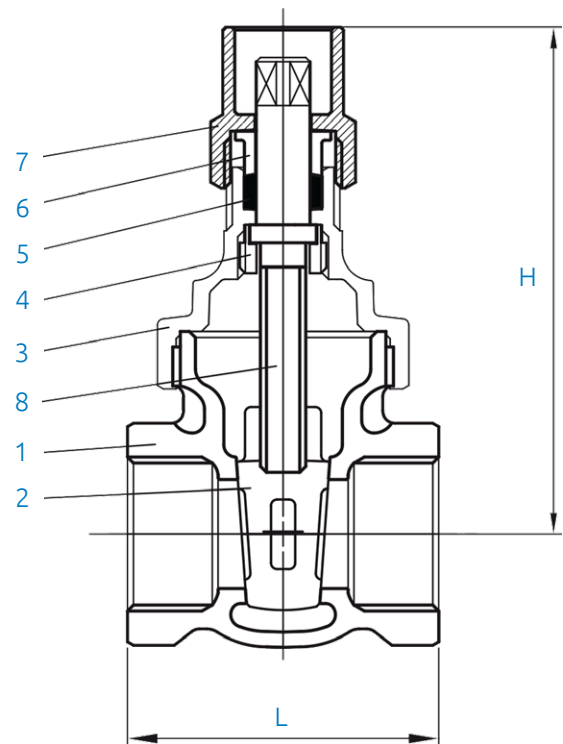
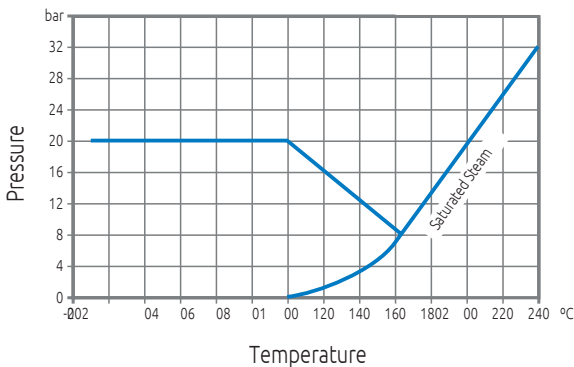
Applicable Standards

- PN20 Rated
- BS 5154 (BS EN 12288)
- WRAS Approved

Technical Data

- Maximum working pressure: PN20
- Working temperature range: -10°C to +180°C

Pressure - Temperature Diagram



Material Specifications

NO	COMPONENT	MATERIAL
1	Body	Bronze
2	Disc	Bronze
3	Bonnet	Bronze
4	Lock nut	Brass
5	Stem packing	PTFE
6	Gland	Brass
7	Packing nut	Brass
8	Stem	Brass

Product Codes & Dimensions

STOCK NO.	DN	L	H	S	WEIGHT (kg)
38863	15	47.5	70.0	6.3	0.3
38864	20	51.5	80.5	6.3	0.4
38865	25	58.6	94.0	6.3	0.6
38866	32	63.0	110.5	8.0	0.8
38867	40	66.5	123.5	8.0	1.1
38868	50	73.5	146.5	9.5	1.62

Ductile Iron Gate Valve

CIV3



Features and Benefits

- Ductile iron body and bonnet with high strength and impact resistance
- Rubber encapsulated DI wedge to ensure drop tight sealing
- Rubber bonnet gasket for longevity and protection of bonnet bolts
- Stainless steel stem with high strength and corrosion resistance
- Back sealing facility to allow for replacement of seals under full operating pressure
- Straight through full bore to avoid debris traps
- Isolated fasteners for corrosion protection
- Wiper ring to prevent impurities from entering the stem sealing system
- Anti friction thrust washer for low operating torques
- Integral cast foot for safe and easy storage
- Full diameter waterway hand wheel, square cap operation

Applicable Standards

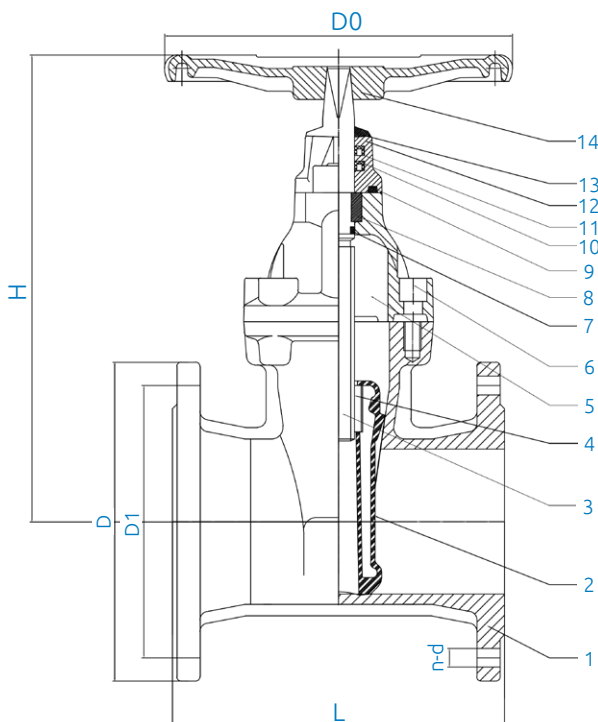
- Design standard: BS 5163
- Face to face standard: BS 5163
- Flange standard: BS4504 PN 10/16
- Testing standard EN 12266-1

Technical Data

- Non-rising stem gate valve
- Handwheel operated
- Body: ductile iron
- Gate: ductile iron & WRAS EPDM
- Stem: SS410
- BS5163
- Size: DN65 - 300
- Nominal Pressure: PN 16
- Temp. Range: -10°C to +90°C
- Suitable For: Water and neutral liquids

Material Specifications

NO	NAME	MATERIAL	SPECIFICATION
1	Body	Ductile Iron	GGG50
2	Wedge	GGG50 + EPDM	Ductile Iron + EPDM
3	Stem	Stainless Steel	SS410
4	Wedge Nu	Brass	Brass
5	Bonnet	Ductile Iron	GGG50
6	Bolt		
7	O Ring	EPDM / NBR	EPDM / NBR
8	Stem Collar	Brass	Brass
9	Bonnet Gasket	EPDM / NBR	EPDM / NBR
10	V Ring	EPDM / NBR	EPDM / NBR
11	V Ring	EPDM / NBR	EPDM / NBR
12	Top Cap	Ductile Iron	GGG50
13	Dust Shield	EPDM / NBR	EPDM / NBR
14	Hand Wheel	Ductile Iron	GGG50



▶ Ductile Iron Gate Valve (Continued)

CIV3



Product Codes & Dimensions

STOCK NO.	SIZE (mm)	L	D0	H	D	D1	D2	n-ø	F	B	HAND WHEEL WEIGHT (kg)	TORQUE
38813	50	178	160	220	165	125	99	4 - 19	3	19	10.5	60
38956	65	190	180	235	185	145	118	4 - 19	3	19	12.5	75
38957	80	203	200	280	200	160	132	8 - 19	3	19	16.0	75
38958	100	229	200	320	220	180	156	8 - 19	3	19	21.0	100
38959	125	254	250	360	250	210	184	8 - 19	3	19	29.0	125
38960	150	267	250	400	285	240	211	8 - 23	3	23	35.0	150
38961	200	292	322	510	340	295	266	12 - 23	3	23	57.0	200
38967	250	330	353	600	405	355	319	12 - 28	3	28	92.0	250
38834	300	356	353	675	460	410	370	12 - 28	4	28	129.0	300

Stop Cocks & Bib Taps

05



Stop Cocks & Bib Taps

05

Stopcocks, sometimes referred to as stop taps are used to restrict the flow of water through the mains water inlet pipework. They are an in-line valve that work by turning the handle to rotate a stop or plug housed within the valve chamber to stop the flow of water. It is now a legal requirement for every home to have a stopcock.

DZR Brass Stockcock

- › DN15 to DN25 Size range
- › High Quality DZR brass
- › WRAS approved
- › Female BSP threaded connections



Brass Stop Cock - FxF BSPP

SCK1



Features and Benefits

- Rotatable handle: water supply can be closed or opened easily at the turn of the tap head
- Ultra-low lead DZR brass body
- Easy installation

Applicable Standards

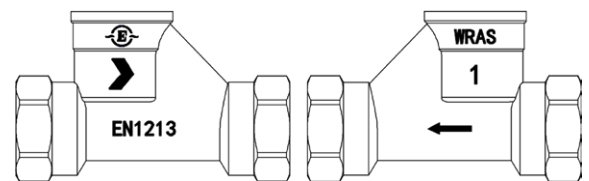
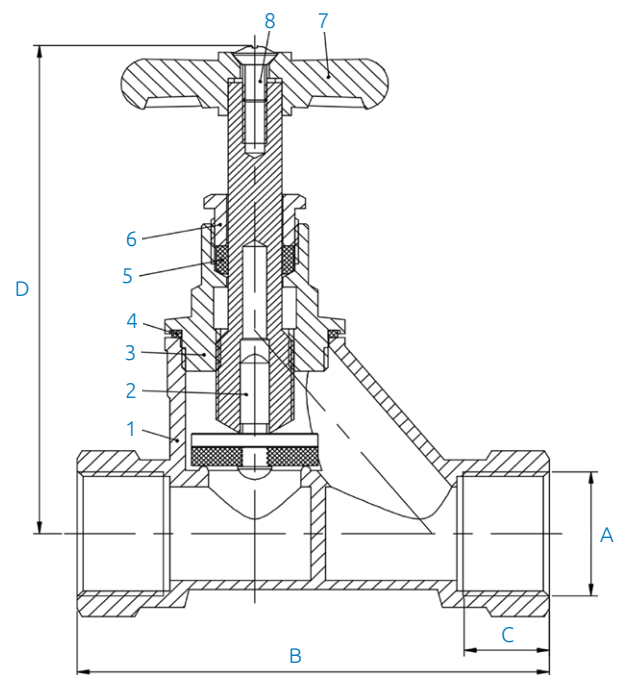
- Connection standards: EN1213
- Thread standards: ISO228

Technical Data

- Operating Pressure range: 16bar (<30°C), 10bar (30-85°C)
- Operating Temperature range: -10 to +85°C
- Field of application: Water

Material Specifications

NO	NAME	MATERIAL	QTY
1	Body	HPb59-T	1
2	Stem	HPb59-T	1
3	Bonnet	HPb59-T	1
4	Sealing Gasket	PTFE	1
5	Packing	PTFE	1
6	Lock Nut	HPb59-T	1
7	Handle	HPb59-T	1
8	Screw	HPb59-T	1



Product Codes & Dimensions

STOCK NO.	SIZE	A	B	C	D
36381	1/2"	1/2"	71	15	88
36382	3/4"	3/4"	97	17.5	104.5
36383	1"	1"	114	22	129

Check Valves

06



Brymec >

Check Valves

06

Check valves permit flow in one direction only, and will automatically close if the flow changes direction. It is important to minimise or entirely prevent backflow as it can cause contamination of the water supply or damage equipment such as pump sets. There is legislation which warrants the use of check valves. The 1999 Water Supply (Water Fittings) Regulations for England and Wales classifies water into 5 categories so it is important to use the correct valve for your application.

Double Check

- › DN15 to DN50 Size Range
- › Threaded and Compression Connections
- › WRAS approved
- › Double check cartridge provides failsafe if one fails
- › Suitable for Category 3 contamination risks



Single Check

- › DN15 to DN50 Size Range
- › Threaded and Compression Connections
- › Swing or Spring check mechanisms
- › Suitable for category 2 contamination risks
- › Brass or Bronze options



Ductile Iron

- › DN50 to DN300 Size Range
- › PN16 Flanged Connections
- › Swing or Spring Check options
- › 16 bar pressure rating



DZR Brass Double Check Valve - FxF BSPP

NRV1



Features and Benefits

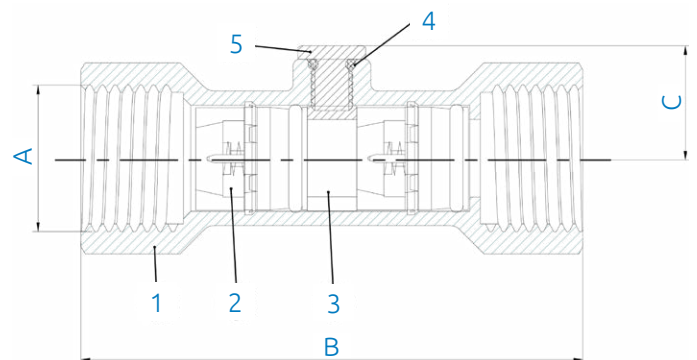
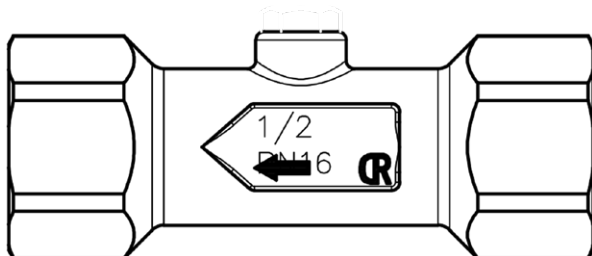
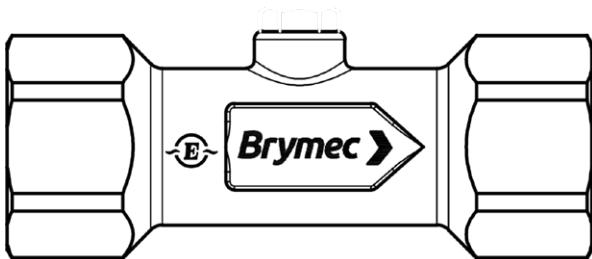
- Double check valves when fitted stop the flow of water in one direction preventing back flow
- DZR Brass body with BSP female connections
- Eliminates syphonage contamination
- Space saving over 2 single check valves

Applicable Standards

- BSP parallel ISO 228/1 connections
- WRAS approved
- Contamination risk protection category 3

Technical Data

- Fields of applications: water
- Maximum working pressure: PN16
- Maximum working temperature: 90°C



Product Codes & Dimensions

STOCK NO	DN	A	B	C
36366	1/2"	G 1/2	71	16.5
36367	3/4"	G 3/4	83	19
36368	1"	G 1	98	22
36369	1 1/4"	G 1 1/4	118	25
36370	1 1/2"	G 1 1/2	134	29
36371	2"	G 2	173	34

Material Specifications

ITEM	PARTS	MATERIAL	QTY	OTHER
1	Body	CW602N	1	DZR Brass
2	Non Return Core	POM	2	-
3	Baffle Ring	H62	1	-
4	O-ring	NBR	1	-
5	Screw	HPb59-T	1	NP/Brass

DZR Brass Double Check Valve - Compression

NRV1C



Features and Benefits

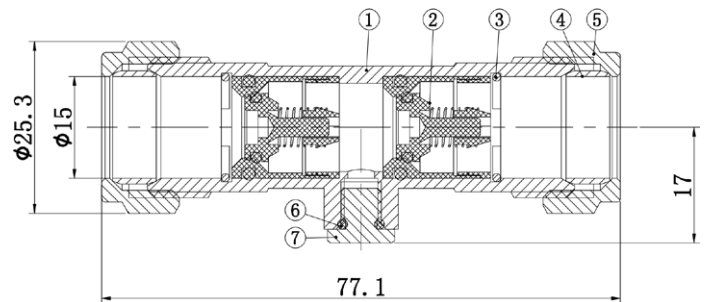
- Double check valves when fitted stop the flow of water in one direction preventing back flow
- DZR Brass body with compression ends for copper pipework
- Eliminates syphonage contamination
- Space saving over 2 single check valves

Applicable Standards

- Valves are manufactured to: BS6282-1
- Compression connections comply with: EN1254-2
- WRAS approved

Technical Data

- Fields of Applications: Water
- Max. Working Pressure: PN10
- Operating Temp. Range: -10 to +85°C



Product Codes & Dimensions

STOCK NO	SIZE A (mm)	B	C	D
30766	15	25.3	77.1	17
30767	22	35	88.6	20
30768	28	41	112.1	24.5

Material Specifications

NO	NAME	MATERIAL	QTY	MATERIAL
1	Body	CW602N	1	DZR Brass
2	Non-return core	POM	2	-
3	Catch spring	SUS304	1	-
4	Olive	T2 Copper	2	-
5	Compression nut	HPb59- T	2	NP/Brass
6	O-ring	NBR	1	-
7	Screw	HPb59- T	1	NP/Brass

Chrome Double Check Valve - Compression

NRV1CC



Features and Benefits

- Double check valves when fitted stop the flow of water in one direction preventing back flow
- Copper Plated
- Brass body with Compression ends for copper pipework systems
- Eliminates Syphonage Contamination
- Space saving over 2 single check valve

Applicable Standards

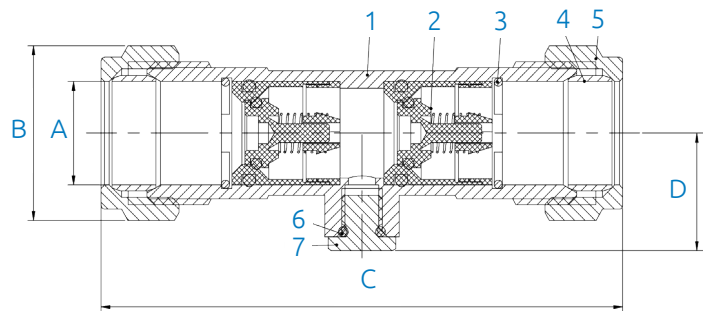
- Valves are manufactured to: BS6282-1
- Compression connections comply with: EN1254-2
- WRAS approved

Technical Data

- Fields of Applications: Water
- Max. Working Pressure: PN10
- Operating Temp. Range: -10 to +85°C

Product Codes & Dimensions

STOCK NO	SIZE A (mm)	B	C	D
30773	15	25.3	77.1	17
30774	22	35	88.6	20
30791	28	41	112.1	24.5



Material Specifications

NO	NAME	MATERIAL	QUANTITY	MATERIAL
1	Body	CW602N	1	CP/Brass
2	Non-return core	POM	2	-
3	Catch spring	SUS304	1	-
4	Olive	T2 Copper	2	-
5	Compression nut	HPb59- T	2	CP/Brass
6	O-ring	NBR	1	-
7	Screw	HPb59- T	1	NP/Brass

➤ Bronze Double Check Valve - Compression NRV2C



Features and Benefits

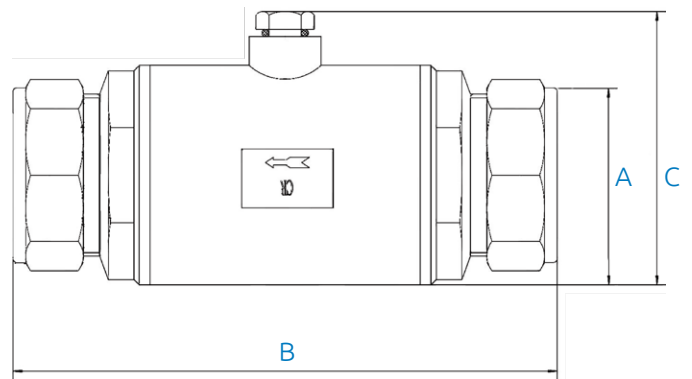
- Double check valves when fitted stop the flow of water in one direction preventing back flow.
- Bronze body with compression ends for copper pipework systems.

Applicable Standards

- Compression connections comply with EN1254-2

Technical Data

- Fields of applications: water
- Max working pressure: PN16
- Operating temperature range: -5°C to +60°C



Product Codes & Dimensions

STOCK NO	A	B	C
30711	35	149	74.5
30712	42	165	83
30713	54	175	97

Material Specifications

ITEM	PARTS	MATERIAL	QTY
1	Brass	C83600	1
2	Filter	ABS Plastic	1
3	Seals	NBR rubber	2



Bronze Swing Check Valve - FxF BSPT

NRV3



Features and Benefits

- Bronze Body and Disc
- PN20 Rated
- Metal faces
- High temperature application

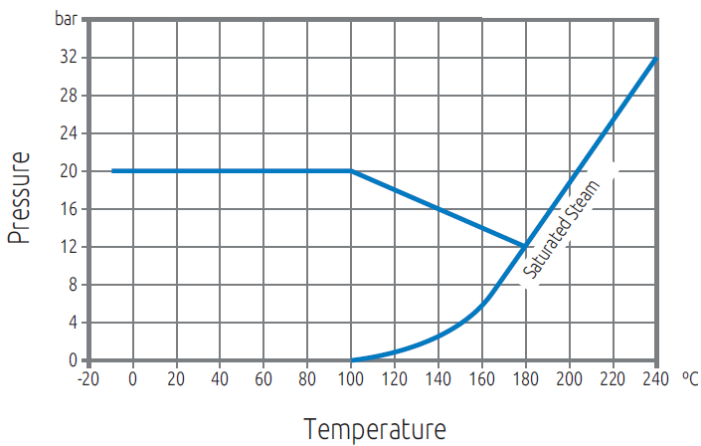
Applicable Standards

- BS 5154 (BS EN12288)
- BSP taper connection (ISO7/1)

Technical Data

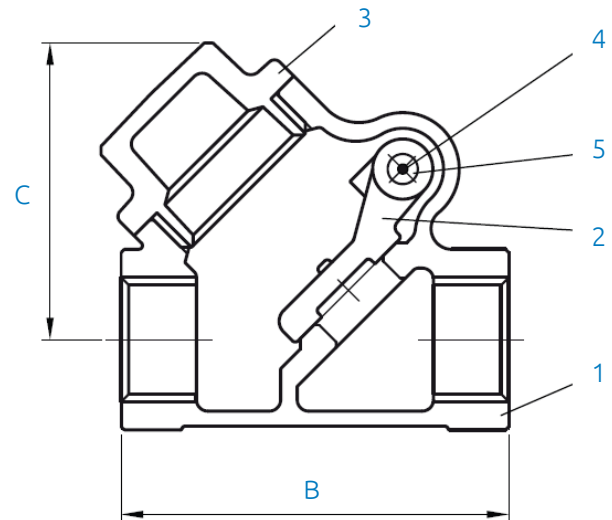
- Max. Pressure: 20 Bar
- Working Temp: -10°C to +180°C

Pressure - Temperature Diagram



Product Codes & Dimensions

STOCK NO.	DN	B	C	CV	WEIGHT (kg)
38877	1/2"	56.0	43.0	3.5	0.28
38878	3/4"	71.0	51.0	6.6	0.43
38879	1"	80.0	58.0	12.0	0.59
38880	1 1/4"	97	68	22.0	0.91
38881	1 1/2"	110	78	30.0	1.31
38882	2"	129	96	50.0	1.86



Material Specifications

NO	NAME	MATERIAL
1	Body	Bronze
2	Disc	Bronze
3	Cap	Bronze
4	Hanger pin	Brass
5	Plug	Brass



Brass Single Check Valve - Compression

NRV4C



Features and Benefits

- Single check valve with compression ends
- Brass Colour
- Flow directional
- WRAS marking on body

Applicable Standards

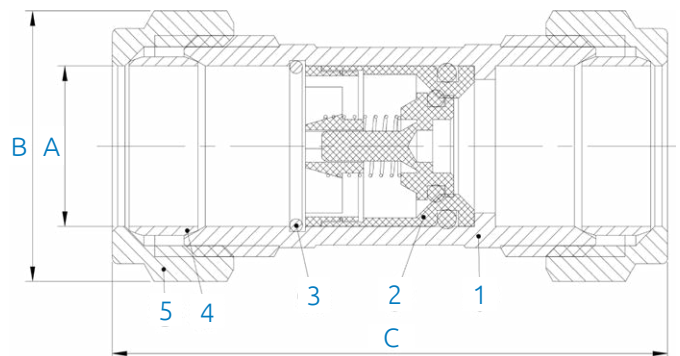
- Valves are manufactured to: BS6282-1
- Compression connections comply with: EN1254-2
- WRAS approved

Technical Data

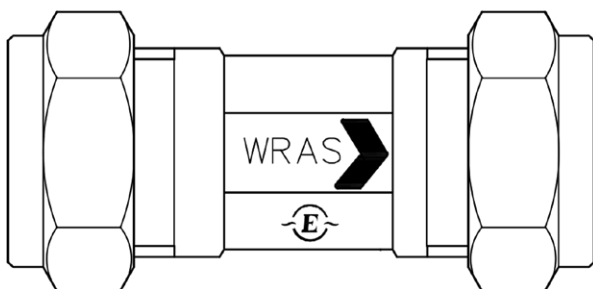
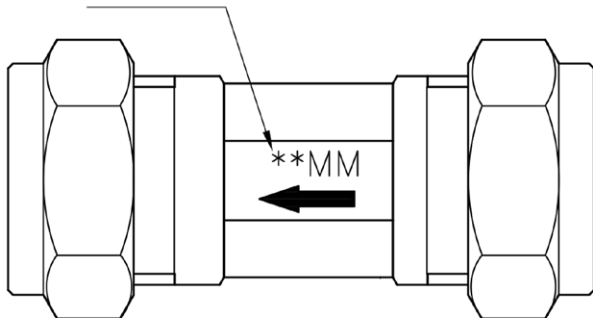
- Fields of Applications: Water
- Max. Working Pressure: PN10
- Operating Temp. Range: -10 to +85°C

Product Codes & Dimensions

STOCK NO	SIZE (mm)	A	B	C
30780	15	15	25.3	52.5
30781	22	22	35	64



15 / 22



Material Specifications

NO	NAME	MATERIAL	QUANTITY
1	Body	HPb59-T	1
2	Non-return core	POM	1
3	Catch spring	SUS 304	1
4	Olive	T2 Copper	2
5	Compression nut	HPb59-T	2



Brass Spring Check Valve - FxF BSPP

NRV5



Features and Benefits

- Brass body and flat metal disc
- Installation in horizontal or vertical pipework with the flow in the upwards direction
- Unidirectional
- Spring assistance gives rapid closure, preventing flow reversal and hydraulic shock.
- Ideally suitable for use in heating system.
- Close coupled to a foot filter creates a foot valve and strainer for use in tanks and reservoirs.

Applicable Standards

- Supplied with female parallel threaded ends complying with BS EN ISO 228-1

Technical Data

- Max. Temp: 100°C
- Max. Pressure - 20 bar
- Min. Opening Pressure: 0.02 bar
- Suitable for water, oil and other industrial services

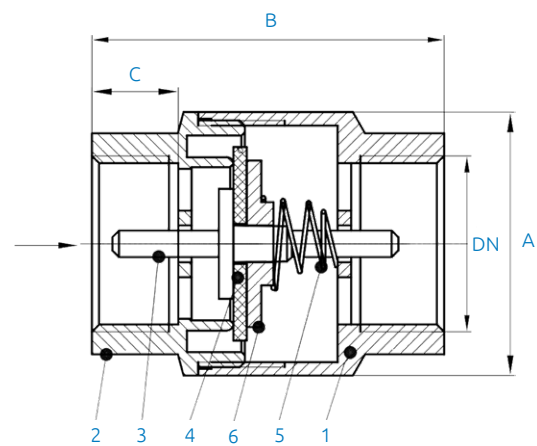
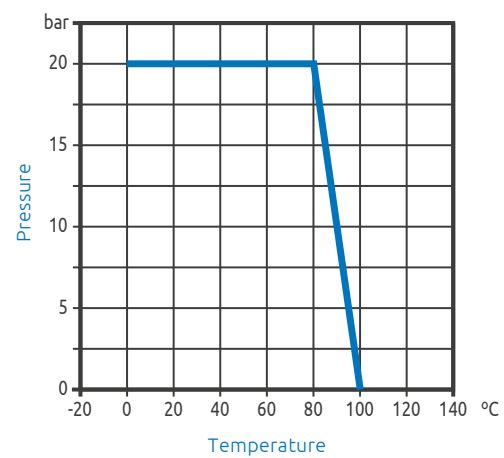
Material Specifications

PART NO.	PART NAME	MATERIAL
1	Body	Brass
2	Bonnet	Brass
3	Disc Holder	Brass
4	Disc	Brass
5	Spring	Stainless Steel 304
6	Spring Holder	Brass

Product Codes & Dimensions

STOCK NO.	SIZE	DN	A	B	C	WEIGHT (kg)
36309	3/8"	G3/8	32.5	44.5	11	0.14
36310	1/2"	G1/2	33	47	12	0.14
36311	3/4"	G3/4	39	49	14	0.18
36312	1"	G1	45	58	14.5	0.26
36313	1 1/4"	G1 1/4	55	65	14.5	0.40
36314	1 1/2"	G1 1/2	60	70	16	0.59
36315	2"	G2	79	83	18.5	0.84
36316	2 1/2"	G2 1/2	95	100	22	1.50
36317	3"	G3	110	107	24	1.92
36318	4"	G3	143	111	24	3.05

Pressure Diagram





Cast Iron Dual Plate Wafer Check Valve

CIV8



Features and Benefits

- Self acting pivot check valve with double disc.
- Corrosion resistant springs.
- Automatically opens when the flow starts.
- Elastomer seats are vulcanised and bonded to body casting.

Applicable Standards

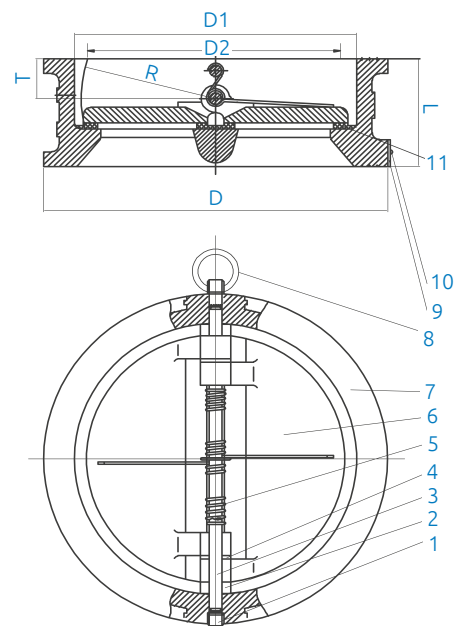
- Design standards: GB/T12236
- End standard: suitable for EN1092-2 PN16
- Face to face standard: ISO 5752
- Testing standard: ISO 5208

Material Specifications

NO	NAME	MATERIAL	QUANTITY
1	Plug	SS304	4
2	Washer	PTFE	2
3	Pin	SS410	2
4	Washer	PTFE	3
5	Spring	SS304	2
6	Plate	CF8M	2
7	Body	CI	1
8	Eyeblot	SS304	1
9	Trademark	Stainless Steel	1
10	Plate Rivet	Stainless Steel	2
11	Seat	EPDM	1

Technical Data

- Size: DN50 - DN300 (2" - 12")
- Max Pressure: PN16
- Temperature Range: -20°C - 135°C
- Suitable for: Water

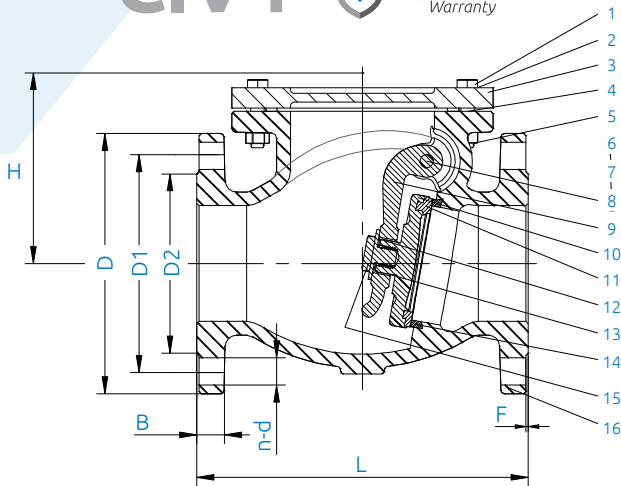


Product Codes & Dimensions

STOCK NO.	SIZE	D	D1	D2	L	R	T	Weight (Kg)
38923	DN50	106	65	45.6	43	29.7	18.5	1.5
38924	DN65	126	78	60.1	46	36.1	21.5	2.4
38925	DN80	141	94	66.3	64	43.4	28	3.6
38926	DN100	161	117	97.2	64	55.6	27	5.7
38927	DN125	191	145	122.4	70	68.1	30	7.3
38928	DN150	217	170	144.4	76	78.6	31	9
38855	DN200	272	222	198.0	89	104.4	33	17
38862	DN250	327	265	233.7	114	128	50.5	26
38883	DN300	380	310	283.2	114	148	43	42

Cast Iron Swing Check Valve

CIV4 



Features and Benefits

- Removable cover for easy maintenance
- Internal and external epoxy coating
- Full bore for low headloss
- Cast bronze seal and disk ring

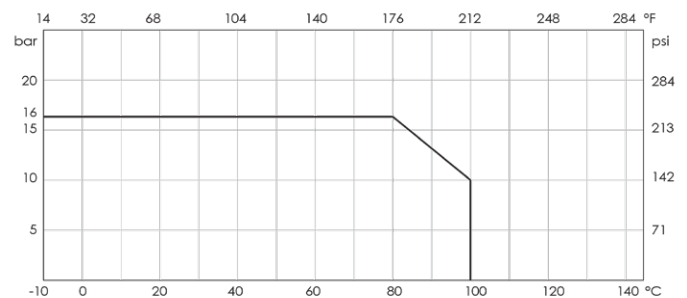
Applicable Standards

- Face-to-face: BS 5153
- Flange: EN 1092 ISO 7005
- Testing: EN 12266

Technical Data

- Operating Temperature Range: -10°C to +100 °C
- Operating Pressure: 16 bar
- Field Of Operation: Water

Pressure / Temperature Chart



NO.	PART	MATERIAL	ENGLISH STANDARD
1	Bolts	Steel	BS970 43A
2	Gasket	Graphite	
3	Bonnet	Cast Iron	
4	Body Gasket	Graphite	BS2494 Typew
5	Nuts	Steel	BS970 43A
6	Side Plug	Brass	BS2874 CZ122
7	Gasket	Fiber	
8	Hanger Pin	Stainless Steel	BS970 304S15
9	Hanger	Cast Iron	
10	Disc	Cast Iron	
11	Disc Ring	Cast Bronze	
12	Washer	Steel	BS970 43A
13	Split Pin	Stainless Steel	BS970 43A
14	Seat Rings	Cast Bronze	
15	Nut	Steel	BS970 43A
16	Body	Cast Iron	

Product Codes & Dimensions

STOCK NO.	SIZE	DN	L	D	D1	D2	B	F	N-D	H	Weight (Kg)
38791	2"	50	203	165	125	99	20	3	4-19	112	13.3
38968	2 1/2"	65	216	185	145	118	20	3	4-19	132	15.77
38969	3"	80	241	200	160	132	22	3	8-19	141	20
38970	4"	100	292	220	180	156	24	3	8-19	162	29.37
38971	5"	125	330	250	210	184	26	3	8-19	192	42
38972	6"	150	356	285	240	211	26	3	8-23	211	53.5
38792	8"	200	495	340	295	266	30	3	12-23	270	102
38793	10"	250	622	405	355	319	32	3	12-28	316	149
38794	12"	300	699	460	410	370	32	4	12-28	357	182

Strainers

07



Strainers

07

The Brymec range of Y Pattern Strainers are designed to remove debris and dirt particles from the pipework system and are an important component in protecting sensitive controls and valves from damage. Our strainers come with high-quality stainless steel baskets, providing longevity and excellent flow characteristics. Regular maintenance of Y strainers is important to ensure the system is running efficiently and not impeded by debris restricting flow rates.

Brass Y Strainers

- › DN15 to DN100 Size Range
- › Compression Connections up to 28mm
- › BSP Threaded connections up to 4"
- › WRAS approved
- › Stainless Steel basket



Bronze Y Strainers

- › DN15 to DN50 size range
- › BSP Taper threads
- › High Quality bronze body
- › Rated to 20 Bar
- › WRAS approved
- › Stainless Steel basket



Ductile Iron Y Strainers

- › DN50 to DN300 size range
- › PB16 flanges to EN1092-2
- › Epoxy Coated Ductile Iron
- › Stainless Steel basket
- › Large Filter area to minimise pressure drops





Brass Y Pattern Strainer - FxF BSPP

STR1



Features and Benefits

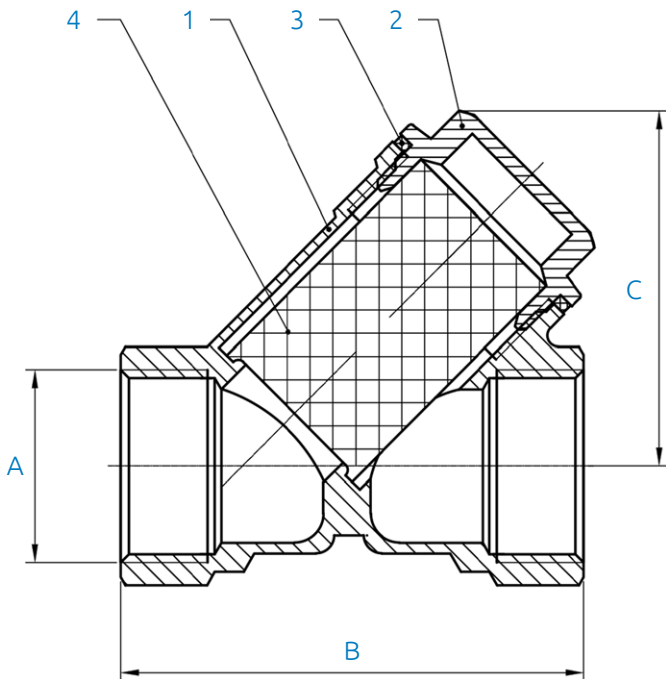
- Brass Body
- Stainless Steel Mesh
- BSP FxF Thread

Applicable Standards

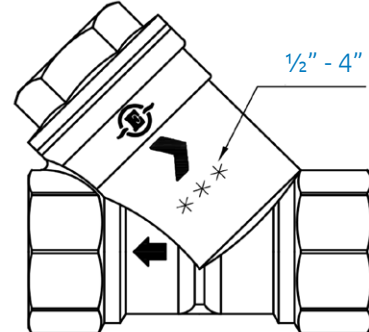
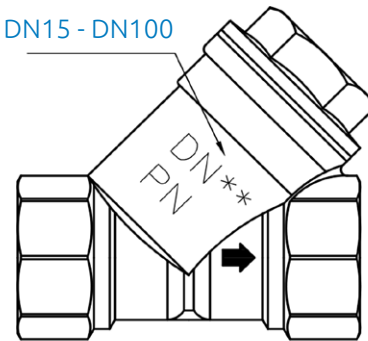
- BSP parallel ISO 228/1 connections

Technical Data

- Fields of applications: water
- 1/2" - 2" Maximum working pressure: PN20
- 2 1/2" - 4" Maximum working pressure: PN16
- Maximum working temperature: 90°C



DN15 - DN100



Product Codes & Dimensions

STOCK NO	DN	A	B (mm)	C	WRAS
36233	1/2"	1/2"	54	40.5	Yes
36234	3/4"	3/4"	64	48.7	Yes
36235	1"	1"	71	52.5	Yes
36236	1 1/4"	1 1/4"	91	71	Yes
36237	1 1/2"	1 1/2"	100	77	Yes
36238	2"	2"	122	94	Yes
36239	2 1/2"	2 1/2"	176	122	No
36240	3"	3"	201	135.5	No
36241	4"	4"	250	168	No

Material Specifications

NO	NAME	MATERIAL	QUANTITY
1	Body	HPb59-T	1
2	Bonnet	HPb59-T	1
3	Washer	PTFE	1
4	Filter net	Stainless Steel	1

Brass Y Pattern Strainer - Compression

STR1C



Features and Benefits

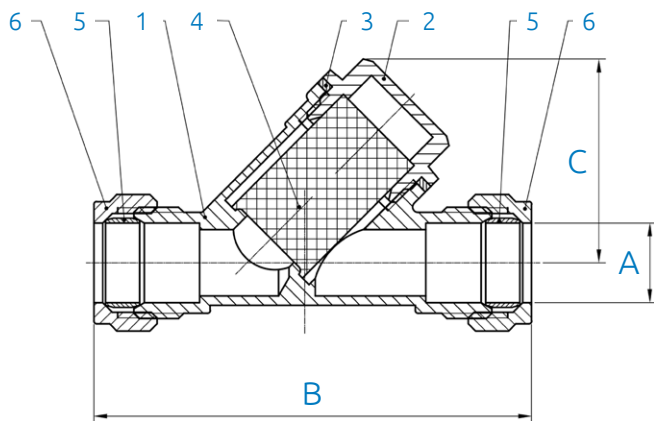
- Brass Body
- Stainless Steel Mesh Filter
- Suitable for both domestic & commercial applications

Applicable Standards

- Compression connections comply with BS EN 1254-2

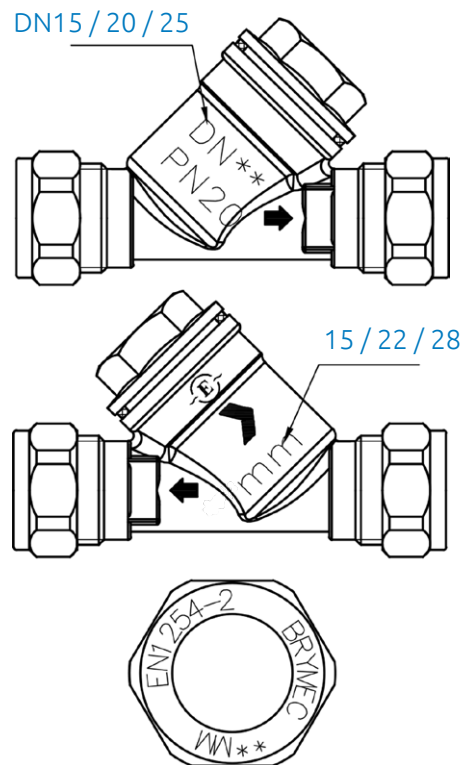
Technical Data

- Fields of applications: water
- 1/2" - 2" Maximum working pressure: PN20
- 2 1/2" - 4" Maximum working pressure: PN16
- Maximum working temperature: 90°C



Material Specifications

NO	NAME	MATERIAL	QUANTITY
1	Body	HPb59-T	1
2	Bonnet	HPb59-T	1
3	Washer	PTFE	1
4	Filter	Stainless Steel	1
5	Olive	T2	2
6	Compression nut	HPb59-T	2



Product Codes & Dimensions

STOCK NO	DN	A (mm)	B	C
36230	15	15	54	40.5
36231	22	22	64	48.7
36232	28	28	71	52.5



Bronze Y Pattern Strainer - FxF BSPT

STR2



Features and Benefits

- Bronze body
- Stainless steel mesh
- Screwed cap

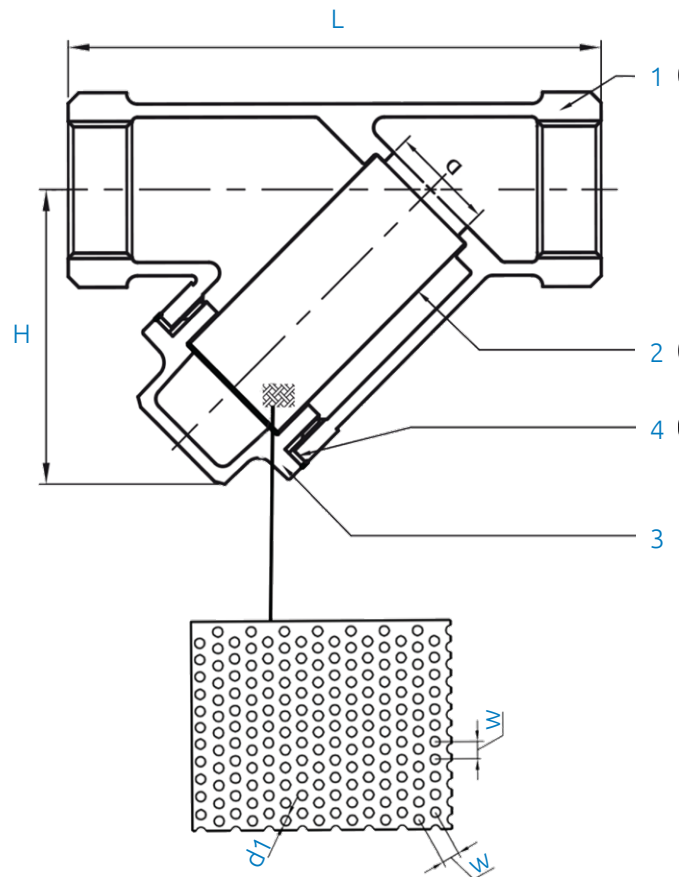
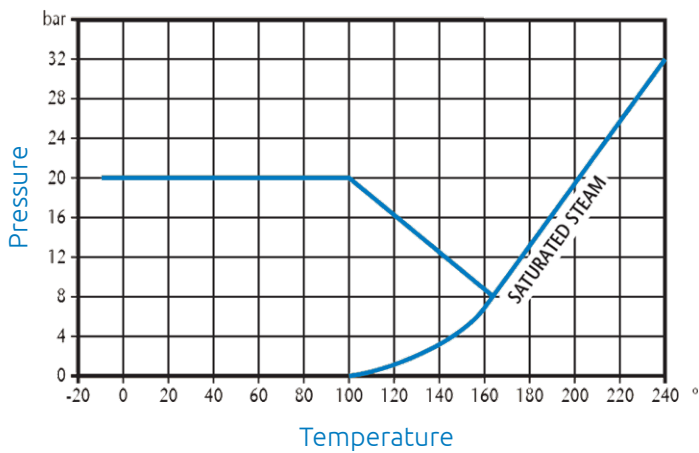
Applicable Standards

- Screwed BSP Taper (ISO 7/1)

Technical Data

- Max. Pressure: 20 Bar
- Operating Temp. Range: -10 to +180°C

Pressure / Temperature



Product Codes & Dimensions

STOCK NO	DN	L	H	D	d1	W	Kgs
38884	½"	80	48.5	14	0.84	1.27	0.31
38885	¾"	100	58	19	0.84	1.27	0.49
38886	1"	115	70	25	0.84	1.27	0.71
38887	1 ¼"	135	80	31.8	0.84	1.27	0.99
38888	1 ½"	160	93	38.1	0.84	1.27	1.46
38889	2"	190	112	50	0.84	1.27	2.44

Material Specifications

NO	NAME	MATERIAL	QUANTITY
1	Body	Bronze	1
2	Screen	Stainless Steel	1
3	Cap	Bronze	1
4	Gasket	Non Asbestos	1

Ductile Iron Y Pattern Strainer

CIV5  Brymec
Warranty



Features and Benefits

- Body and cover are in ductile iron for long product life cycle
- Screen is punched stainless steel plate
- Screen is supported by a leg for DN150 and above, this device protects the screen from potential damage
- Large filter area: lower pressure drop
- Electrostatically applied akzo Nobel epoxy powder internally and externally

Applicable Standards

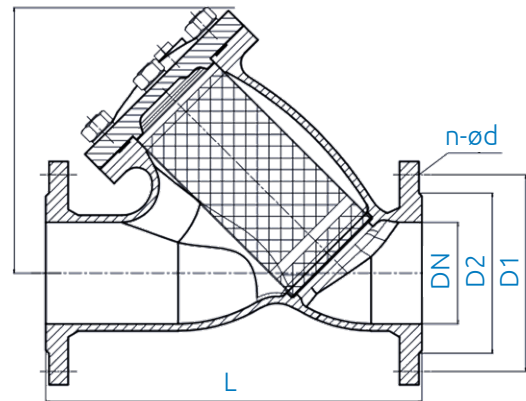
- Connection standard: BS EN 1092-2
- Pressure test standard: BS EN 12266-2003
- Face to face standard: BS EN558-1 Series 1

Material Certification

- Epoxy powder WRAS Certification NO: 1112500
- Rubber parts WRC-NSF test reports NO: MAT/LAB 550C/1
- Sealing parts test reports NO: CE/2012/20910

Technical Data

- Size: DN50 - DN400 (2" - 16")
- Nominal pressure: PN 16
- Temperature range: 0°C - 80°C
- Suitable for: Water



Material Specifications

NO	NAME	MATERIAL
1	Body	Ductile Iron EN JS1040
2	Cover	Ductile Iron EN JS1040
3	Screen	304 Stainless Steel BS970
4	Gasket	Rubber EPDM

Product Codes & Dimensions

STOCK NO.	SIZE	DN	L	H	D2	D1	n-ød	Weight (KG)
38796	2"	50	230	140	99	125	4 - 19	10.40
38973	2 ½"	65	290	161	118	145	4 - 19	13.80
38974	3"	80	310	181	132	160	8 - 19	16.60
38975	4"	100	350	210	156	180	8 - 19	23.20
38976	5"	125	400	250	184	210	8 - 19	32.50
38977	6"	150	480	308	211	240	8 - 23	43.90
38797	8"	200	600	406	226	295	12 - 23	66.10
38798	10"	250	730	476	319	355	12 - 28	113.50
38799	12"	300	850	543	370	410	12 - 28	151.50

Pressure Reducing Valves

08



Pressure Reducing Valves

08

Pressure reducing valves (PRVs) are used to reduce higher water pressures to an appropriate and comfortable level for outlets such as taps and showers. The incoming pressure could be due to high supply pressure in some areas, and pressure may vary during the day as demand changes at certain times. The Brymec range of PRVs are specifically designed for Hot and Cold water services to prevent excess pressure at water outlets to improve and reduce water use, reduce possible noise and maintain comfort for the end user.

Compression PRV

- › 15 & 22mm Compression connection
- › One valve does both sizes
- › WRAS approved
- › Comes with a pressure gauge



BSP Union PRV

- › DN15 to DN50 size range
- › Male BSP union tail connections
- › WRAS Approved
- › Comes with a pressure gauge
- › Designed for high flow rates
- › Low noise level when operating



DZR Brass Pressure Reducing Valve - MxM BSPT

PRV1



Features and Benefits

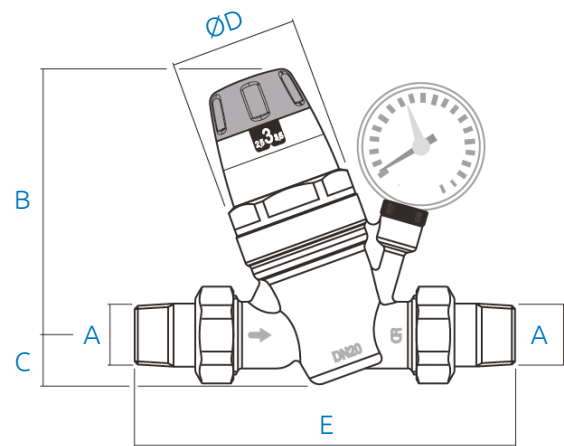
- Specifically designed for hot and cold residential services
- Controls static & dynamic pressure
- Compensated seat ensures downstream pressure is independent of upstream pressure changes
- Hydraulic design ensures low pressure loss even with a large number of outlets open
- Equalises hot and cold water supplies
- Prevent excess pressure at water outlets to improve and reduce water use
- Internal cartridge mechanism is one assembly simplifying removal for cleaning
- Supplied with pressure gauge

Applicable Standards

- Complies with EN 1567
- Screwed ends are BS EN 10226
- WRAS approved

Technical Data

- Max inlet pressure: 16 bar
- Outlet pressure setting range: 1 to 6 bar
- Factory setting: 3 bar
- Max working temperature: 80°C
- Pressure gauge range: 0 to 10 bar
- Pressure gauge connection: G1/4
- Filter mesh size: 0.51mm
- Medium: potable water



Material Specifications

COMPONENT	MATERIAL	GRADE
Body	DZR copper alloy	BS EN 12165 CW602N
Cover	Nylon	PA 66GF30
Control stem	Stainless steel	AISI 304
Cartridge	POM	
Internal components	DZR copper alloy	BS EN 12164 CW602N
Diaphragm	Nitrile rubber	
Seals	Nitrile rubber	
Strainer screen	Stainless steel	AISI 304

Product Codes & Dimensions

STOCK NO	A	B	C	D	E	Kg
36112	R 1/2"	112	20.5	54	140	0.92
36113	R 3/4"	112	20.5	54	160	1.06
36114	R 1"	112	20.5	54	180	1.38
36115	R 1 1/4"	178	40	73	200	2.6
36116	R 1 1/2"	178	40	73	220	3.4
36117	R 2"	178	40	73	250	4.3

DZR Brass Pressure Reducing Valve - Compression PRV2C



Features and Benefits

- Specifically designed for hot and cold residential services
- Equalises hot and cold water supplies
- Prevents excess pressure at water outlets to improve and reduce water use
- 1 valve fits both 15 & 22mm compression connection
- Supplied with pressure gauge

Technical Data

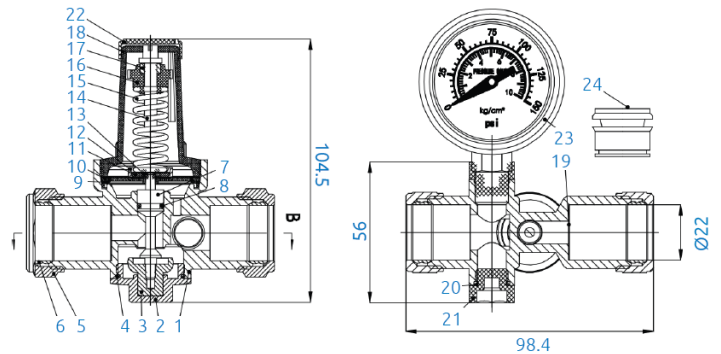
- Suitable for: Water
- Maximum upstream pressure: 16 Bar
- Downstream pressure setting range: 1-6 Bar
- Maximum working temperature: 65°C
- Pressure gauge scale: 0-10 Bar
- Factory set pressure: 3 Bar

Applicable Standards

- Complies with BS EN 1567
- Compression connections comply with EN1254-2
- WRAS approved

Product Codes & Dimensions

STOCK NO	NAME
30973	15 / 22mm



Material Specifications

NO	NAME	QTY	MATERIAL
1	Body	1	CW602N
2	Bonnet	1	CW602N
3	Pressing cover	1	CW602N
4	O-ring	1	EPDM
5	Compression nut	1	HBb59-T
6	Olive	1	H62
7	Stem	1	CW602N
9	Clasp	1	SS304
12	Brass seat	1	CW602N
15	Spring	1	SS304
18	Plastic cap	1	PPO
19	Strainer	1	SS304
22	Protective case	1	PPO
23	Pressure gauge	1	Composite
24	Reducer	1	HPb59-T

Water Meter Assembly

09



Water Meter Assembly

09

The Brymec Water Meter Assemblies are an innovative and space saving alternative to traditional branch valve assemblies. Designed as a compact solution to control and measure the cold-water supply to multi-dwelling buildings such as apartment blocks. The water meter assembly combines an Isolating valve, water meter carrier, Pressure Reducing Valve, Double Check Valve, pressure gauge and strainer into one compact unit.

These are often installed in combination with the unique Brymec Manifold Tee for further space, time and cost saving.

-
- › WRAS approved and Reg 4 compliant
 - › Supplied with insulation jacket as standard
 - › Can be installed horizontally or vertically
 - › Supplied pre-tested
 - › 3/4" or 1" BSP connections





Water Meter Assembly with Carrier & Lagging

WMA1



Features and Benefits

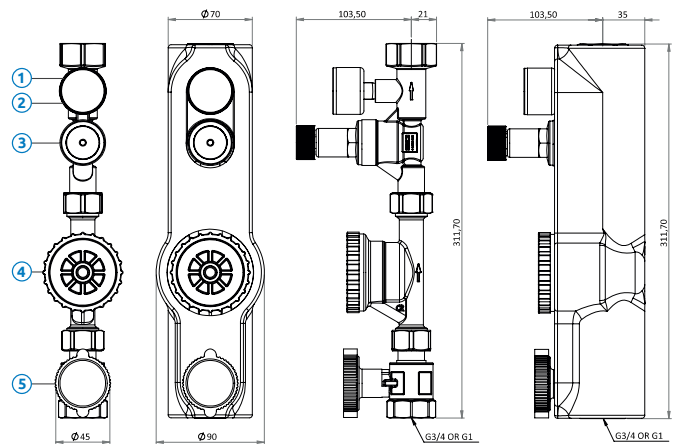
- Compact and space saving (half the size of traditional branch valve assemblies)
- WRAS, KIWA Regulation 4 (KUKreg4) PRV conforms to BSEN 1567
- Easy to install, either horizontally or vertically
- Position of water meter can be adjusted to suit, making it easy to read the display
- Supplied pre-tested to save time on site
- Robust, with minimal service and maintenance requirements
- Supplied with carrier, ready to fit any approved water meter (or with 80-110mm spacer where required)
- Dust cap on water meter carrier protects from contamination during installation*
- Supplied with insulation as standard, which provides protection and reduces heat loss and risk of condensation

Technical Data

- Medium: DCW / Potable water
- Min. working pressure: 1 bar
- Max. working pressure: PN16
- Outlet adjustable pressure: 1.5 - 6 bar
- Pre-set outlet pressure: 4 bar
- Optimum PRV reduction ratio: 2:1
- Maximum pressure reduction ratio: 3:1
- Recommended velocity range for avoidance of noise: 1-2 m/s
- Working temperature range: 5 - 85°C
- Strainer size: 350 Micron
- Connections: 3/4" BSP or 1" BSP
- Water meter carrier connection: DN40 internal thread (screwed)

Product Codes

Stock no	Size
30967	3/4" Water Meter Assembly with Carrier & Lagging (No Meter)
30968	1" Water Meter Assembly with Carrier & Lagging (No Meter)



Number	Description
1	Pressure Gauge (0-16bar)
2	Double Check Valve (DCV)
3	Combined Pressure Reducing Valve (PRV) + Strainer
4	Water Meter Carrier + Dust Cap
5	Isolating Ball Valve

Material Specifications

Name	Material	Grade
Body	Brass	CW602N
Strainer mesh	Stainless Steel	AISI304
O-rings + flat seals	Rubber	EPDM
Ball valve	Brass	CW617N
Ball valve seal	Plastic	PTFE
Ball valve stem	Brass	CW614N
Ball valve handle	Plastic	Nylon 60% glass fibre
Insulation Shell	Plastic	PE
Water Carrier Cap	Plastic	Technyl A
Water Meter Spacer	Plastic	Radilon A



Water Meter Assembly with Carrier & Lagging (no Meter)



Technical Specification

Description	Units		With Carrier		With 110mm Spacer	
			Exc. Insulation	Inc. Insulation	Exc. Insulation	Inc. Insulation
General						
Height	mm		312			
Width	mm		Ø67	Ø90	45	Ø90
Depth	mm		104			
Total Weight	Kg	3/4"	1.02	1.06	1.57	1.61
		1"	0.92	0.96	1.47	1.51
Suitable Media			Potable water			
Standards & Approvals			WRAS, KIWA Regulation 4 (KUKreg4) PRV conforms to BSEN 1567			
Mounting Position			Horizontal or vertical			
Operating temperature range	°C		5 - 85			
Max. operating temperature medium according to EN 1567	°C		30			
Operating inlet pressure range	bar		1 - 16			
Outlet adjustable pressure range	bar		1.5 - 6			
Factory pre-set outlet pressure	bar		4			
Internal insulation layer (10mm PE 3013)	Thermal conductivity of internal insulation layer at 10°		W/mK	0.0320		
	Thermal conductivity of internal insulation layer at 40°		W/mK	0.0404		
Density of internal insulation shell	Kg/m ³		30			
Density of external insulation shell	Kg/m ³		80			
Fire resistance of insulation (where ordered) to DIN 75200	mm/min		<100			
Transportation & storage requirements						
Ambient temperature range permissible	°C		5 - 55			
Ambient relative humidity range permissible	°C		25 - 85 (non-condensing)			

Safety Valves

10



Safety Valves

10

The purpose of Safety Valves is to protect equipment, property and most importantly life against failure to control system pressures. It offers a last means of defence against reducing system pressure before total system failure. The safety valve will be set to a preset pressure and if the system reaches that pressure set point the safety valve will fully open allowing the system to discharge that excess pressure to a safe level. The safety valve will be preset to a pressure rating which needs to be specified by the installer prior to being supplied.

- › DN15-DN50 size range
- › High Quality gunmetal
- › WRAS approved
- › Suitable for steam and industrial boiler systems
- › Set range from 0.5 to 16 bar





Bronze Safety Pressure Relief Valve

SVA1



Features and Benefits

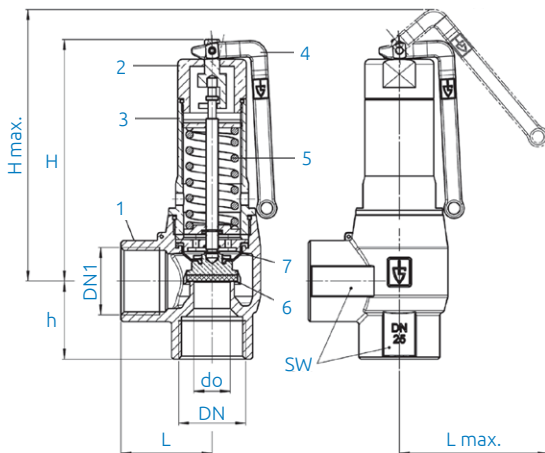
- Screwed BSP parallel (ISO 228) or flange connection
- Body gunmetal
- Suitable for gases, liquids and steam
- Fitted with diaphragm to protect spring housing
- Set range 0.5 to 16 bar

Typical Application

- Pressure vessels
- Mechanical engineering
- Pump protection
- Pressure booster systems water/air-side
- Cooling/chilling systems
- Steam and industrial boiler systems

Technical Data

- Max. Pressure: 16 bar
- Working Temp: EPDM diaphragm -50 to +195°C



Material Specifications

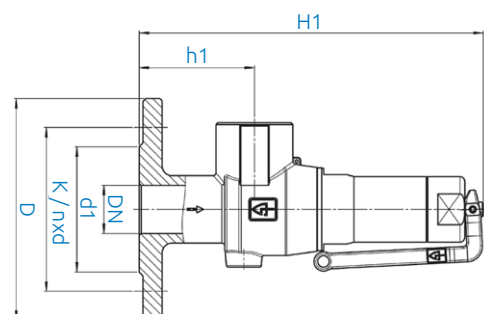
NO	NAME	MATERIAL
1	Body	Gunmetal
2	Housing cap	Brass/Gunmetal
3	Spring housing	Brass/Gunmetal
4	Lifting lever	Stainless steel CF8M
5	Spring	Stainless steel 302
6	Seat-seal	PTFE
7	Diaphragm	EPDM

Applicable Standards

- ISO 4126-1, PED 2014/68/EU, TRD 421
- Classification - GL, DNV
- ATEX approval available at extra cost
- Test certificate to EN10204-3.1 available on request
- WRAS approved

Product Codes & Dimensions

DN	1/2"	3/4"	1"	1 1/4"	1 1/2"	2"	2 1/2"
L	35	42	45	47	58	68	80
Lmax	63	75	78	100	140	150	155
H	90	106	120	150	192	229	275
H1 DIN/ ANSI	-	-	180/180	216/216	265/265	312/312	371/371
Hmax	102	120	133	153	210	252	298
h	28	36	38	37	45	55	65
h1 DIN/ ANSI	-	-	60/60	66/66	73/73	83/83	96/96
DDIN/ ANSI	-	-	115/110	140/115	150/125	165/150	185/180
d1 DIN/ ANSI	-	-	65/50.8	76/63.5	84/73	99/92.1	118/104.8
SW1	27	34	41	50	60	70	90
do	13	15	18	23	30	39	48
K/hxd (DIN)	-	-	85/4x14	100/4x18	110/4x18	125/4x18	145/4x18
K/hxd (ANSI)	-	-	79.4/4x15.9	88.9/4x15.9	98.4/4x15.9	120.7/4x19.1	139.7/4x19.1
kg	0.5	0.8	1.1	1.7	3.3	5.8	8.9
kgFLDIN/ FLANSI	-	-	2.0/1.9	3.4/2.9	4.1/3.5	8.4/7.9	12.0/11.8



Thermostatic Mixing Valves

11



Thermostatic Mixing Valves

11

The Brymec range of Thermostatic Mixing Valves have been designed and manufactured to be compliant with the requirements of BS 7942:2000 and the National Health Service model engineering specification D08 for use in healthcare premises, hospitals, care homes, and schools. The Health Technical Memorandum (HTM04-01) makes references to three types of valves:

- › Type 1 – a mechanical mixing valve with or without temperature stop (i.e. manually blended)
- › Type 2 – a thermostatic mixing valve: BS EN 1111 and or BS EN 1287
- › Type 3 – a thermostatic mixing valve with enhanced performance: HTM 04-01: Supplement – 'Performance specification D 08: thermostatic mixing valves (healthcare premises)

Brymec thermostatic mixing valves meet both Type 2 (TMV2) and Type 3 (TMV3) standards and are NSF approved to ensure safety & compliance with UK regulations for use on NHS projects. With hundreds of thousands of burns and scalds occurring in the UK annually, both TMV2 and TMV3 valves have the potential to prevent many such cases from happening – particularly as a majority are caused by hot water scalding the skin. Unfortunately the elderly and young children are more susceptible to third degree burns caused by scalding water so it is important that the correct valves are selected and installed.

TMV3 Mixing Valve

- › 15 & 22mm Size Range
- › WRAS approved
- › Inline Design
- › 10 bar max pressure
- › Chrome plated brass
- › TMV2 and TMV3 Certified



TMV3 Mixing Valve with Service Valves

- › 15 & 22mm Size Range
- › WRAS Approved
- › 10 bar max pressure
- › Chrome plate brass
- › Comes with isolating service valves
- › TMV2 and TMV3 Certified

TMV3 Thermostatic Mixing Valve

TMV3



Features and Benefits

- Cold water supply temperature 5°C - 25°C
- Hot water supply temperature 55°C - 65°C
- Temperature adjustment range 30°C - 50°C
- Factory set thermostatic controller 42°C 0/2°C
- Accuracy of outlet temperature $\pm 2^\circ\text{C}$
- Min. temperature differential 12°C (between hot supply and outlet temp)
- Supply pressure imbalance dynamic 2:1
- Flow rate minimum 5 Litres/min
- WRAS Approved
- Certified to TMV2 and TMV3

Technical Data

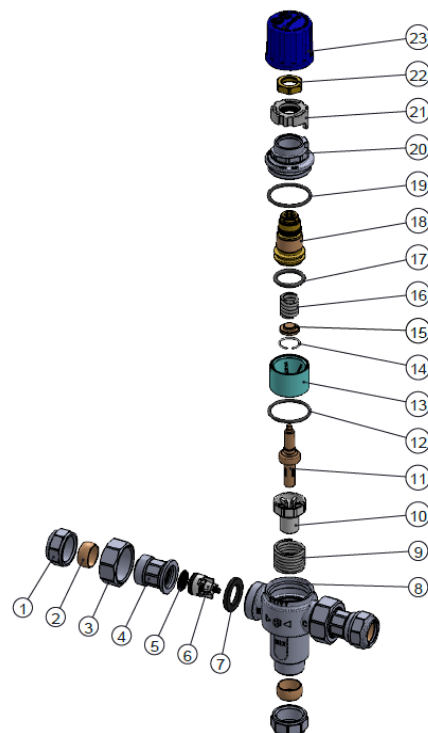
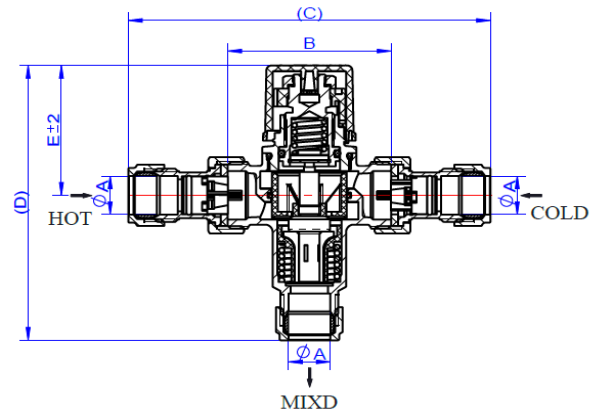
- Static Pressure: 10 Bar
- Dynamic Pressure: 5 Bar
- Temperature Adjustment Range: 30°C - 50°C

Material Specifications

No.	Name	Material	QTY.
1	Union nut	CW602N, chrome plated	3
2	Sleeve	CW507L	3
3	Union nut	CW617N, chrome plated	2
4	Pipe Connector	CW602N, chrome plated	2
5	Strainer	Stainless steel	2
6	Check valve	Element, WRAS approved	2
7	Gasket	EPDM, WRAS approved	2
8	Valve body	CW602N, chrome plated	1
9	Spring	Stainless steel	1
10	Water flow directors	PSU	1
11	Thermostat	Subassembly	1
12	O-ring	EPDM, WRAS approved	1
13	Piston	PSU	1
14	Circlip	Stainless steel	1
15	Block	CW602N	1
16	Spring	Stainless steel	1
17	O-ring	EPDM, WRAS approved	1
18	Stem	CW602N	1
19	O-ring	EPDM, WRAS approved	1
20	Bonnet	CW602N, chrome plated	1
21	Locating ring	POM+25%GF	1
22	Locking cap	CW617N	1
23	Cap	ABS	1

Product Codes & Dimensions

Stock Code	DN Size	A	B	C	D	E
30964	ø15	ø15.1	59	131	108	50.9
30966	ø22	ø22.1	61	155	110	50.9



TMV3 Thermostatic Mixing Valve with Service Valves

TMV3S



Features and Benefits

- Cold water supply temperature 5°C - 25°C
- Hot water supply temperature 55°C - 65°C
- Temperature adjustment range 30°C - 50°C
- Factory set thermostatic controller 42°C 0/2°C
- Accuracy of outlet temperature $\pm 2^\circ\text{C}$
- Min. temperature differential 12°C (between hot supply & outlet temp)
- Supply pressure imbalance dynamic 2:1
- Flow rate minimum 5 Litres/min
- WRAS Approved
- Certified to TMV2 and TMV3

Approvals: TMV2 NSF2254/012 and TMV3 NSF2255/0120

Material Specifications

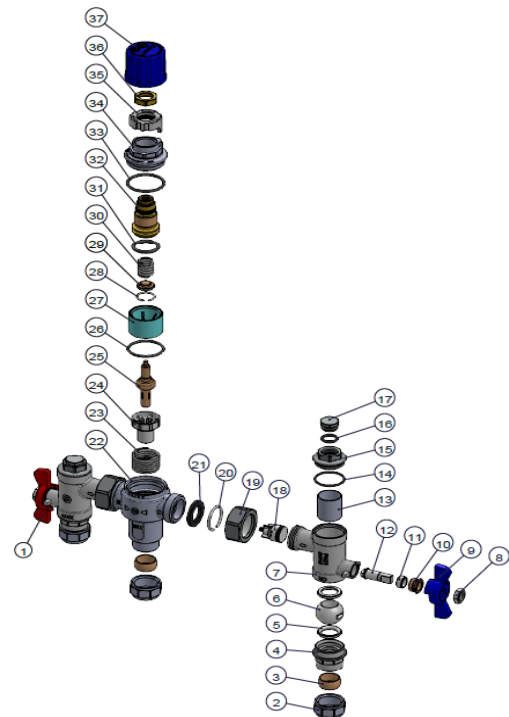
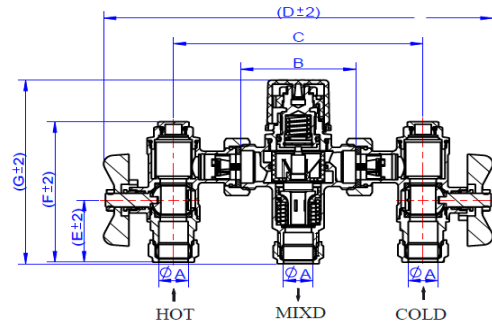
No.	Name	Material	QTY.
1, 9,	Lever	Aluminium alloy (RAL3020)	2
2, 19	Union nut	CW602N, chrome plated	5
3	Sleeve	CW507L	3
4, 15, 34	Bonnet	CW602N, chrome plated	5
5	Seat	PTFE, WRAS approved	4
6	Ball	CW602N, chrome plated	2
7	Body	CW602N, chrome plated	2
8	Locknut	Steel, dacromet plated	2
10	Packing nut	CW617N	2
11	Packing	PTFE, WRAS approved	2
12, 32	Stem	CW602N	3
13	Screen	Stainless steel	2
14, 16, 26, 31, 33	O-ring	EPDM, WRAS approved	7
17	Plug	CW602N, chrome plated	2
18	Check valve	Element, WRAS approved	2
20, 28	Circlip	Stainless steel	3
21	Gasket	EPDM, WRAS approved	2
22	Valve body	CW602N, chrome plated	1
23, 30	Spring	Stainless steel	2
24	Water flow directors	PSU	1
25	Thermostat	Subassembly	1
27	Piston	PSU	1
29	Block	CW602N	1
35	Locating ring	POM+25%GF	1
36	Locking cap	CW617N	1
37	Cap	ABS	1

Technical Data

- Static Pressure: 10 Bar
- Dynamic Pressure: 5 Bar
- Temperature Adjustment Range: 30°C - 50°C

Product Codes & Dimensions

Stock Code	DN Size	A	B	C	D	E	F	G
30962	$\varnothing 15$	$\varnothing 15.1$	59	128	200	36	82	108
30963	$\varnothing 22$	$\varnothing 22.1$	61	129	201	38	86	110



Balancing Valves

12



Balancing Valves

12

Brymec have a wide range of valves for hydronic balancing of distribution pipes in heating and cooling closed circuit systems. On complex installations, the pipework needs to be balanced to maintain the required flow rates to ensure a comfortable environment for the building occupants. Brymec Balancing Valves are manufactured with high quality materials and backed up with in-house technical advice, providing designers and installers with the perfect solution for system balancing.

Double Regulating Commissioning Valves

- › DN15 to DN50 Size Range
- › High Quality DZR Brass
- › Threaded and Press connections available
- › Fixed Orifice to provide greater accuracy
- › Precise and accurate flow regulation



Differential Pressure Control Valves (DPCV)

- › DN15 to DN50 Size Range
- › Maintains a constant differential pressure between two points
- › Maintains Pressure across branches preventing excessive pressure on downstream components
- › Supplied with capillary tube for connection to Partner Valve



Thermal Balancing Valves

- › DN15 & DN20 Size Range
- › Female BSP Connections
- › Thermostatically regulates flow
- › Automatic Anti-legionella treatment
- › Easy temperature adjustment



DZR Brass Commissioning Valve - FxF BSPP COM1T



Features and Benefits

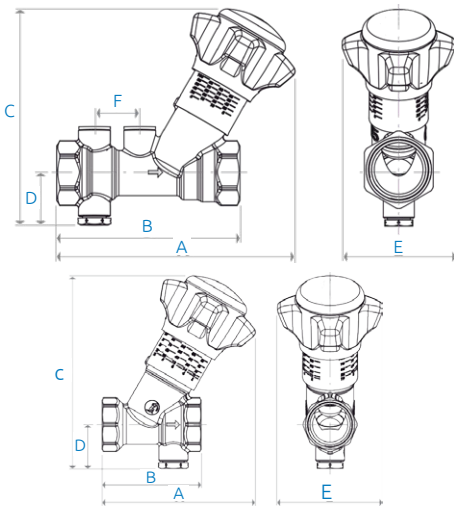
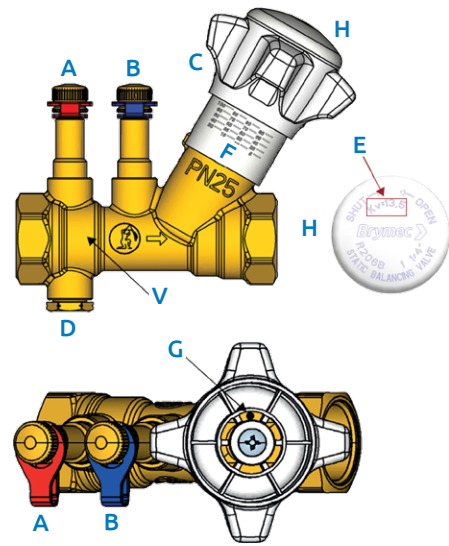
- Drain connection 1/4" F - ISO 228
- Sensor holder for needle Ø3mm and length 30-40mm
- Closing function
- Presetting possibility
- Venturi flowmeter for flow rate measurement by means of pressure probes

Technical Data

- Temp. Range: 5°C to 110 °C
- Max. Working Pressure: 25 bar (2500 kPa)

Components & Materials Specification

- Handwheel: ABS, white colour
- Body: dezincification resistant brass DZR (EN 12165 - CW602N)



ITEM	DESCRIPTION
A	High pressure probe
B	Low pressure probe
C	Handwheel
D	Drain 1/4" F
E	Kv of the Venturi flow meter
F	Scale for 0 -100% setting (20 positions)
G	Presetting screw (limiting the stroke)
H	Removable head (For presetting) with imprinted the Venturi Kv
V	Venturi flow meter

Product Codes & Dimensions

STOCK NO.	CONNECTIONS	A (mm)	B (mm)	C (mm)	D (mm)	E (mm)	F (mm)	Kv	Kv Venturi
38897	1/2 LF	93	54	117	24	64	-	2.1	*
38891	1/2"	131	95	119	25	64	25	2.7	4.0
38892	3/4"	131	101	118	28	64	25	5.5	7.5
38893	1"	131	110	122	32	64	25	7.0	11.0
38894	1 1/4"	137	120	129	35	64	25	9.5	13.5
38895	1 1/2"	163	140	166	39	64	25	18.8	24
38896	2"	169	154	172	45	70	25	25.5	31

* 1/2" LF close coupled to fixed orifice plate. Request metering station datasheet for details

DZR Brass Double Regulating Valve - Fx F BSPP

COM1



Features and Benefits

- Drain connection 1/4" F - ISO 228
- Closing function
- Presetting possibility

Technical Data

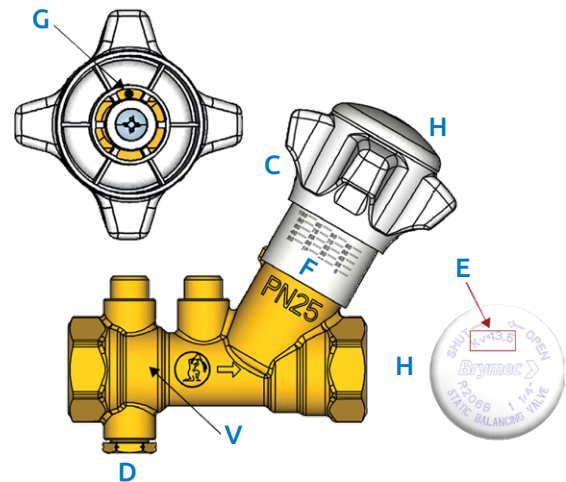
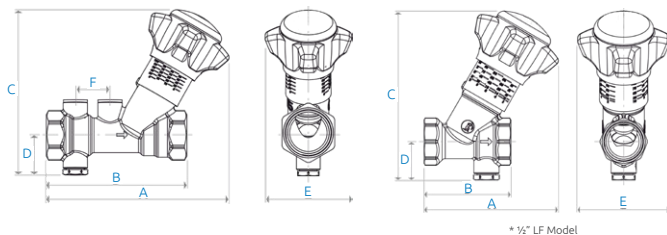
- Temp. Range: 5 - 110 °C
- Max. Working Pressure: 25 bar

Product Specifications

- BSP Parallel ISO 228/1 Connections
- Static balancing via Venturi principle

Components & Materials Specification

- Handwheel: ABS, white color
- Body: dezincification resistant brass DZR (EN 12165 - CW602N)



ITEM	DESCRIPTION
C	Handwheel
D	Drain 1/4" F
E	Kv of the Venturi flow meter
F	Scale for 0 - 100% setting (20 positions)
G	Presetting screw (limiting the stroke)
H	Removable head (for presetting) with imprinted the Venturi Kv

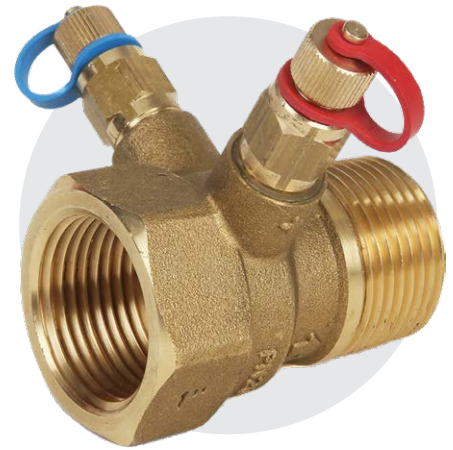
Product Codes & Dimensions

STOCK NO.	CONNECTIONS	A (mm)	B (mm)	C (mm)	D (mm)	E (mm)	F (mm)	Kv
38897	1/2 LF	93	54	117	24	64	-	2.1
38898	1/2"	131	95	119	25	64	25	2.7
38899	3/4"	131	101	118	28	64	25	5.5
38900	1"	131	110	122	32	64	25	7.0
38901	1 1/4"	137	120	129	35	64	25	9.5
38902	1 1/2"	163	140	166	39	64	25	18.8
38903	2"	169	154	172	45	70	25	25.5

* 1/2" LF close coupled to fixed orifice plate. Request metering station datasheet for details



DZR Brass Metering Station - FxM BSPT COM2



Features and Benefits

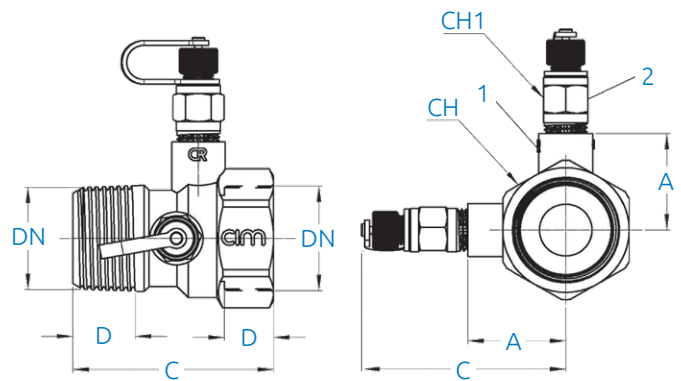
- Screwed BSP taper
- Fixed orifice with $\pm 5\%$ flow measurement accuracy
- Can be close coupled to a double regulating valve
- Supplied with 2 fitted test points
- $\frac{1}{2}$ " available in Std, Med, Low, Ultra Low and Ultra Ultra Low flow versions

Technical Data

- Max. Pressure: 20 bar
- Working Temp: -10 to 120°C

Applicable Standards

- Testing 12266-1
- 1507 BSP taper connections



Material Specifications

NO	NAME	MATERIAL
1	Body	DZR Brass CW602N-M
2	Pressure Test Point	DZR Brass

Product Codes & Dimensions

STOCK NO.	DN	A	C	D	CH	CH1	Kgs	Kvs
38769	$\frac{1}{2}$ " UUL *	25	67	17	28	14	0.23	0.10
38770	$\frac{1}{2}$ " UL *	25	67	17	28	14	0.23	0.23
38771	$\frac{1}{2}$ " LF *	25	67	17	28	14	0.23	0.47
38772	$\frac{1}{2}$ " MF *	25	67	17	28	14	0.23	0.98
38905	$\frac{1}{2}$ "	25	67	17	28	14	0.23	1.80
38906	$\frac{3}{4}$ "	28	67	17	34	14	0.27	4.06
38907	1"	31	64	19	40	14	0.32	7.45
38908	1 $\frac{1}{4}$ "	36	71	22	51	14	0.47	16.63
38909	1 $\frac{1}{2}$ "	39	71	21	56	14	0.53	23.00
38911	2"	45	80	26	71	14	0.81	47.35

* Use with $\frac{1}{2}$ " LF DRV **COM03** to give low flow close coupled commissioning valve option

DZR Brass Commissioning Valve - Press Fit COM1TPF

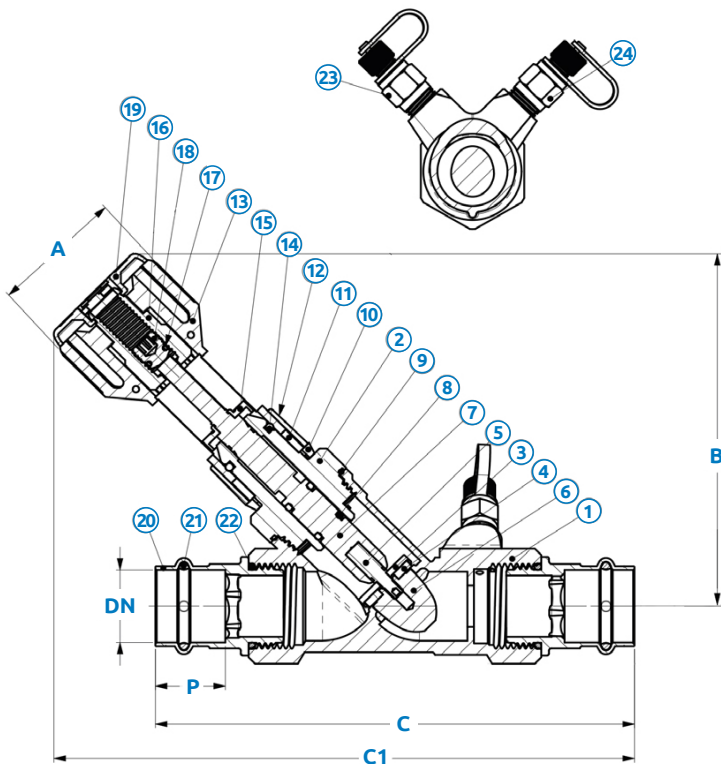


Features and Benefits

- Press Profile - M"
- Conforms to BS 5154
- Fixed orifice with $\pm 5\%$ flow measurement accuracy
- 5 year warranty

Technical Data

- Max pressure:
DN15 - 24 Bar
DN22 & DN28 - 20 Bar
DN 35 to DN54 - 17 Bar
- Working temp: -10°C to $+120^{\circ}\text{C}$



Product Codes and Dimensions

STOCK NO	Size	A(mm)	B(mm)	C(mm)	C1(mm)	P(mm)
36339	15mm	51	111	144	192	22
36340	22mm	51	129	165	217	25
36341	28mm	51	138	185	224	27
36342	35mm	51	142	216	245	27
36343	42mm	57	181	248	302	32
36344	54mm	57	190	295	326	37

Material Specifications

NO	NAME	MATERIAL
1	Body	DZR Brass
2	Bonnet	DZR Brass
3	Gasket Support	DZR Brass
4	Gasket	EPDM
5	Stem for Shutter	DZR Brass
6	Shutter	DZR Brass
7	Stem	DZR Brass
8	Lock Nut	EPDM PEROX
9	Handle	EPDM PEROX
10	Nut	Hostaform
11	Outdistance	Nylon
12	1/10 Turn Index	Hostaform
13	Knob	Hostaform
14	Pin	Steel
15	Index	Hostaform
16	Entrainer	Brass
17	Stem Gaskets O-Ring	NBR 70SH
18	Memory	Brass
19	Cup	Hostaform
20	Adaptor	DZR Brass
21	O-Ring (Delta)	EPDM 70 PEROX
22	O-Ring	EPDM 70 PEROX
23	Binder Point Blue	-
24	Binder Point Red	-

DZR Brass Double Regulating Valve - Press Fit COM1PF



Features and Benefits

- Press Profile - M"
- Handwheel with shut off function and clear 360° reading
- Conforms to BS 5154
- 5 year warranty

Technical Data

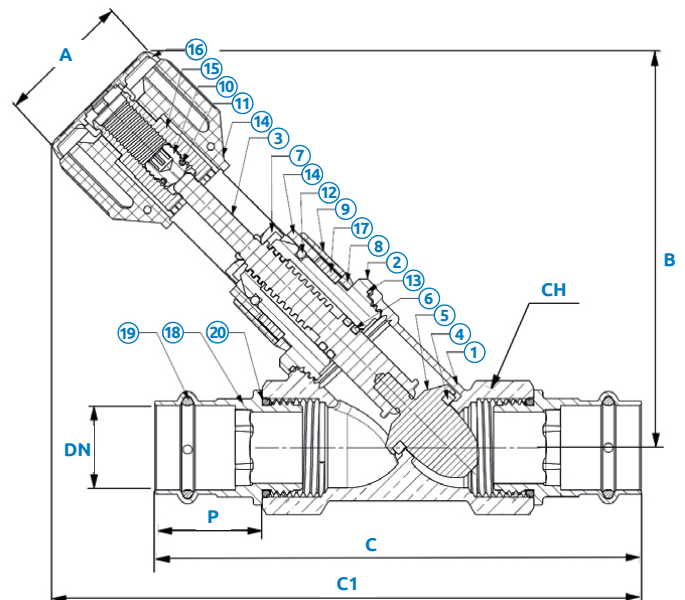
- Max pressure:
DN15 to DN28 - 20 Bar
DN35 to DN54 - 17 Bar
- Working temp: -10°C to +120°C

Material Specifications

NO	NAME	MATERIAL
1	Body	DZR Brass
2	Bonnet	DZR Brass CW602N
3	Stem	DZR Brass CW602N
4	Gasket	EPDM
5	Shutter	DZR Brass CW602N
6	O-Ring	EPDM PEROX
7	Blue Index	POM
8	Blue Turn Index	POM
9	1/10 Turn Index	POM
10	Memory	Brass CW617N
11	Stem Gasket O-Ring	NBR 70Sh
12	Pin	Steel
13	O-Ring	EPDM PEROX
14	Knob	PA6 Fiberglass (15%)
15	Entrainer	Brass CW617N
16	Cap Blue	POM
17	Thickness	Nylon
18	Joint	DZR Brass CW511L
19	O-Ring	EPDM PEROX
20	O-Ring	EPDM PEROX

Product Codes and Dimensions

STOCK NO	Size	A (mm)	B (mm)	C (mm)	C1 (mm)	P (mm)	CH (mm)
36348	15mm	51	104.5	118	163	22	28
36349	22mm	51	121	136	182.5	25	33
36350	28mm	51	133	148	190	27	40
36351	35mm	51	141	164	199.5	27	51
36352	42mm	57	181	184.5	251	32	56
36353	54mm	57	190	227	278.5	37	71



Ductile Iron Double Regulating Valve COM3



Features and Benefits

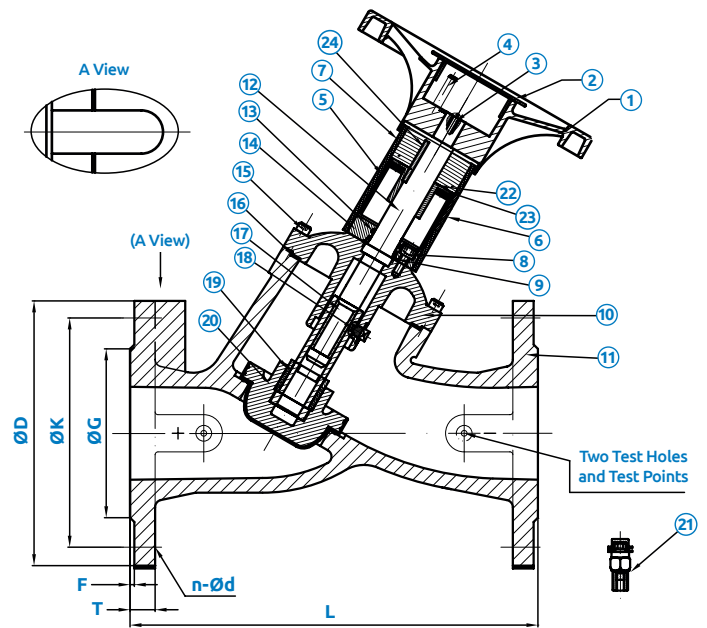
- Position indicator
- Supplied with 2 test points and extensions
- EPDM cone seating gives tight shut off
- Conforms to BS 7350 / BS 5152

Technical Data

- Max pressure 16 Bar
- Working temp: -20°C to +120°C
- Flange mounting PN16 only
- Flange conforms to BS EN1092 PN16

Material Specifications

NO	NAME	MATERIAL
1	Handwheel	Aluminium Alloy / Steel
2	Handwheel Cover	Plastic
3	Handwheel Lock Screw	Stainless Steel 304
4	Adjusting Screw	Stainless Steel 304
5	Indication Tube	Plastic
6	Transparent Scale	Plastic
7	Connection Tube	ABS Plastic
8	Hexagon Socket Screw	Carbon Steel
9	O-Ring	EPDM
10	Cover	Cast Iron
11	Body	Ductile Iron
12	Stem	Stainless Steel 410
13	O-Ring	EPDM
14	Packing Gland	Stainless Steel 410
15	Hexagon Socket Screw	Carbon Steel
16	Graphite Gland	Graphite

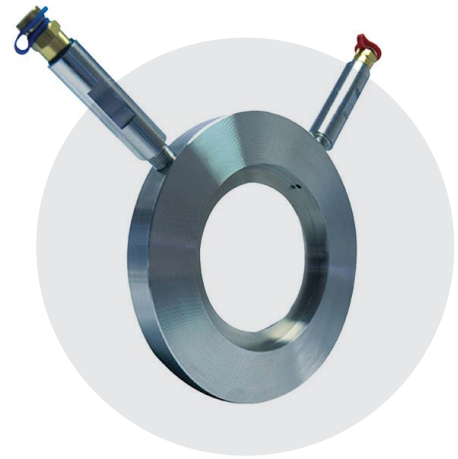


NO	NAME	MATERIAL
17	Stem Nut	HPb59-1
18	Positional Screw	Stainless Steel 304
19	Nut Cover	HPb59-1
20	Disc wrapped in rubber	Cast Iron + EPDM
21	Test Points	-
22	Drive Plate	Stainless Steel 410
23	Screw	Carbon Steel
24	Flat Key	Stainless Steel 410

Product Codes and Dimensions

STOCK NO	Size	D (mm)	K (mm)	n-Ød (mm)	T (mm)	G (mm)	F (mm)	L (mm)	A (mm)	Kv	Kgs
38777	2"	165	125	4 - 19	19	99	3	230	370	48.2	12.4
38912	2½"	185	145	4 - 19	19	118	3	290	430	82.6	15.8
38913	3"	200	160	8 - 19	19	132	3	310	440	117.4	20.8
38914	4"	220	180	8 - 19	19	156	3	350	470	211.4	29.8
38915	5"	250	210	8 - 19	19	184	3	400	520	381.5	41.7
38916	6"	285	240	8 - 23	19	211	3	480	570	462.4	55.6
38917	8"	340	295	12 - 23	20	266	3	600	730	790.0	125.5
38778	10"	405	355	12 - 28	22	319	3	730	830	1135	194
38779	12"	460	410	12 - 28	24.5	370	4	850	950	2022	288

Stainless Steel Metering Station COM4



Features and Benefits

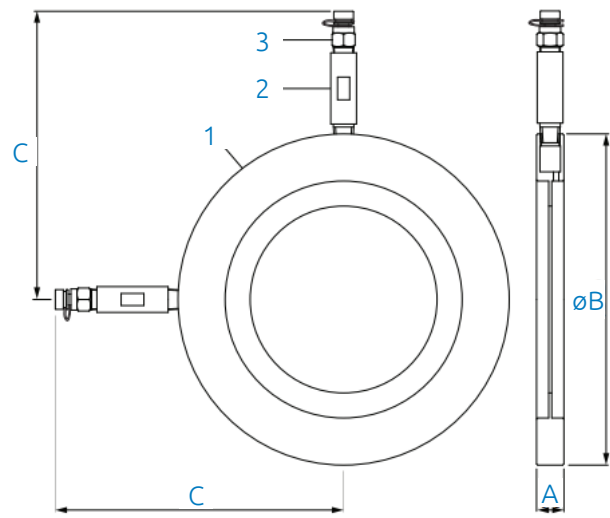
- Stainless Steel Metering Station
- Fixed Orifice. C/W Ext & Test Points
- Wafer pattern
- Fixed orifice with $\pm 5\%$ flow measurement accuracy
- Can be close coupled to a double regulating valve
- Supplied with 2 extensions and test points

Technical Data

- Max. Pressure: 16 bar
- Working Temp: -10 to 120°C

Applicable Standards

- Fits between BS EN1092 flanges PN16
- Flow characteristic confirmed to BS 7350



Material Specifications

NO	NAME	MATERIAL
1	Body	304 Stainless Steel
2	Extension	304 Stainless Steel
3	Pressure Test Point	Brass

Product Codes & Dimensions

STOCK NO	DN	A	B	C	Kgs	Kv (m ³ /hr)	Kv signal*
38918	65	20	125	145	1.9	145.5	88.5
38919	80	20	144	154	2.2	295.4	150.6
38920	100	20	164	164	2.4	702.0	281.1
38921	125	20	194	179	3.1	572.0	328.8
38922	150	20	220	192	3.4	807.0	477.5
38774	200	20	275	219	4.7	1416.0	826.0
38775	250	20	333	248	6.0	1975.0	1218.0
38776	300	20	385	304	8.0	2990.0	1794.0

* Kv signal used when calculating flow rate via differential pressure measurement across tapings



DZR Brass Differential Pressure Control Valve - FxF BSPT COM5

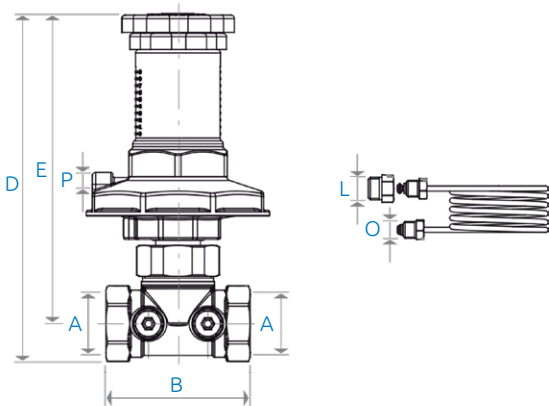


Features & Benefits

- Maintains constant differential pressure with any flow
- Low (L) & high (H) differential pressure ranges as standard
- L mode = 5 - 30 kPa and H mode = 25 - 60 kPa
- Factory set to minimum
- Supplied with 1m capillary for connection to Partner valve
- Return mounted
- Can be installed in horizontal or vertical pipework
- DZR, EPDM wetted parts

Technical Data

- Compatible Fluids: Water, glycol-based solutions (max. 50% of glycol)
- Temp. Range: 5 - 110 °C (-20 - 110 °C with anti-freezing glycol)
- Max. Working Pressure: 16 bar
- Max. Differential Pressure: 6 bar
- Setting of Differential Pressure Range: "L" setting = 5 - 30 kPa; "H" setting = 25 - 60 kPa
- Connections for pressure outlets: 1/4" F (Rp - EN 10226)
- Connections for copper capillary: 1/8" F (Rp - EN 10226)

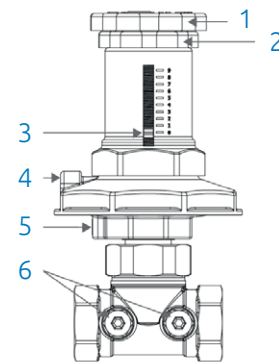


Product Codes & Dimensions

STOCK NO	A	B	D	E	F	L	O	P	Kv
36548	1/2" F	65	185	170	108	R 1/4" M	R 1/8" M	Rp 1/8" F	2.24
36550	3/4" F	75	188	170	108	R 1/4" M	R 1/8" M	Rp 1/8" F	3.49
36554	1" F	85	202	181	108	R 1/4" M	R 1/8" M	Rp 1/8" F	5.92
36555	1 1/4" F	95	208	181	108	R 1/4" M	R 1/8" M	Rp 1/8" F	6.95
36556	1 1/2" F	100	220	192	108	R 1/4" M	R 1/8" M	Rp 1/8" F	11.72
36558	2" F	130	227	192	108	R 1/4" M	R 1/8" M	Rp 1/8" F	12.97

Materials

- Body and internal components: brass EN12165 - CW602N (DZR)
- Other components not in contact with water: brass EN12165 - CW617N
- Membrane: EPDM with nylon reinforcement
- O-Ring: EPDM
- Springs: galvanized steel
- Plastic components: PA 6 GF15 and POM
- Capillary pipe: copper



Material Specifications

NO	DESCRIPTION
1	Adjustment knob
2	Knob-removing ring nut
3	Indicator ring with graded scale
4	Connection to capillary pipe
5	Air-purging screw
6	Pressure outlets

DZR Brass Thermal Balancing Valve - FxF BSPT TBV1

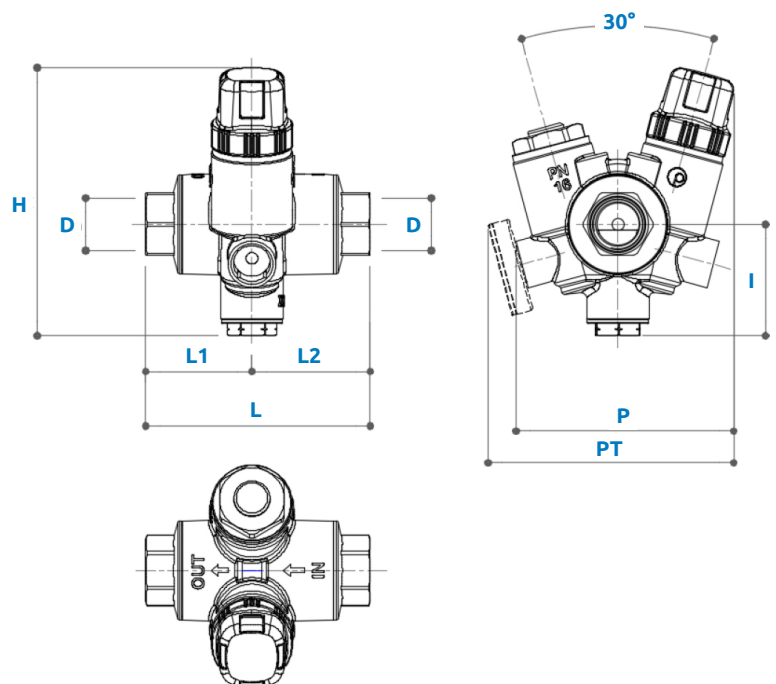


Features and Benefits

- Thermal balancing with flow regulation via hot water temperature
- Easy temperature adjustment between 35 - 60°C and temperature proof cap
- Equipped with Thermal element for automatic anti legionella treatment
- Drywell thermometer - no need to drain

Technical Data

- Max working pressure 16 bar
- Maximum Differential Pressure 1 bar
- Max working temperature 90°C
- Temperature setting range 35° - 60°C
- Disinfection Temperature 70°C
- Accuracy $\pm 2^{\circ}\text{C}$
- Default Presetting 52°C
- K_{vmax} 1,8
- K_{disinf} (by-passC) 1
- K_{vmin} ($T > 75^{\circ}\text{C}$) 0,2



Material Specifications

NAME	MATERIAL
Body	CW511L (EN 12165)-CuZn38As-ASTM C27453
Fitting	CW511L (EN 12165)-CuZn38As-ASTM C27453
Cap	CW511L (EN 12165)-CuZn38As-ASTM C27453
O-ring	EPDM-X
Protection Handwheel	PA66
Presetting Handwheel	ABS
Spring	AISI302
Shutter	PSU

Product Codes and Dimensions

STOCK NO	Size	L(mm)	L1(mm)	L2(mm)	H(mm)	I(mm)	P(mm)	PT(mm)	Weight(gr)
30961P	1/2"	93	44	49	112	46	91	102	950
30962P	3/4"	99	47	52	112	46	91	102	955

Dimension mm - PT = with Optional thermometer – drywell 1/2" M

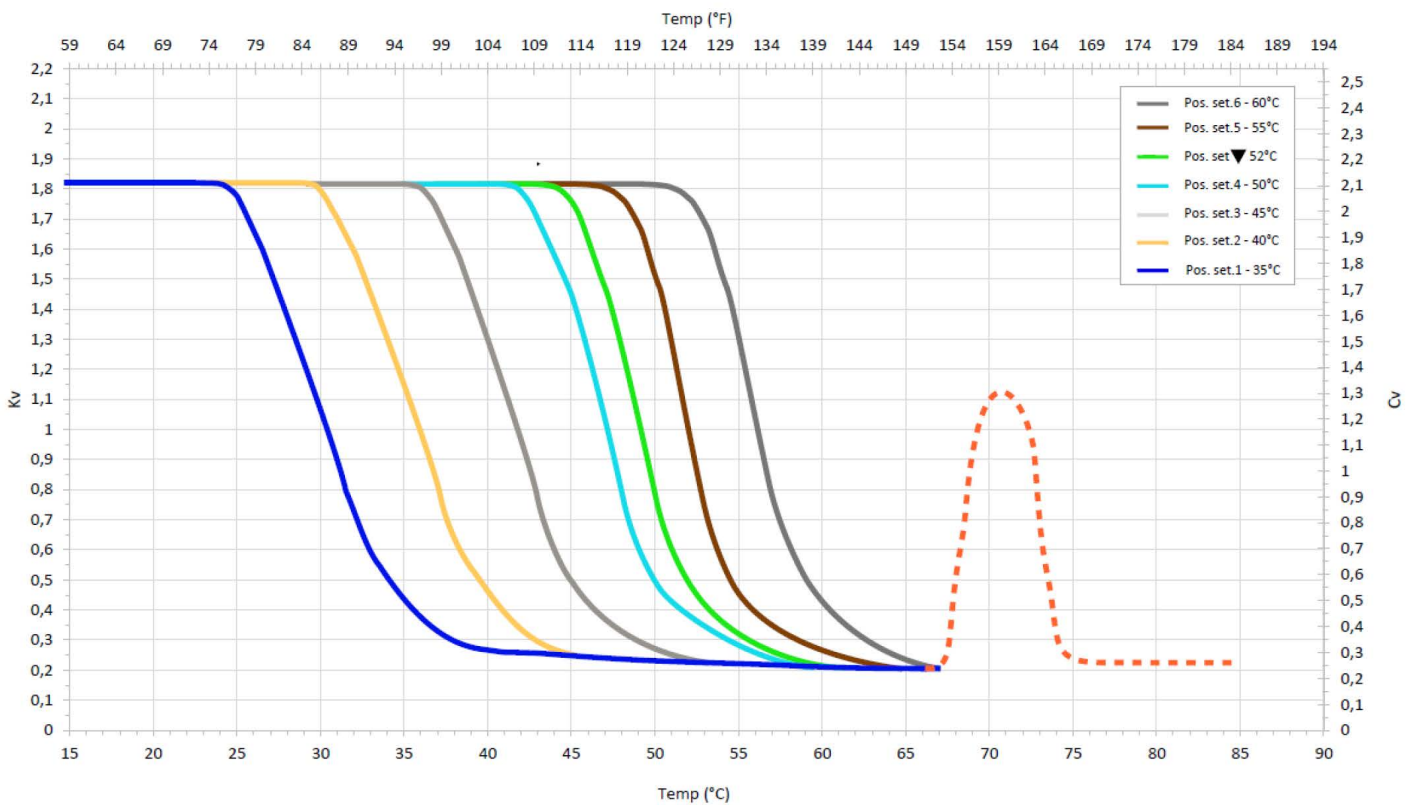


DZR Brass Thermal Balancing Valve - FxF BSPT TBV1



Kv vs. Temperature Chart

Below is the characteristic operating diagram of the Thermal Balancing FxF Valve which shows the Kv value as a function of the temperature of the water passing through the valve and the presetting value selected.



Air Release Valves

13



Air Release Valves

13

The Brymec range of air release valves allow the release of air that is trapped in the pipework as the system is being filled with water. Air pockets trapped in pipework can cause excessive flow reductions and pressure loss so the use of an air release valve will mitigate this and provide maximum system efficiency as well as preventing corrosion.

Automatic Air Valve

- › DN15 and 1/2" Size
- › Compression and threaded options
- › WRAS approved
- › Automatic Air release simplifying the venting process



Automatic Air Valve with check valve

- › DN15 and 1/2" Size Range
- › BSP thread
- › WRAS approved
- › Automatic Air release
- › Check Valve to allow service and maintenance of the system

Brass Automatic Air Vent

AVE1  *Brymec*
Warranty



Features and Benefits

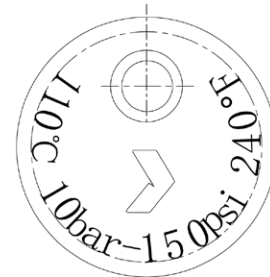
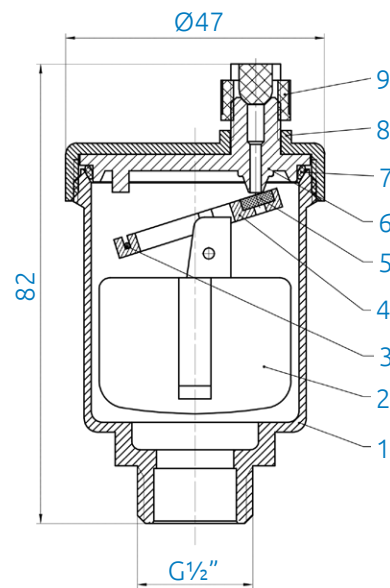
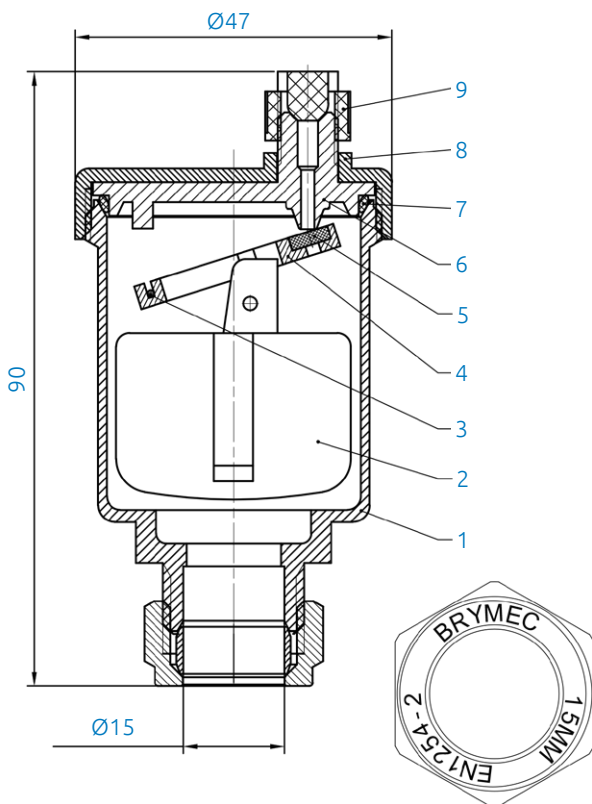
- Automatic air venting during operation
- Suitable for heating/cooling or sanitary
- Can discharge large quantities of air
- Avoids negative phenomenon

Technical Data

- Fields of Applications: Water & glycol solutions
- Max. Working Pressure: PN10
- Max. working temperature: 110°C

Applicable Standards

- Compression connections comply with EN1254-2
- Male thread connection are to: ISO 228



Material Specifications

NO	NAME	MATERIAL	QUANTITY
1	Body	HPb59-T	1
2	Balance Weight	PP	1
3	Tension Spring	SS302	1
4	Plastic Plate	POM	1
5	Rubber Gasket	EPDM	1
6	Cover	POD	1
7	O-Ring	EPDM	1
8	Pressure Cover	HPb59-T	1
9	Plastic Cap	POM	1
10	Compression nut	HPb59-T	1
11	Olive	T2	1

Product Codes & Dimensions

STOCK NO.	SIZE
36250	15mm
36254	½"

Brass Automatic Air Vent with Check Valve

AVE2



Features and Benefits

- Automatic air venting during operation
- Suitable for heating/cooling or sanitary
- Can discharge large quantities of air
- Check valve allows service and maintenance without draining system

Technical Data

- Fields of Applications: Water & glycol solutions
- Max. Working Pressure: PN10
- Max. working temperature: 110°C

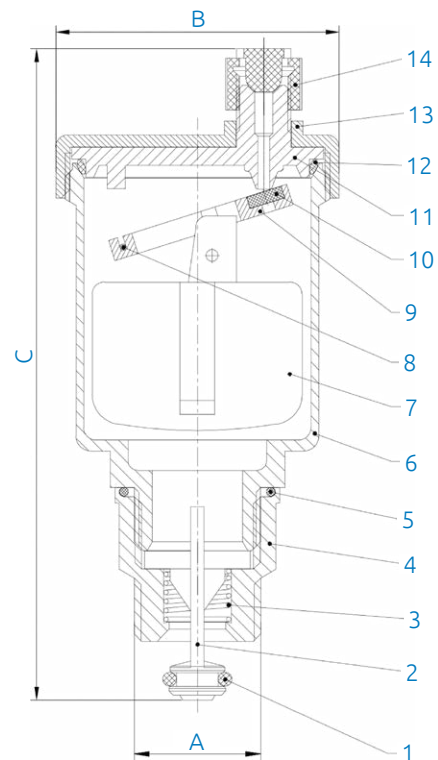
Applicable Standards

- Male thread connection are to: ISO 228



Product Codes & Dimensions

STOCK NO.	WRAS	SIZE	A	B	C
36257	Yes	15mm	3/8"	48	106
30849	No	1/2"	1/2"	47	107



Material Specifications

NO	NAME	MATERIAL	QUANTITY
1	O-ring	EPDM	1
2	Plastic Bar	PP	1
3	Spring	SS302	1
4	Connection Nut	HPb59-T	1
5	O-ring	EPDM	1
6	Body	HPb59-T	1
7	Balance Weight	PP	1
8	Tension Spring	SS302	1
9	Plastic Plate	POM	1
10	Rubber Gasket	EPDM	1
11	Cover	POM	1
12	O-ring	EPDM	1
13	Pressure Cover	HPb59-T	1
14	Plastic Cap	POM	1

Drain Off Cocks

14



Drain Off Cocks

14

A Drain Off Cock, sometimes referred to as a drain tap are an important part of an installation system, as they allow the system to be drained without the need to remove pipework.

-
- › DN15 to DN20 Size range
 - › Solder connections for copper tube
 - › Long Spigot version for press systems
 - › BSP threaded options available
 - › WRAS approved
 - › Square Drive Valve operation



Brass Drain Off Cock - Spigot Tail

DOC1



Features and Benefits

- For hot and cold water systems
- Push-fit/crimp for ease of connections
- Square drive drain valve operation

Technical Data

- Fields of Applications: Water
- Max. Working Pressure: PN10
- Operating Temp. Range: 0 to +70°C
- Max. working temperature: Up to 70°C with occasional excursions
Up to 90°C max for period of 1 hour

Applicable Standards

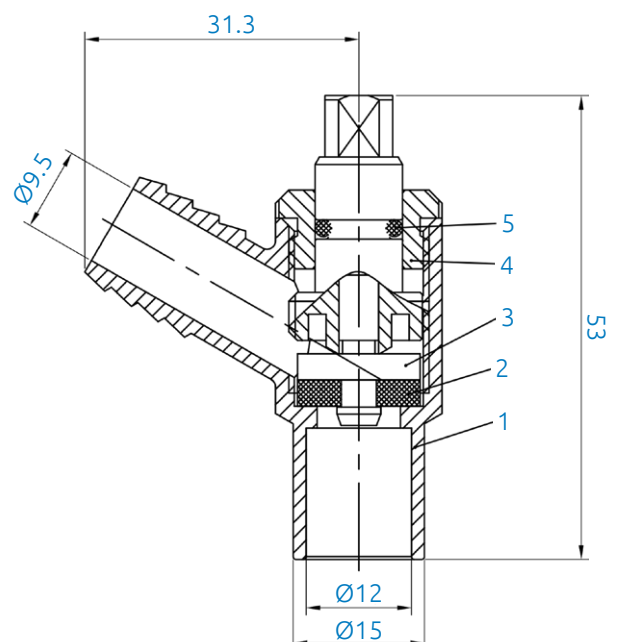
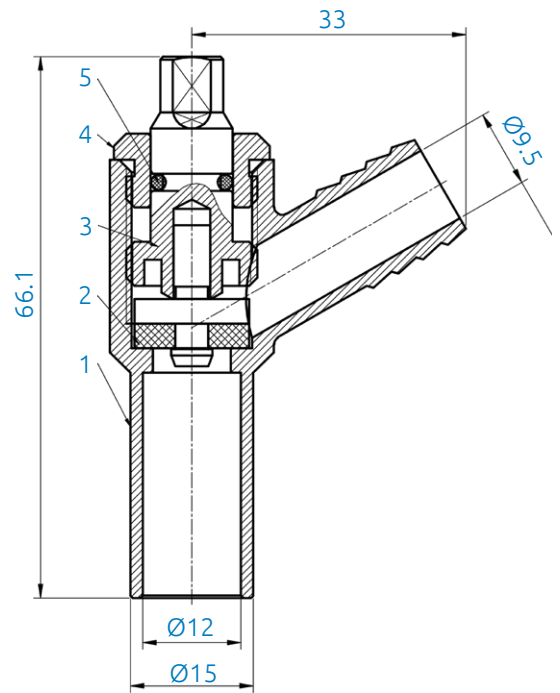
- Valves are manufactured to: BS2879-2
- Capillary end complies with: EN1254-1
- WRAS Approved

Product Codes & Dimensions

STOCK NO.	SIZE	DESCRIPTION
30298	15mm	Long Spigot Drain Off Cock
31150	15mm	Solder Drain Off Cock

Material Specifications

NO	NAME	MATERIAL	QUANTITY
1	Body	HPb59-T	1
2	Washer	NBR	1
3	Stem	HPb59-T	1
4	Lock nut	HPb59-T	1
5	O-ring	NBR	1





Brass Drain Off Cock - Male BSPP

DOC2



Features and Benefits

- For hot and cold water systems
- 1/2" BSP Male connections
- Square drive drain valve operation

Technical Data

- Fields of Applications: Water
- Max. Working Pressure: PN10
- Operating Temp. Range: 0 to +70°C
- Max. working temperature: Up to 70°C with occasional excursions
Up to 90°C max for period of 1 hour

Applicable Standards

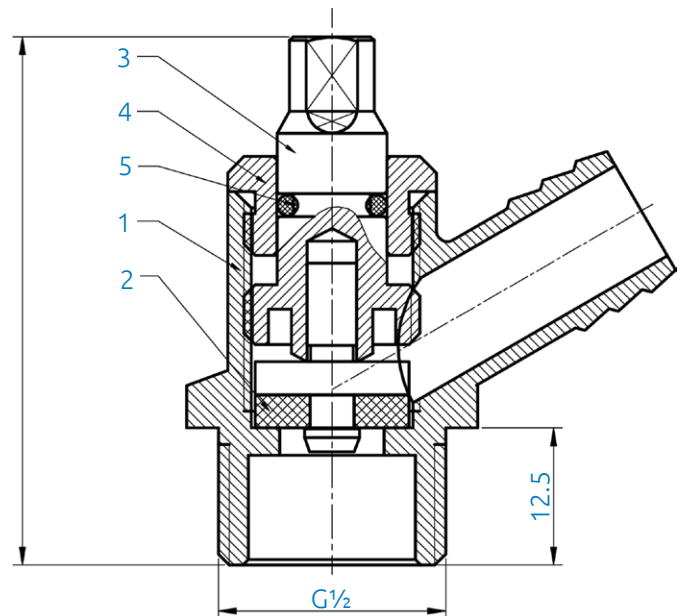
- Valves are manufactured to: BS2879-2
- Capillary end complies with: ISO 228
- WRAS Approved

Product Codes & Dimensions

STOCK NO.	SIZE
31151	1/2"

Material Specifications

NO	NAME	MATERIAL	QUANTITY
1	Body	HPb59-T	1
2	Washer	NBR	1
3	Stem	HPb59-T	1
4	Lock nut	HPb59-T	1
5	O-ring	NBR	1



Solenoid Valves

15



Solenoid Valves

15

Brymec offer a range of Solenoid Valves for both gas and water applications. A solenoid valve can be used wherever the pipework medium needs to be controlled automatically. Solenoids operate using an electromagnetic solenoid coil to change the state of a valve from open to closed, or vice-versa. For example, if the valve is 'normally closed', when the solenoid coil is energized, the electromagnetic force generated by the coil will lift the valve open.

WRAS Solenoids

- › DN15 to DN50 Size Range
- › Female BSP Threads to ISO 228/1
- › Brass Body, EPDM Diaphragm
- › WRAS approved
- › 230V as standard. Other options available on request



BSP Gas Solenoids

- › DN15 to DN50 Size Range
- › Fast acting <1 second
- › Female BSP threads to ISO 228/1
- › Suitable for gas families 123 and compressed air



PN16 Flanged Gas Solenoids

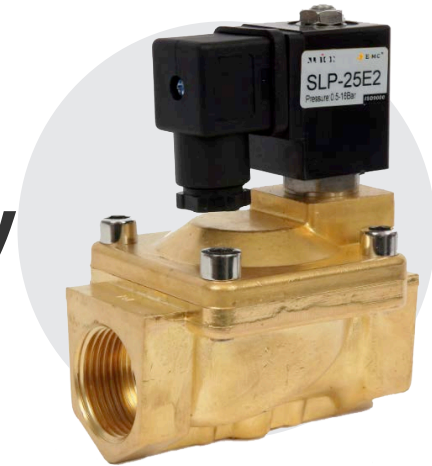
- › DN65 to DN100 Size Range
- › Fast acting <1 second
- › PN16 Flange
- › Failsafe closed
- › Suitable for gas families 123 and compressed air





Brass Solenoid Valve 240V Normally Closed - EPDM

SOL1



Features and Benefits

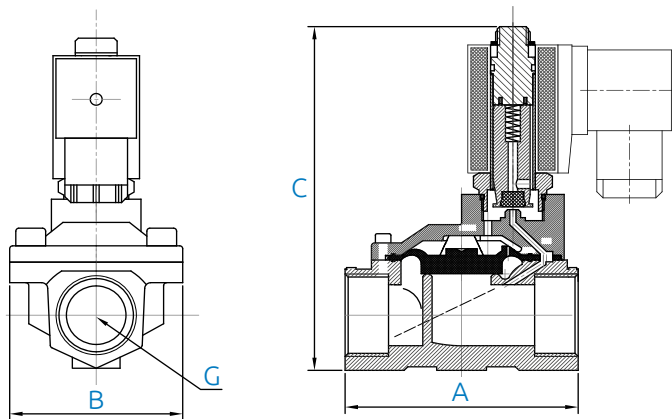
- Normally Closed, Pilot Operated
- 230V as standard
- Brass Body, EPDM Diaphragm
- Alternatives sizes and materials available
- Normally Open & zero pressure
- differential versions
- 12VDC, 24VDC, 24VAC & 110VAC options
- WRAS Approval and performance tested

Technical Data

- Field of application: Water
- Maximum Working Pressure: PN16
- Working Temperature: -20°C to +120°C

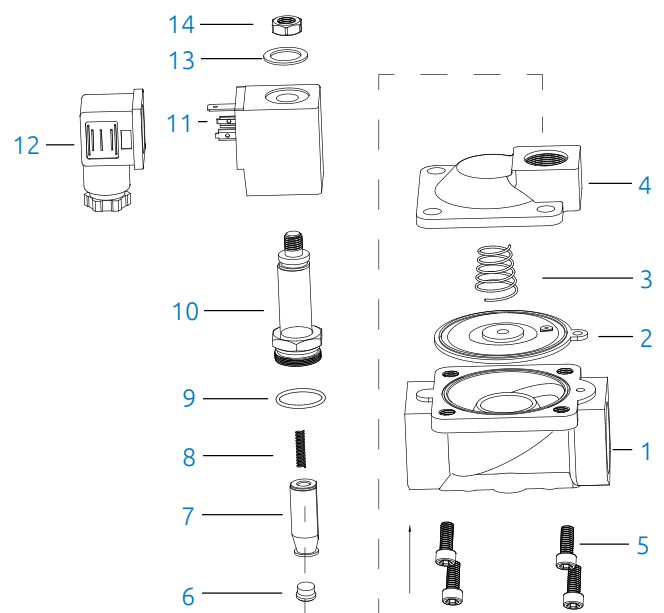
Applicable Standards

- Thread Standard ISO 228/1
- WRAS Approved



Product Codes & Dimensions

STOCK NO	DN	G	A	B	C
36590	1/2"	1/2"	66	48	112
36591	3/4"	3/4"	75	58	118
36592	1"	1"	96	70	131
36593	1 1/4"	1 1/4"	131	96	146
36594	1 1/2"	1 1/2"	131	96	146
36595	2"	2"	165	120	167



Material Specifications

PART NO	PART NAME	MATERIAL
1	Valve Body	Brass/Stainless Steel 316
2	Diaphragm	NBR / EPDM / Viton
3	Diaphragm Spring	Stainless Steel 304
4	Valve Cover	Brass/Stainless Steel 316
5	Bolt	Stainless Steel 302
6	Pilot Seal	NBR / EPDM / Viton
7	Pilot	Stainless Steel 1J117
8	Pilot Spring	Stainless Steel 304
9	O Ring	NBR / EPDM / Viton
10	Plunger Tube Unit	Stainless Steel 304 + 1J117
11	Coil	Enamelled Wire
12	Plug	Nylon
13	Washer	Stainless Steel 302
14	Lock Nut	Stainless Steel 302

Gas Solenoid Valve Fast Open 230V - 1/2" to 1" SOL2



Features and Benefits

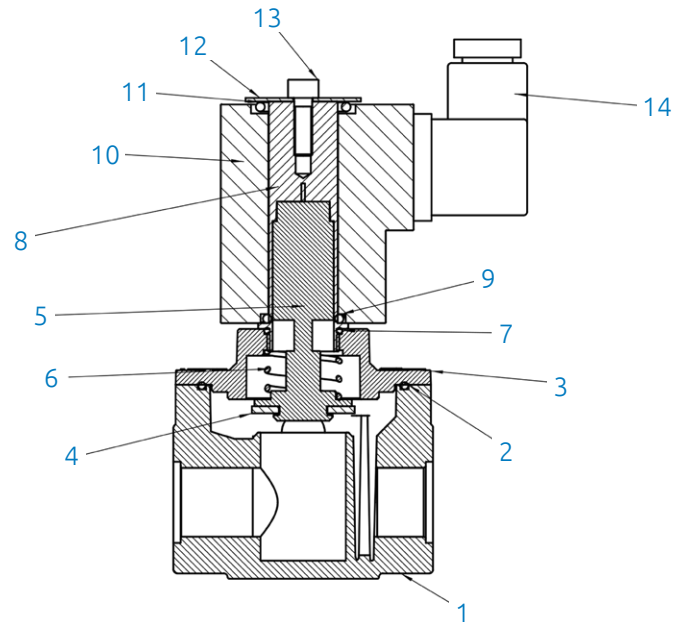
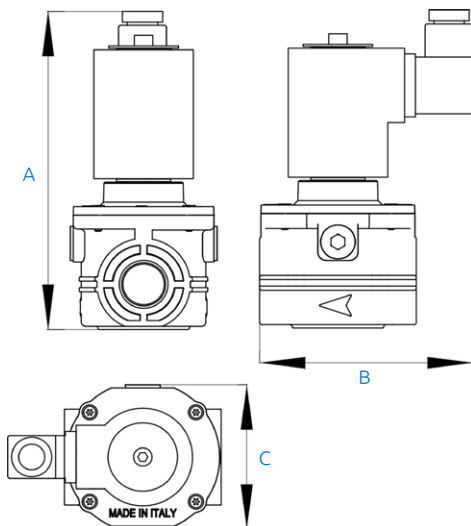
- Fast Opening/Closing <1 second
- 20 Operations per minute
- Fail Safe Closed
- Automatic Reset
- 230V (-15%+10%) 50-60Hz
- 3 Test Point connections 1/4" NPT

Technical Data

- Field of application: Non aggressive Gas family 123 & air
- Maximum Working Pressure: 360 mbar
- Working Temperature: -20°C to +60°C

Applicable Standards

- Thread Standard ISO 228/1
- EN161/PED/EAC
- Coils to class F copper wire class H
- Protection degree IP65
- Complies with PED 2014/68/EU



Material Specifications

PART NO	PART NAME	MATERIAL
1	Body	Aluminium Alloy
2	O-Ring	NBR
3	Cover	Aluminium Alloy
4	Gasket	NBR
5	Plunger	Steel - Brass
6	Spring	Stainless Steel 304
7	O-Ring	NBR
8	Pilot	Steel - Brass
9	O-Ring	NBR
10	Coil	Steel - Nylon - Copper
11	O-Ring	NBR
12	Washer	NBR
13	Screw	Steel
14	Connector	Nylon

Product Codes & Dimensions

STOCK NO	DN	A	B	C	Kg
36680	1/2"	149	72	68	0.8
36681	3/4"	149	72	68	0.8
36682	1"	149	72	68	0.8

Gas Solenoid Valve Fast Open 230V - 1 1/4 to 2" SOL2



Features and Benefits

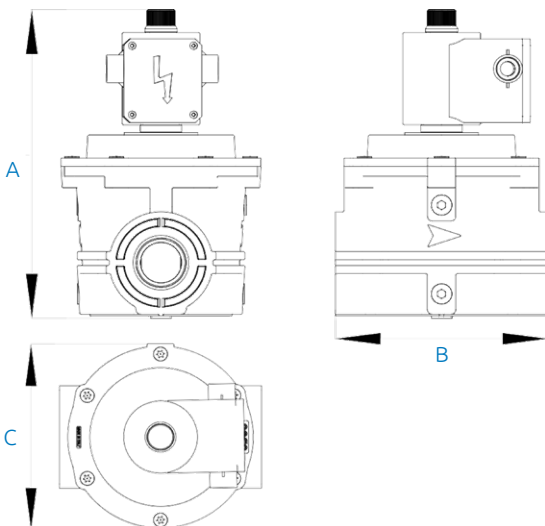
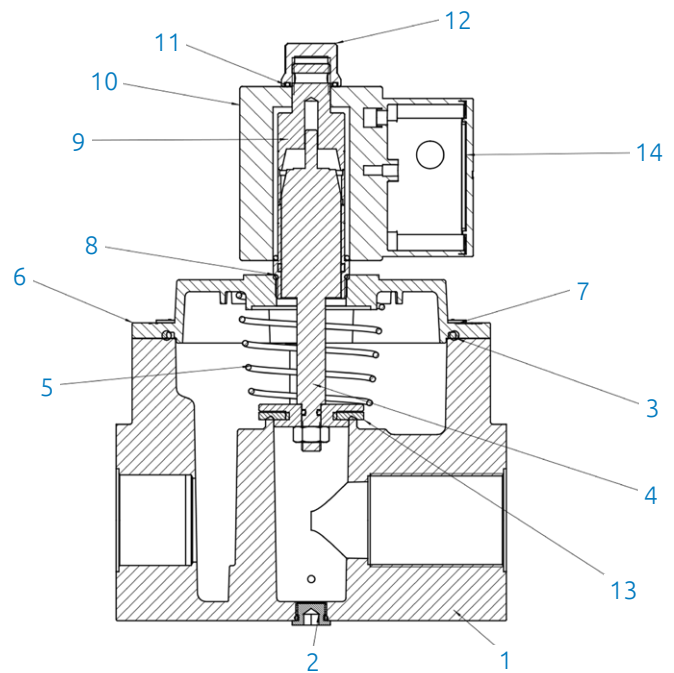
- Fast Opening/Closing <1 second
- 20 Operations per minute
- Fail Safe Closed
- Automatic Reset
- 230V (-15%+10%) 50-60Hz
- 5 Test Point connections 1/4" NPT

Technical Data

- Field of application: Non aggressive Gas family 123 & air
- Maximum Working Pressure: 360 mbar
- Working Temperature: -20°C to +60°C

Applicable Standards

- Thread Standard ISO 228/1
- EN161/PED/EAC
- Coils to class F copper wire class H
- Protection degree IP65
- Complies with PED 2014/68/EU



Material Specifications

PART NO	PART NAME	MATERIAL
1	Body	Aluminium Alloy
2	Screw Plugs	Aluminium Alloy
3	O-Ring	NBR
4	Plunger	Steel - Brass
5	Spring	Stainless Steel
6	Cover	Aluminium Alloy
7	Screw	Steel
8	O-Ring	NBR
9	Pilot	Steel - Brass
10	Coil	Steel - Nylon - Copper
11	O-Ring	NBR
12	Locking ring	Aluminium Alloy
13	Gasket	NBR
14	Connector	Nylon

Product Codes & Dimensions

STOCK NO	DN	A	B	C	Kg
36683	1.1/4"	245	165	155	4.2
36684	1.1/2"	245	165	155	4.2
36685	2"	245	165	155	4.6

Gas Solenoid Valve

Fast Open 230V -

2 1/2" to 4"

SOL2



Features and Benefits

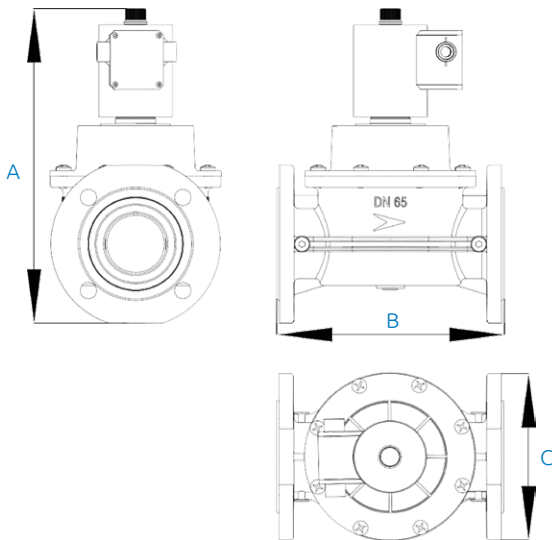
- Fast Opening/Closing <1 second
- 15 Operations per minute
- Fail Safe Closed
- Automatic Reset
- 230V (-15%+10%) 50-60Hz
- 5 Test Point connections 1/4" NPT

Technical Data

- Field of application: Non aggressive Gas family 123 & air
- Maximum Working Pressure: 360 mbar
- Working Temperature: -20°C to +60°C

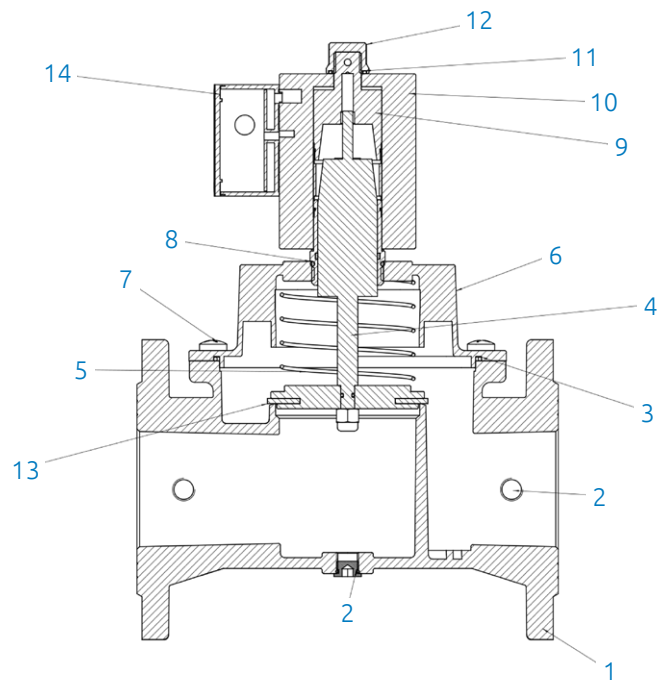
Applicable Standards

- Thread Standard ISO 228/1
- EN161/PED/EAC
- Coils to class F copper wire class H
- Protection degree IP65
- Complies with PED 2014/68/EU



Product Codes & Dimensions

STOCK NO	DN	A	B	C	Kg
36686	65	395	350	220	9.6
36687	80	395	350	220	9.6
36688	100	396	350	220	15.8



Material Specifications

PART NO	PART NAME	MATERIAL
1	Body	Aluminium Alloy
2	Screw Plugs	Aluminium Alloy
3	O-Ring	NBR
4	Plunger	Steel - Aluminium
5	Spring	Stainless Steel
6	Cover	Aluminium Steel
7	Screw	Steel
8	O-Ring	NBR
9	Pilot	Steel - Brass
10	Coil	Steel - Copper - Nylon
11	O-Ring	NBR
12	Locking ring	Aluminium Alloy
13	Gasket	NBR
14	Connector	Nylon

Brymec Technical Support

We recognise the importance of having top quality support from the manufacturer throughout every phase of the construction process, so we are here to provide assurance, technical support and assistance to safeguard your project.

Our Technical Team can assist you from Pre-construction right through to Post Contract and make sure that our attention to detail will be an asset for you.

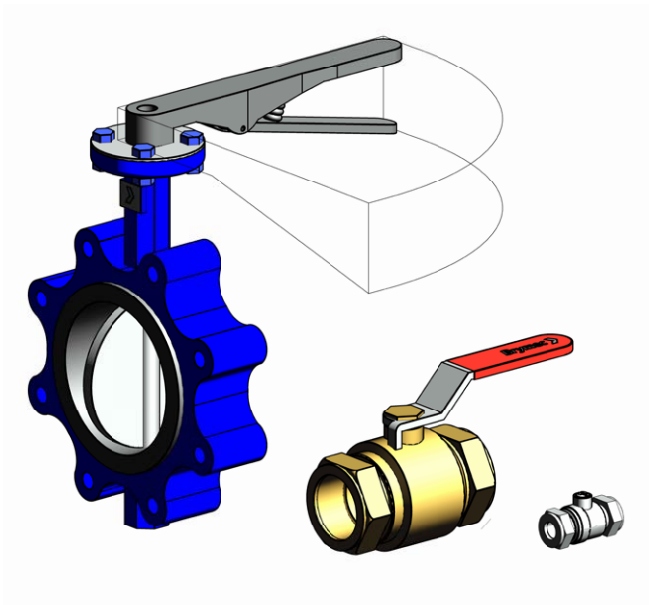
Key Areas of Support

Specification

To ensure that our products suit the application in the best possible way we can offer advice or assistance at this stage

BIM Models

Our products are available in BIM Objects



Project Support

This includes our excellent installation training, site attendance visits, verification and testing when required. Our Technical Laboratory provides quick results from all testing and analysis.

Post Contract

We can assist with full details for O & M Building Manuals, project information and records.

In-House Laboratory/Testing Facility

We have a purpose build laboratory to test our products to ensure they are of the utmost quality for your projects.



Warranty On Brymec Valves

At Brymec we place a huge emphasis on the quality and design of our range of manufactured products. We carry our extensive research, evaluation and design and then integrate Quality Checks at all stages of our processes.

We are very confident in the quality and reliability of our products and due to this, when using a Brymec valves product, Brymec provide a market-leading warranty up to a maximum of 5 years from the date of delivery.

This is a maximum 5-year warranty against defects in workmanship or materials of Brymec valves that have been identified with the Brymec warranty logo.



To qualify for this warranty all items must be installed correctly, for the correct application, in conjunction with correct adjacent materials and in the correct environment, within stated limits of use and performance as stated in our product information, data and any installation, operation and maintenance instructions which can be requested from us and on our website.

To view the full warranty terms and conditions visit [brymec.com/warranty](https://www.brymec.com/warranty)



Terms of Business

1. BACKGROUND

1.1 These Terms apply to the Contract between Brymec and the Customer for the sale of Brymec Products. Any other terms, whether implied by custom or practice, or which the Customer may seek to include, are specifically excluded.

1.2 Capitalised words (such as 'Contract'), have a specific meaning which is set out in 10 below.

2. CONTRACT TO BUY PRODUCTS

2.1 The Products are described on Brymec's website and in its catalogue. Specifications for Products are subject to change, in which case, Brymec will endeavour to supply an equivalent or suitable alternative.

2.2 When the Customer wishes to place an order for Products, it will provide a purchase order to Brymec. If Brymec accepts such order, it will issue an Order Acceptance to the Customer, at which point the Contract shall come into existence.

2.3 The Customer is responsible for ensuring that the details in the Order Acceptance are complete and accurate.

3. DELIVERY

3.1 Each delivery of the Products will be accompanied by a delivery note that shows the date of the Order Acceptance, the relevant Brymec reference number, and the type and quantity of the Products.

3.2 Brymec shall deliver the Products to the Delivery Location at any time after Brymec notifies the Customer that the Products are ready.

3.3 Delivery is completed on the completion of unloading of the Products at the Delivery Location (and, if applicable, Signed For.)

3.4 Customer must notify any issues of non-delivery, discrepancy or damage to Brymec within 2 business days of Delivery (see further 4.2 below).

3.5 Any dates quoted for delivery are approximate only, and the time of delivery is not of the essence. Brymec shall use all reasonable commercial efforts to meet any specific delivery dates. However, Brymec will not be liable for any delay in delivery of the Products.

3.6 If Brymec fails or is unable to deliver the Products for any reason (except for an Unforeseen Event), its liability shall be limited to the costs and expenses incurred by the Customer in obtaining replacement Products of similar description and quality in the cheapest market available, less the price of the Products. Brymec shall have no liability for any failure to deliver the Products to the extent that such failure is caused

by an Unforeseen Event, or the Customer's failure to provide Brymec with adequate delivery instructions or any other instructions that are relevant to the supply of the Products.

3.7 Brymec may deliver the Products by instalments, which shall be invoiced and paid for separately. Any delay in delivery or defect in an instalment shall not entitle the Customer to cancel any other instalment.

4. QUALITY

4.1 Brymec warrants that, on delivery, the Products shall conform in all material respects with their description and any applicable Specification. For products sold by weight, or in the manufacturer's packaging, Brymec may supply quantities of up to 5% more or less than the amount ordered.

4.2 Subject to 4.3 and 4.4 below, if i) the Customer gives notice in writing to Brymec within 2 business days of delivery that the Products do not comply with the Specification, and ii) Brymec is given a reasonable opportunity to examine such Products, and iii) the Customer returns such Products to Brymec's place of business at the Customer's cost, Brymec shall, at its option, replace the defective Products or refund the price of the defective Products in full.

4.3 Brymec shall not be liable for the Products' failure to comply with the warranty set out in clause 4.1 if: i) the Customer makes any further use of such Products after giving notice under 4.2 above; ii) the defect arises because the Customer failed to follow good trade practice or instructions as to the storage, commissioning, installation or use of the Products; or iii) the Customer alters or attempts to repair such Products.

4.4 Brymec may accept Product returned to it no later than 10 business days after the date of Delivery for credit or exchange, provided that the correct delivery details are provided. In this case, Brymec may make a charge for handling and restocking equal to 25% of the price of the returned Products.

4.5 Non-stock Products purchased by Brymec at the Customer's request are non-returnable and non-refundable.

4.6 Other than as set out above, Brymec shall have no liability to the Customer in respect of the Products' failure to comply with the warranty set out in clause 4.1.

5. TITLE AND RISK

5.1 The risk in the Products shall pass to the Customer on completion of delivery.

5.2 Title to the Products shall not pass to the Customer until the earlier of: i) Brymec receives payment in full for the Products; and ii) the Customer resells the Products, in which

Terms of Business

case title to the Products shall pass to the Customer at the time specified in 5.4 below.

5.3 Until title to the Products has passed to the Customer, the Customer shall store the Products separately from all other products held by the Customer so that they remain readily identifiable as Brymec's property, maintain the Products in satisfactory condition, and keep them insured against all risks for their full price from the date of delivery.

5.4 The Customer may use or resell the Products before Brymec receives payment for the Products, in which case it does so as principal and not as Brymec's agent, and title to the Products shall pass from Brymec to the Customer immediately before the time at which such reuse or resale by the Customer occurs.

6. PRICE AND PAYMENT

6.1 The price of the Products shall be the price set out in the Order Acceptance issued by Brymec. Brymec may, by giving notice to the Customer at any time up to delivery, increase the price of the Products to reflect any increase in the cost of the Products that is due to i) any factor beyond Brymec's control (including foreign exchange fluctuations, increases in taxes and duties, and increases in labour, materials and other manufacturing costs), or ii) any request by the Customer to change the delivery date(s), quantities or types of Products ordered, or the Specification.

6.2 The price of the Products excludes amounts in respect of value added tax (VAT), which the Customer shall additionally be liable to pay.

6.3 Unless otherwise stated on the Order Acceptance, Brymec shall be responsible for the cost of insurance and transport of the Products to the Delivery Location.

6.4 Brymec may invoice the Customer for the Products on or at any time after the Products have been despatched.

6.5 Unless otherwise stated in the Order Acceptance, the Customer shall pay the invoice in full and in cleared funds by the end of the month following the month the invoice was dated to the bank account nominated by Brymec. Time for payment is of the essence.

6.6 The Customer must raise any invoice queries with Brymec by email to creditcontrol@brymec.com within 28 days of the invoice date. Brymec will endeavour to respond within 2 business days and to propose a resolution to the Customer within 3 working days. The Customer must communicate any non-acceptance of such resolution to Brymec within 3 business days, failing which the relevant invoice remains payable according to these Terms.

6.7 If the Customer fails to make any payment due to Brymec under the Contract by the due date for payment, then Brymec

shall be entitled to charge interest on the overdue amount at the rate of 4.0% per annum above the base rate from time to time of the Bank of England. Such interest shall accrue on a daily basis from the due date until actual payment of the overdue amount, whether before or after judgment. The Customer shall pay the interest together with the overdue amount.

6.8 The Customer shall pay all amounts due under the Contract in full without any set-off, counterclaim or deduction. Brymec may set off any amount owing to it by the Customer against any amount payable by Brymec to the Customer.

7. LIMITATION OF LIABILITY AND INSURANCE

7.1 Nothing in these Terms shall limit or exclude Brymec's liability for: (i) death or personal injury caused by its negligence; ii) fraud or fraudulent misrepresentation; iii) breach of the terms implied by section 12 of the Sale of Products Act 1979; or defective products under the Consumer Protection Act 1987.

7.2 Subject to 7.1 above, Brymec shall under no circumstances whatsoever be liable to the Customer, whether in contract, tort (including negligence), breach of statutory duty, or otherwise, for any loss of profit, or any indirect or consequential loss arising under or in connection with the Contract; and

7.3 Brymec has obtained insurance cover in respect of its own legal liability for individual claims not exceeding £1,000,000 per claim. Therefore Brymec's total liability to the Customer in respect of all other losses arising under or in connection with the Contract, whether in contract, tort (including negligence), breach of statutory duty, or otherwise, shall in no circumstances exceed £1,000,000, and the Customer is responsible for making its own arrangements for the insurance of any excess loss.

8. UNFORESEEN EVENTS

8.1 Neither party shall be in breach of this Contract nor liable for delay in performing, or failure to perform, any of its obligations under this Contract if such delay or failure results from an Unforeseen Event. If the period of delay or non-performance continues for three months, the party not affected may terminate this Contract by giving one month's written notice to the affected party.

9. GENERAL

9.1 Assignment. The Customer may not assign, transfer, mortgage, charge, subcontract or deal in any other manner with any or all of its rights or obligations under the Contract without Brymec's prior written consent.

9.2 Confidentiality. Each party undertakes that it shall not at any time during this agreement, and for a period of 5 years after termination of this agreement, disclose to any person any confidential information concerning the business, affairs,

Terms of Business

customers, clients or suppliers of the other party, except as permitted by this paragraph. Each party may disclose the other party's confidential information: (i) to its employees, officers, representatives or advisers who need to know such information for the purposes of carrying out its obligations under or in connection with the Contract; and (ii) as may be required by law. No party shall use any other party's confidential information for any purpose other than to exercise its rights and perform its obligations under or in connection with this agreement.

9.3 Entire agreement. This Contract constitutes the entire agreement between the parties and supersedes and extinguishes all previous agreements and understandings between them, whether written or oral, relating to its subject matter. Each party agrees that it shall have no remedies in respect of any statement, representation, assurance or warranty (whether made innocently or negligently) that is not set out in this agreement.

9.4 Variation. No variation of this Contract shall be effective unless it is in writing and signed by the parties (or their authorised representatives).

9.5 Third party rights. No one other than a party to this Contract shall have any right to enforce any of its terms.

9.6 Law and jurisdiction. The Contract, and any dispute or claim arising out of or in connection with it shall be governed by and construed in accordance with the law of England and Wales. Each party agrees that the courts of England and Wales shall have exclusive jurisdiction to settle any dispute or claim arising out of or in connection with this Contract.

10. DEFINITIONS:

10.1 Brymec: Brymec Limited, whose registered office is at Unit C, Redlands, Coulsdon, Surrey, CR5 2HT.

10.2 Terms: the terms set out in this document.

10.3 Contract: the contract between Brymec and the Customer for the sale and purchase of the Products in accordance with these Terms.

10.4 Customer: the business or person who purchases the Products from Brymec.

10.5 Delivery Location: the location for delivery of the Products set out in the Order Acceptance, or such other location as the parties may agree.

10.6 Order Acceptance: a form issued by Brymec in response to a Customer's order for Products, specifying Product details, quantities, prices and costs of transportation.

10.7 Products: the products (or any part of them) set out in the Order Acceptance.

10.8 Signed For: a Customer requirement stated in the Order Acceptance that a delivery of Product must be signed for at the Delivery Location.

10.9 Specification: any specification for the Products set out on Brymec's website or in its catalogue.

10.10 Unforeseen Event: an event or circumstance beyond a party's reasonable control.

Quality Policy

Brymec Ltd (the 'Organisation') aims to provide defect free products and services to its customer on time and within budget.

The Organisation operates a Quality Management System that has gained BS EN ISO 9001 : 2015 certification, including aspects specific to the stockholding and supply of mechanical, plumbing and air conditioning products and services.

This gives us a platform to guarantee a structured approach to our continuous improvement cycle, and ensure we continue to meet and exceed the following key goals:

- Excellence of service to our customers, delivering on site, in full, on time; in the relentless pursuit of total customer satisfaction.
- Offering quality products and systems. We work with worldwide manufacturing plants (in line with our social and ethical policy) to source the best products for the UK market. We ensure that the products are fit for purpose and comply with the relevant approvals and standards. We also research and develop innovative solutions which will add value to our customers, developers and end users
- To motivate, engage and continuously develop our team by providing training, coaching, knowledge sharing and investment to ensure their absolute competence.
- To continue to invest in technology, working to understand customers' needs and streamline their buying processes to maximise efficiencies via modern technology.

This quality policy is endorsed and regularly reviewed by our Senior Management Team, and its scope is communicated to all Brymec employees via our website and other appropriate methods.

Our vision is to become an essential and indispensable supplier to the Building Services Contractor by providing excellence of service, quality products and continually investing in technology.

In order to achieve our vision, we ensure Brymec is an organisation where people love to work, upholding our core values of excellence, courage and collaboration to actively engage our team in contributing towards providing the highest level of customer satisfaction.

Luke Reiner

Managing Director

➤ Ethical Global Procurement Policy

ETHICAL POLICY - SOURCING

At Brymec we recognise the importance of credibility, integrity and trustworthiness in our success as a business. We are committed to upholding high ethical standards in all our operations, everywhere in the world. We believe in the principles of honesty, fairness, and respect for individual and community freedoms. The ethics of our UK operations are demonstrated through responsible:

- Business processes
- Corporate governance
- Custom and practice
- Quality management
- Safe working practices
- Corporate social responsibility
- Facility management
- Equality and diversity
- Anti-bribery and corruption
- Employee care

The Ethical Trading Initiative Code forms the basis of this policy

Additionally, as we expand our network of suppliers to source products globally, it is increasingly necessary to ensure that the organisations that we undertake business with also meet our expectations of standards of supply.

As a minimum Brymec Ltd expects its supply partners to comply with all local laws and regulations and to respect internationally recognised human and labour rights as well as international initiatives for climate change.

In particular we require that suppliers ensure:

- Working hours and remuneration are reasonable and meet the required local wage and working time laws
- Working conditions are safe and hygienic
- No discrimination is practised
- Employment is freely chosen
- Children are not employed, and local minimum age rules are in place
- Freedom of Association and the right to collective bargaining are respected
- No improper advantage, including the payment of bribes.
- Packaging and waste are subject to recycling and safe disposal guidelines
- That all sourcing of materials and manufacturing processes are subject to sustainability and renewability rules

Brymec carry out initial assessments and, on agreeing terms of business, provide the criteria against which the company has been measured by way of regulating ongoing requirements.

Brymec then carry out periodic on-site audits to ensure that compliance is maintained.

Brymec will work with its suppliers to guide and advise them in maintaining and improving required levels of environmental standards.

The Brymec Sourcing Director has responsibility for this policy and will report to the management meetings on any issues arising.

A copy of the Full Ethical trading initiative can be found at www.ethicaltrade.org.