

# Chrome Washing Machine Valve

## ISO 08



### Features and Benefits

- Chrome isolating valve with 15mm compression and 3/4" connections
- WRAS Approved
- Supplied with red and blue levers

### Technical Data

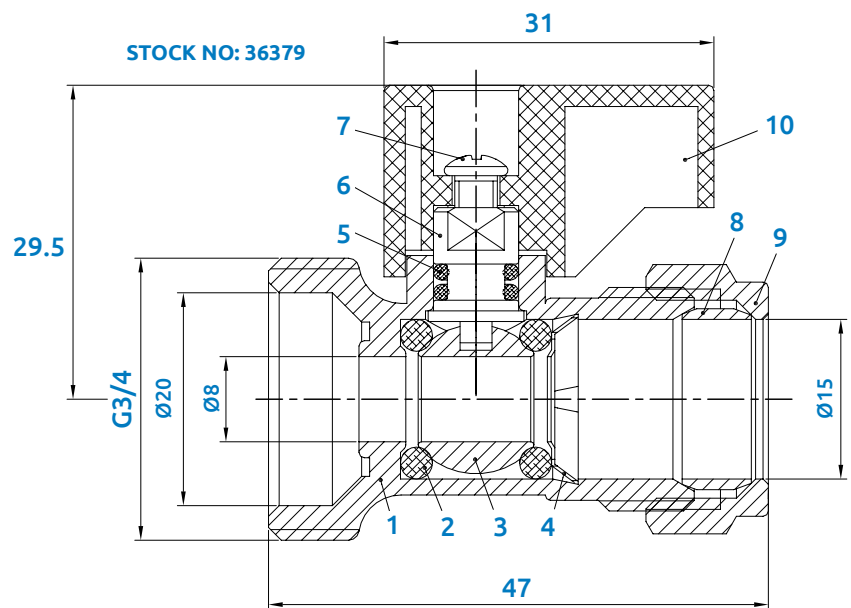
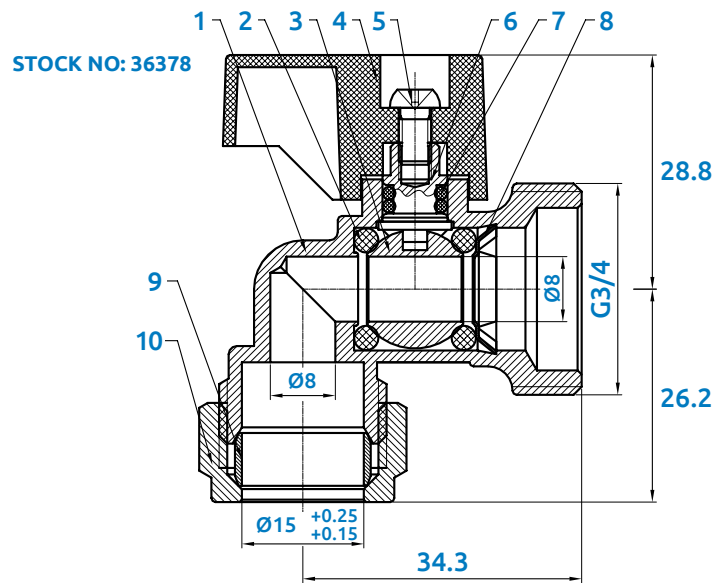
- Fields of applications: Water
- Max working pressure: PN10
- Operating temperature range: -10°C to +85°C

### Applicable Standards

- Compression connections comply with: EN1254-2
- Thread connections: ISO228
- WRAS Approved

### Product Codes and Dimensions

STOCK NO	DN	A (mm)	B (mm)	C (mm)	D (mm)
36378	15	15	8	33.7	30
36379	15	15	8	46	30



### Material Specifications

NO	NAME	MATERIAL	QTY	OTHER
1	Body	HPb59-T	1	Nickel Plating
2	O-ring	NBR	2	-
3	Ball	HPb59-T	1	Chrome Plated
4	Handle	Plastic	1	Red and Blue
5	Screw	Q235	1	-
6	Stem	HPb59-T	1	-
7	O-ring	EPDM	2	-
8	Catch spring	SS302	1	-
9	Olive	T2 copper	1	-
10	Compression Nut	HPb59-T	1	Nickel Plating