

Ductile Iron Coupler CIS01



Features and Benefits

- Tried and tested coupling for all standard application in wastewater pipelines
- Double bolt secured
- Complete with electrical continuity screws
- May also be used for repair work
- EPDM gasket for sound reduction
- High durability
- Not susceptible to temperature change
- Rapid and simple assembly

Material Specifications

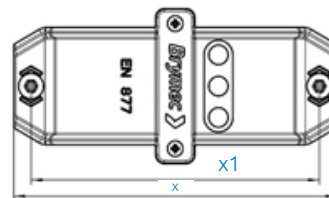
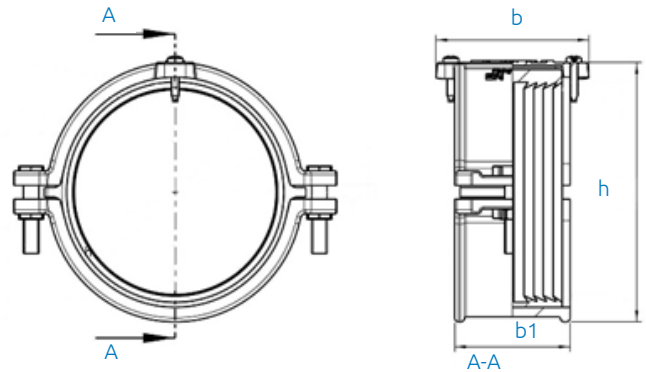
Description	Materials
Coupling	Ductile Iron
Gasket	EPDM – Shore=55° +/-5°
Clamping Bolt	M8 x 40mm S/Steel, 6mm Hex Cap Head

Technical Data

- Chemical resistance to wide range: pH2 to pH12
- Tensile strength: ≥ 150 MPa
- Compression strength: $\square 450$ MPa
- Shear strength: ≥ 165 MPa
- Density: approx. 7.2 kg/dm³ (71.5 kN/m³)
- Low thermal expansion (0.0105 mm/mK)

Applicable Standards

- Pipe and Fittings Standard: EN 877
- EPDM: EN 681-1:1996



Product Codes and Dimensions

STOCK NO.	Nominal Diameter (mm)	h (mm)	x (mm)	x1 (mm)	b (mm)	b1 (mm)	Weight (KG)
52006	50	80	111	93	70	50	0.65
52007	70	107	132	115	70	50	0.83
52008	100	133	168	150	80	60	1.19
52009	150	183	230	215	90	71	1.87
52010	200	239	278	256	102	82	3.85