

Wafer Ductile Iron Butterfly Valve

CIV 01



Features and Benefits

- Wafer pattern design, for quick installation
- Wider EPDM seat design, replaceable, suits different type of flanges
- Streamlined stainless steel disc, lower water head lost
- ISO top flange as standard, easy to suit actuators
- Bi-directional shut-off seat
- Eccentric pin on the stem, protects the structure of the stem, providing safety and strength
- Lever operation DN50 - DN150
- Gearbox operation DN200 - DN300

Applicable Standards

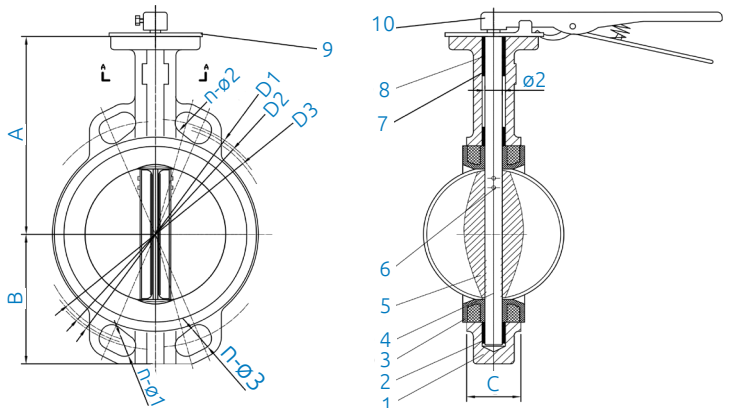
- Design standard: EN 593, BS 5155
- Connection standard: Suitable for EN1092-2
- Face to face standard: EN 558-1 BS 5158
- Top flange standard: ISO5211/1
- Testing standard: EN 12266-1

Dimensions

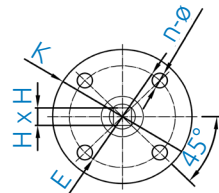
STOCK NO.	SIZE	A	B	C	D	ø2	ISO5211	K	E	4-ØD	HxH	L	OD	ID	WEIGHT (kg)	TORQUE
38935	DN50	140	80	43	52.9	12.6	F07	90	70	4 - 10	11 x 11	14	165	125	3.3	12
38936	DN65	150	89	46	64.5	12.6	F07	90	70	4 - 10	11 x 11	14	185	145	3.8	20
38937	DN80	158	95	46	78.8	12.6	F07	90	70	4 - 10	11 x 11	14	200	160	4.0	30
38938	DN100	176	114	52	104	15.8	F07	90	70	4 - 10	11 x 11	14	220	180	5.2	50
38939	DN125	190	127	56	123.3	18.9	F07	90	70	4 - 10	14 x 14	17	250	210	7.1	77
38940	DN150	212	139	56	155.6	18.9	F07	90	70	4 - 10	14 x 14	17	285	240	8.0	121
38941	DN200	235	174	60	202.5	22.1	F10	125	102	4 - 12	17 x 17	22	340	295	14.0	242
38820	DN250	265	203	68	250.5	28.5	F10	125	102	4 - 12	22 x 22	22	405	355	20.0	352
38827	DN300	305	242	78	301.6	31.6	F10	125	102	4 - 12	22 x 22	22	460	410	29.5	490

Technical Data

- Water butterfly valve
- Lever operation
- Body: ductile iron
- Disc: CF8M
- Stem: SS410
- Seat: WRAS EPDM
- Size: DN300, DN150 (2 1/2" to 10")
- Nominal Pressure: PN 16
- Temp. Range: -20 to +100°C
- Suitable For: Water and neutral liquids



Top Flange



Material Specifications

NO	NAME	MATERIAL
1	Body	Ductile Iron JS1040
2	Disc	Stainless Steel CF8M
3	Stem	Stainless Steel SS410
4	Seat	EPDM