

Flange Ductile Iron Gate Valve

CIV 03



Features and Benefits

- Ductile iron body and bonnet with high strength and impact resistance
- Rubber encapsulated DI wedge to ensure drop tight sealing
- Rubber bonnet gasket for longevity and protection of bonnet bolts
- Stainless steel stem with high strength and corrosion resistance
- Back sealing facility to allow for replacement of seals under full operating pressure
- Straight through full bore to avoid debris traps
- Isolated fasteners for corrosion protection
- Wiper ring to prevent impurities from entering the stem sealing system
- Anti friction thrust washer for low operating torques
- Integral cast foot for safe and easy storage
- Full diameter waterway hand wheel, square cap operation

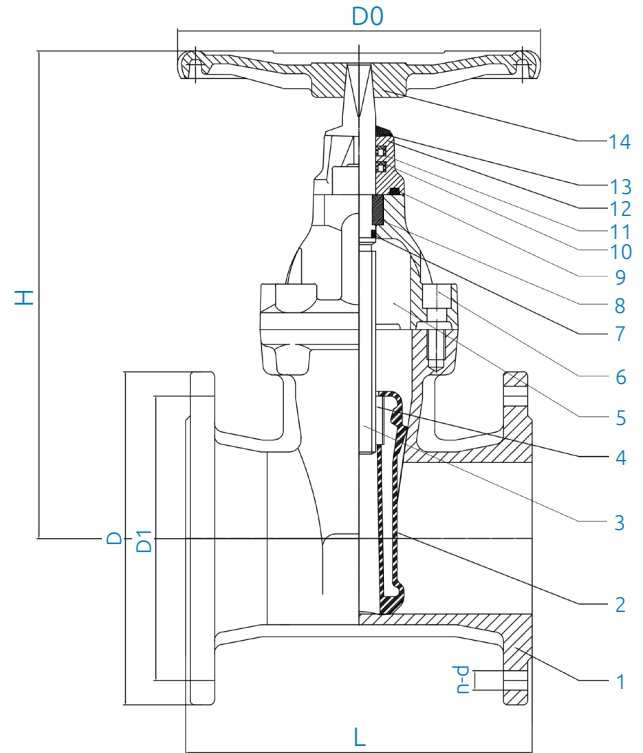
Applicable Standards

- Design standard: BS 5163
- Face to face standard: BS 5163
- Flange standard: BS4504 PN 10/16
- Testing standard EN 12266-1

Technical Data

- Non-rising stem gate valve
- Handwheel operated
- Body: ductile iron
- Gate: ductile iron & WRAS EPDM
- Stem: SS410
- BS5163
- Size: DN65 - 300
- Nominal Pressure: PN 16
- Temp. Range: -10°C to +90°C
- Suitable For: Water and neutral liquids

Technical Data



Material Specifications

NO	NAME	MATERIAL	SPECIFICATION
1	Body	Ductile Iron	GGG50
2	Wedge	GGG50 + NBR GGG50 + EPDM	Ductile Iron + NBR Ductile Iron + EPDM
3	Stem	Stainless Steel	SS410
4	Wedge Nu	Brass	Brass
5	Bonnet	Ductile Iron	GGG50
6	Bolt		
7	O Ring	EPDM / NBR	EPDM / NBR
8	Stem Collar	Brass	Brass
9	Bonnet Gasket	EPDM / NBR	EPDM / NBR
10	V Ring	EPDM / NBR	EPDM / NBR
11	V Ring	EPDM / NBR	EPDM / NBR
12	Top Cap	Ductile Iron	GGG50
13	Dust Shield	EPDM / NBR	EPDM / NBR
14	Hand Wheel	Ductile Iron	GGG50

Flange Ductile Iron Gate Valve cont.



Dimensions

STOCK NO.	SIZE (mm)	L	D0	H	D	D1	D2	n-ø	F	B	HAND WHEEL WEIGHT (kg)	TORQUE
38813	50	178	160	220	165	125	99	4 - 19	3	19	10.5	60
38956	65	190	180	235	185	145	118	4 - 19	3	19	12.5	75
38957	80	203	200	280	200	160	132	8 - 19	3	19	16.0	75
38958	100	229	200	320	220	180	156	8 - 19	3	19	21.0	100
38959	125	254	250	360	250	210	184	8 - 19	3	19	29.0	125
38960	150	267	250	400	285	240	211	8 - 23	3	23	35.0	150
38961	200	292	322	510	340	295	266	12 - 23	3	23	57.0	200
38967	250	330	353	600	405	355	319	12 - 28	3	28	92.0	250
38834	300	356	353	625	460	410	370	12 - 28	4	28	129.0	300