

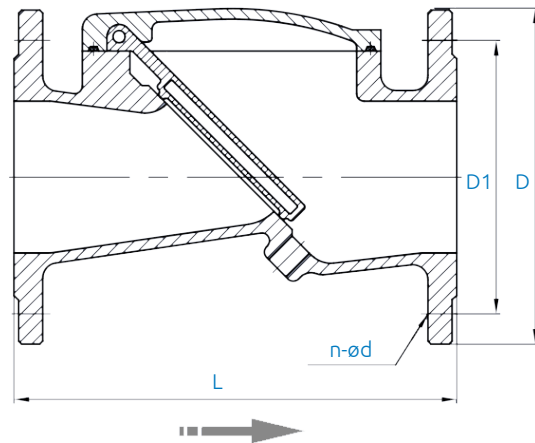
Swing Check Valve

CIV 04



Technical Data

- Size: DN50 - DN300 (2" - 12")
- Nominal pressure: PN 16
- Temperature range: 0°C - 80°C
- Suitable for: Water



Features and Benefits

- Concise design, solid structure
- Flexible EPDM vulcanised on the disc assures positive seating at high and low pressures, as well as a long operating life and an extreme resistance to any kind of corrosion.
- 100% unrestricted flow area for improved flow characteristics and lower head loss.
- 15° sealing angle between the disc and seat ensure low pressure sealing.
- Electrostatically applied Akzo Nobel epoxy powder internally and externally.

Applicable Standards

- Connection standard: BS EN 1092-2
- Pressure test standard: BS EN 12266-2003
- Face to face standard: BS EN558: 2008

Materials Specifications

NO.	COMPONENT	MATERIAL
1	Body	Ductile Iron JS1040
2	Cone	Ductile Iron JS1040
3	Disc	Steel + Nylon + EPDM Vulcanised
4	Sealing Ring	EPDM

Swing Check Valve - CVSF

STOCK NO.	SIZE	DN	L	D	D1	N-ØD	WEIGHT (KG)
38791	2"	50	203	165	125	4-19	11.0
38968	2½"	65	216	185	145	4-19	12.2
38969	3"	80	241	200	160	8-19	15.0
38970	4"	100	292	220	180	8-19	20.0
36371	5"	125	292	250	210	8-19	25.7
36372	6"	150	356	285	240	8-23	39.7
38792	8"	200	495	340	295	8-23	74.0
38793	10"	250	622	405	355	12-28	102.3
38794	12"	300	698	460	410	12-28	149.2