

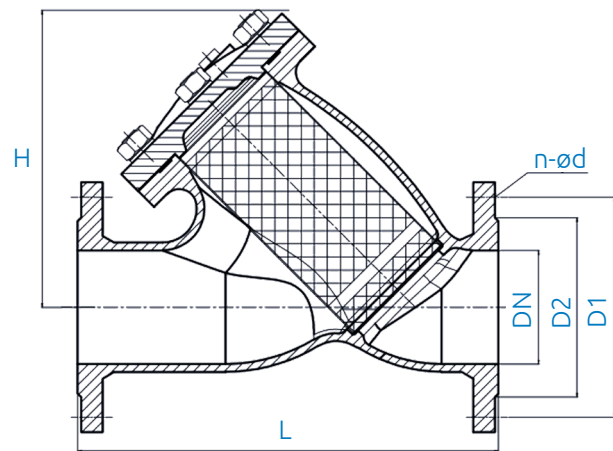
Y Strainer Valve

CIV 05



Technical Data

- Size: DN50 - DN400 (2" - 16")
- Nominal pressure: PN 16
- Temperature range: 0°C - 80°C
- Suitable for: Water



Features and Benefits

- Body and cover are in ductile iron for long product life cycle
- Screen is punched stainless steel plate
- Screen is supported by a leg for DN150 and above, this device protects the screen from potential damage
- Large filter area: lower pressure drop
- Electrostatically applied akzo Nobel epoxy powder internally and externally

Applicable Standards

- Connection standard: BS EN 1092-2
- Pressure test standard: BS EN 12266-2003
- Face to face standard: BS EN558-1 Series 1

Material Certification

- Epoxy powder WRAS Certification NO: 1112500
- Rubber parts WRC-NSF test reports NO: MAT/LAB 550C/1
- Sealing parts test reports NO: CE/2012/20910

Material Specifications

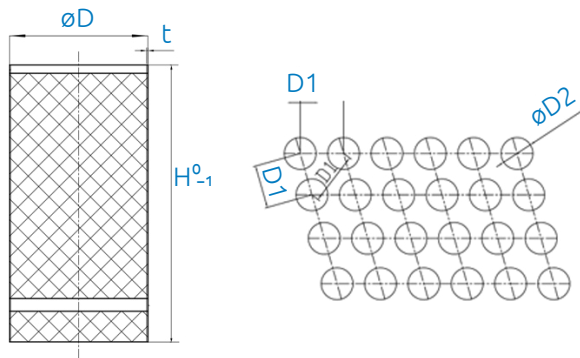
NO	NAME	MATERIAL
1	Body	Ductile Iron EN JS1040
2	Cover	Ductile Iron EN JS1040
3	Screen	304 Stainless Steel BS970
4	Gasket	Rubber EPDM

Y Strainer Dimensions

STOCK NO.	SIZE	DN	L	H	D2	D1	n-ød	Weight (KG)
38796	2"	50	230	140	99	125	4 - 19	10.40
38973	2 ½"	65	290	161	118	145	4 - 19	13.80
38974	3"	80	310	181	132	160	8 - 19	16.60
38975	4"	100	350	210	156	180	8 - 19	23.20
38976	5"	125	400	250	184	210	8 - 19	32.50
38977	6"	150	480	308	211	240	8 - 23	43.90
38797	8"	200	600	406	226	295	12 - 23	66.10
38798	10"	250	730	476	319	355	12 - 28	113.50
38799	12"	300	850	543	370	410	12 - 28	151.50

Y Strainer Valve

CIV 05



Mesh Data

DN	H	øD	t	D1	øD2	Filter Area	Kv (m ³ /h)	Rate
50	109	60	0.8	4	ø2	333%	66.7	2.20
65	139	75	0.8	4	ø2	307%	89.0	3.50
80	159	90	0.8	4	ø2	284%	127.0	4.00
100	189	110	0.8	4	ø2	265%	200.0	3.90
125	223	135	0.8	5	ø3	245%	364.0	2.60
150	262	160	0.8	5	ø3	237%	494.0	3.30
200	330	210	1.2	7	ø5	221%	937.0	2.90
250	401	260	1.2	7	ø5	213%	1137.0	4.80
300	461	310	1.2	7	ø5	207%	1844.0	3.80