

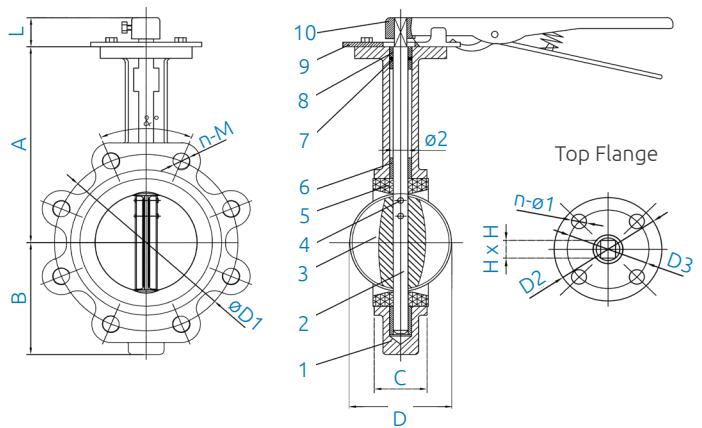
Flange Mount Fully Lugged Ductile Iron Butterfly Valve (Gas)

CIV 07



Technical Data

- Lugged & tapped butterfly valve
- Lever operation
- Body: ductile iron
- Size: DN50 - DN300 (2" to 12")
- Nominal Pressure: PN 16
- Temp. Range: 0 to +80°C
- Suitable For: Gas



Features and Benefits

- Lug pattern design, safety for high pressure application
- O-ring stem sealing, low torque operation
- Streamlined stainless steel disc, low Head loss
- ISO top flange as standard, easy to suit actuators
- Bi-directional shut-off seat
- Eccentric pin on the stem, protects the structure of the stem
- Both gear and lever operated are available

Applicable Standards

- Design standard: EN 593, BS 5155
- Connection standard: Suitable for EN1092-2
- Face to face standard: EN 558-1 BS 5155
- Top flange standard: ISO5211/1
- Testing standard: EN 12266-1

Dimensions

STOCK NO.	SIZE	A	B	C	D	ø2	ISO5211	D2	D3	n-ø1	HxH	L	n-M	D1	WEIGHT (kg)	TORQUE
39004	DN50	140	80	43	52.9	12.6	F07	90	70	4 - 10	11 x 11	14	4 - M16	125	4.5	12
38950	DN65	150	89	46	64.5	12.6	F07	90	70	4 - 10	11 x 11	14	4 - M16	145	4.8	20
38951	DN80	158	95	46	78.8	12.6	F07	90	70	4 - 10	11 x 11	14	8 - M16	160	5.6	30
38952	DN100	176	114	52	104.0	15.8	F07	90	70	4 - 10	11 x 11	14	8 - M16	180	7.7	50
38953	DN125	190	127	56	123.3	18.9	F07	90	70	4 - 10	14 x 14	17	8 - M16	210	9.6	77
38954	DN150	212	139	56	155.6	18.9	F07	90	70	4 - 10	14 x 14	17	8 - M20	240	10.7	121
38955	DN200	235	174	60	202.5	22.1	F10	125	102	4 - 12	17 x 17	22	12 - M24	295	17.5	242
38869	DN250	265	203	68	250.5	28.5	F10	125	102	4 - 12	22 x 22	22	12 - M24	355	28.3	352
38876	DN300	305	242	78	301.6	31.6	F10	125	102	4 - 12	22 x 22	22	12 - M24	410	41.0	490

Material Specifications

NO	NAME	MATERIAL
1	Body	Ductile Iron JS1040
2	Stem	Stainless Steel SS410
3	Disc	Stainless Steel CF8M
4	Taper Pin	Stainless Steel SS316
5	Liner (Seat)	NBR
6	Long Bushing	FRP
7	O-Ring	NBR
8	Short Bushing	FRP
9	Indicator	Carbon Steel
10	Lever	Malleable Iron