

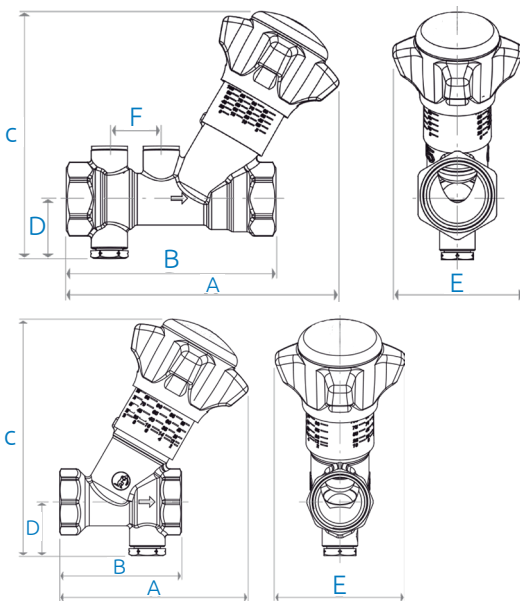
DZR Brass Venturi Commissioning Valve Set COM 04



Features and Benefits

- Drain connection 1/4" F - ISO 228
- Sensor holder for needle Ø3mm and length 30-40mm
- Closing function
- Presetting possibility
- Venturi flowmeter for flow rate measurement by means of pressure probes

Dimensions

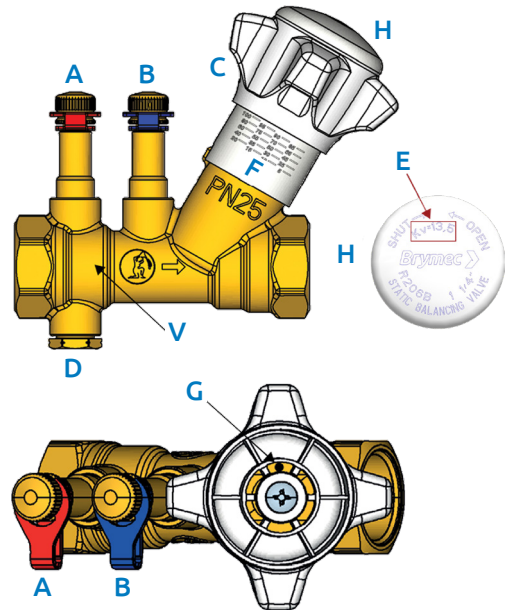


Technical Data

- Temp. Range: 5°C to 110 °C
- Max. Working Pressure: 25 bar (2500 kPa)

Components & Materials Specification

- Handwheel: ABS, white colour
- Body: dezincification resistant brass DZR (EN 12165 - CW602N)



ITEM	DESCRIPTION
A	High pressure probe
B	Low pressure probe
C	Handwheel
D	Drain 1/4" F
E	Kv of the Venturi flow meter
F	Scale for 0-100% setting (20 positions)
G	Presetting screw (limiting the stroke)
H	Removable head (for presetting) with imprinted the Venturi Kv
V	Venturi flow meter

STOCK NO.	CONNECTIONS	A (mm)	B (mm)	C (mm)	D (mm)	E (mm)	F (mm)	Kv	Kv Venturi
38897	1/2 LF	93	54	117	24	64	-	2.1	*
38891	1/2"	131	95	119	25	64	25	2.7	4.0
38892	3/4"	131	101	118	28	64	25	5.5	7.5
38893	1"	131	110	122	32	64	25	7.0	11.0
38894	1 1/4"	137	120	129	35	64	25	9.5	13.5
38895	1 1/2"	163	140	166	39	64	25	18.8	24
38896	2"	169	154	172	45	70	25	25.5	31

* 1/2" LF close coupled to fixed orifice plate. Request metering station datasheet for details