

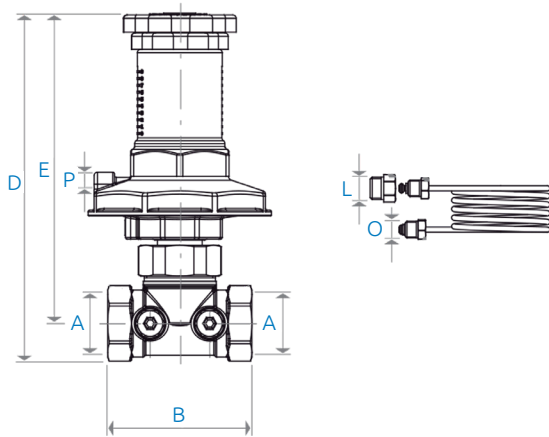
Differential Pressure Control Valve

COM 07



Features & Benefits

- Maintains constant differential pressure with any flow
- Low (L) & high (H) differential pressure ranges as standard
- L mode = 5 - 30 kPa and H mode = 25 - 60 kPa
- Factory set to minimum
- Supplied with 1m capillary for connection to Partner valve
- Return mounted
- Can be installed in horizontal or vertical pipework
- DZR, EPDM wetted parts



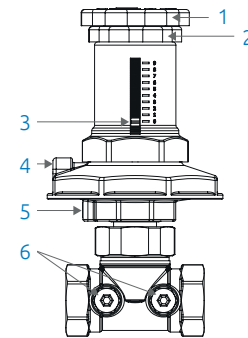
Technical Data

- Compatible Fluids: Water, glycol-based solutions (max. 50% of glycol)
- Temp. Range: 5 - 110 °C (-20 - 110 °C with anti-freezing glycol)
- Max. Working Pressure: 16 bar
- Max. Differential Pressure: 6 bar
- Setting of Differential Pressure Range: "L" setting = 5 - 30 kPa; "H" setting = 25 - 60 kPa
- Connections for pressure outlets: 1/4" F (Rp - EN 10226)
- Connections for copper capillary: 1/8" F (Rp - EN 10226)

Materials

- Body and internal components: brass EN12165 - CW602N (DZR)
- Other components not in contact with water: brass EN12165 - CW617N
- Membrane: EPDM with nylon reinforcement
- O-Ring: EPDM
- Springs: galvanized steel
- Plastic components: PA 6 GF15 and POM
- Capillary pipe: copper

Main Components



| NO | DESCRIPTION |
|----|----------------------------------|
| 1 | Adjustment knob |
| 2 | Knob-removing ring nut |
| 3 | Indicator ring with graded scale |
| 4 | Connection to capillary pipe |
| 5 | Air-purging screw |
| 6 | Pressure outlets |

Versions and Products Codes

| STOCK NO | A | B | D | E | F | L | O | P | Kv |
|----------|----------|-----|-----|-----|-----|----------|----------|-----------|-------|
| 36548 | 1/2" F | 65 | 185 | 170 | 108 | R 1/4" M | R 1/8" M | Rp 1/8" F | 2.24 |
| 36550 | 3/4" F | 75 | 188 | 170 | 108 | R 1/4" M | R 1/8" M | Rp 1/8" F | 3.49 |
| 36554 | 1" F | 85 | 202 | 181 | 108 | R 1/4" M | R 1/8" M | Rp 1/8" F | 5.92 |
| 36555 | 1 1/4" F | 95 | 208 | 181 | 108 | R 1/4" M | R 1/8" M | Rp 1/8" F | 6.95 |
| 36556 | 1 1/2" F | 100 | 220 | 192 | 108 | R 1/4" M | R 1/8" M | Rp 1/8" F | 11.72 |
| 36558 | 2" F | 130 | 227 | 192 | 108 | R 1/4" M | R 1/8" M | Rp 1/8" F | 12.97 |