

# Thermal Balancing Valve

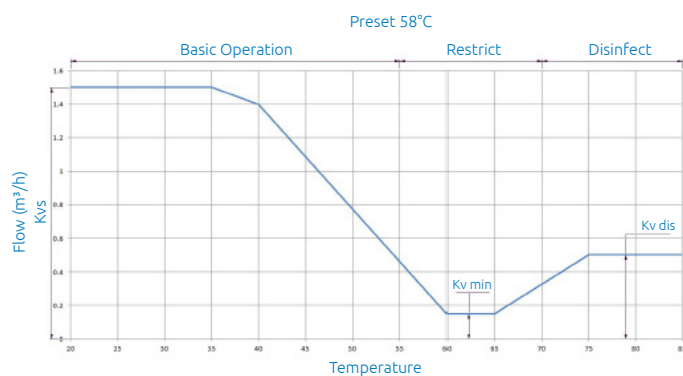
## COM 11



### Features and Benefits

- Thermal balancing with flow regulation via hot water temperature
- Easy temperature adjustment between 40 - 65°C and temperature proof cap
- Built-in disinfection function to protect against legionella
- Dry-fit thermometer - no need to drain
- Pre-insulated, saving time and cost

### Flow Rates



Kv min = 0.15<sup>3</sup>/h min. flow

kv dis = 0.5m<sup>3</sup>/h max. flow of the disinfection > 70°C

### Technical Data

- Temp. Set Range: 40°C to 65°C
- Factory Pre-set Temp: 58°C
- Temp. Range for Thermal Disinfection: >70°C
- Max. Working Pressure: 10bar
- Accuracy +/- 2°C

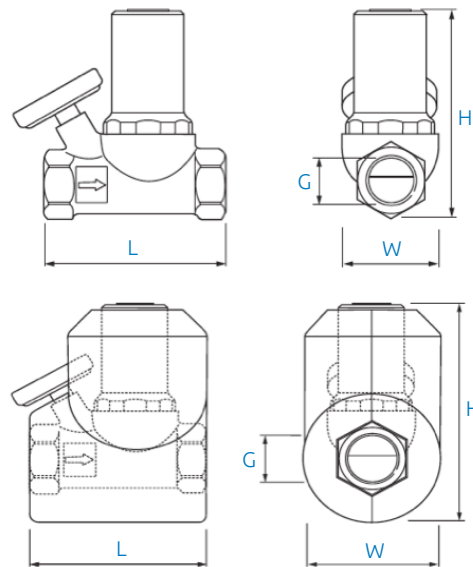
### Applicable Standards

- WRAS approved

### Material Specifications

- Body: DZR Brass
- Seals: Viton
- Spring: Stainless Steel
- Insulation: Polyethylene

### Dimensions



STOCK NO	L	W	H	G
30961 (With Insulation)	87mm	48mm	98mm	1/2"
30961	75mm	36mm	86mm	1/2"
30960 (With Insulation)	92mm	48mm	102mm	3/4"
30960	80mm	36mm	90mm	3/4"