

# Copper Gas Press - MxF 45° Elbows



## Technical Data

- Max Working Pressure 5 Bar (External) / 1 Bar (Internal) @ 70°C
- "M" profile press jaws or slings
- Approved tools include Novapress, REMS, Rothenberger and Ridgid
- Suitable for above ground 2nd and 3rd family gases to EN437

## Applicable Standards

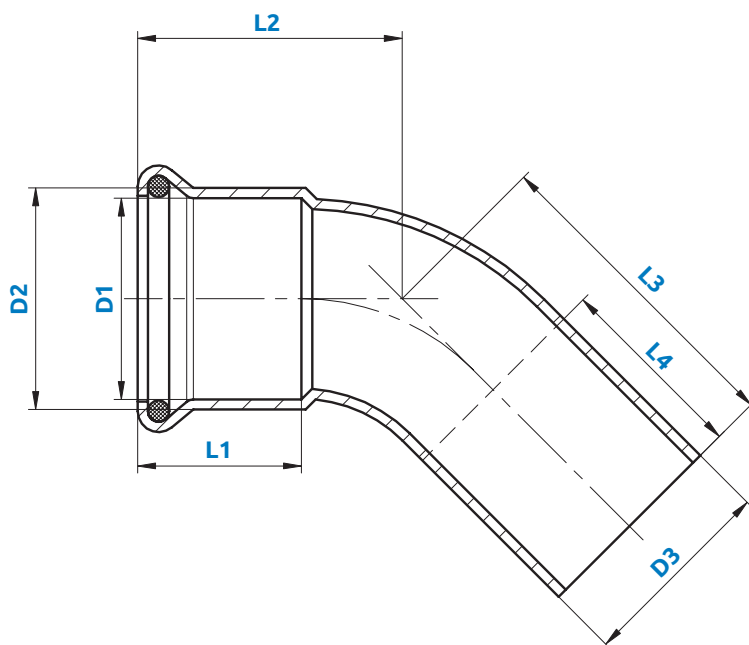
- For use with type TX copper tubing conformant to EN 1057

## Features and Benefits

- Durable and secure leak proof joint
- Braze free, permanent joint - no hot works required
- Huge time and resource savings
- 25 Year warranty
- Yellow plastic film which will fall off when crimped for easy identification of pressed joint
- 2 point press
- Dust covers keep O-ring clean prior to assembly

## Material Specifications

No.	Description	Materials
1	Body	Cu-DHP (CW024A)
2	Crimp indicator film	PVC, Ochre Yellow
3	O-Ring	HNBR
4	Dust Cap	PE



## Product Codes and Dimensions

STOCK NO.	D1	D2	D3	L1	L2	L3	L4
29618	15	18	15	18	26	37	23
29619	22	25	22	19	32	44	23
29620	28	31	28	21	37	28	23
29621	35	38	35	24	40	49	29
29622	42	45	42	28	47	57	33
29623	54	57	54	33	57	68	38
29624	67	72	67	47	86	100	53
29625	76	81	76	47	92	105	55
29626	108	114	108	64	127	134	72