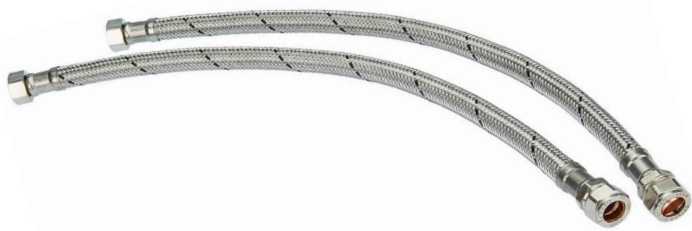


Standard Flexible Tap Connector

FCO 01



Features and Benefits

- Stainless steel over braided
- EPDM rubber tube with nickel plated brass fittings.

Applicable Standards

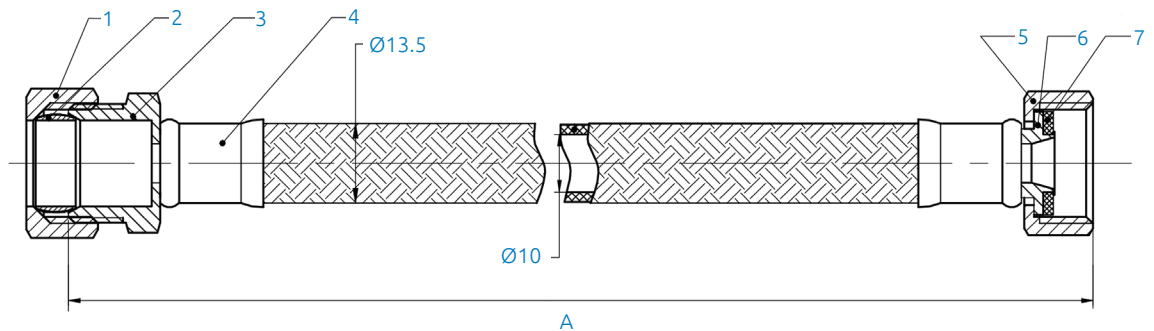
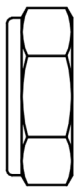
- End standard: BS EN 1254-2
- Design standard: EN13618

Technical Data

- Operating Temperature range: 0 to 100°C
- Maximum operating pressure: 16PN
- Field of application: water

Materials Specifications

NO.	COMPONENT	QTY	MATERIAL
1	Compression Nut	1	HPb59 - T Nickel Plated
2	Olive	1	H62
3	Male Threaded Adaptor	1	HPb59 - T Nickel Plated
4	Stainless Steel Sleeve	2	SS304
5	Flat Nut	1	HPb59 - T Nickel Plated
6	Brass Core	1	HPb59 - T
7	Washer	1	EPDM



Dimensions

STOCK NO.	SIZE	BORE	A (LENGTH)
30914	15mm x 1/2"	Standard	30cm
30925	15mm x 1/2"	Standard	30cm
30913	15mm x 1/2"	Full bore	30cm
30909	15mm x 1/2"	Standard	50cm
30904	15mm x 1/2"	Full bore	50cm
30917	15mm x 3/4"	standard	30cm
30927	15mm x 3/4"	Full bore	30cm
30911	15mm x 3/4"	Standard	50cm
30918	22mm x 1/2"	Standard	30cm
30928	22mm x 3/4"	Standard	30cm
30942	22mm x 3/4"	Standard	50cm
30903	22mm x 3/4"	Full bore	50cm