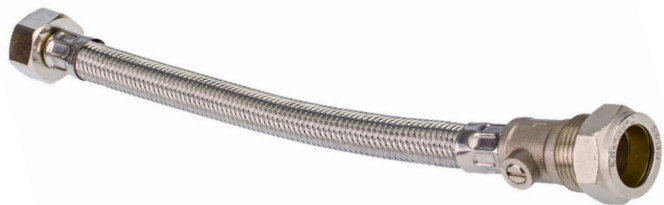


Flexible Tap Connector With Isolating Valve

FCO 02



Technical Data

- Maximum operating temperature: 85°C
- Maximum operating pressure: 10 bar



Features and Benefits

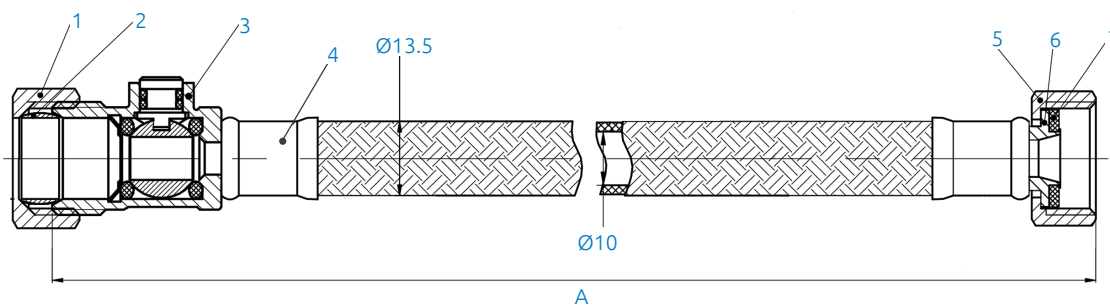
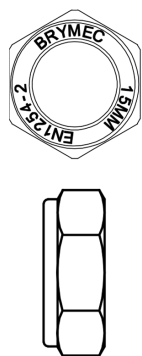
- Stainless steel over braided
- EPDM rubber tube with nickel plated brass fittings.

Applicable Standards

- End standard: BS EN 1254-2

Materials Specifications

NO.	COMPONENT	QTY	MATERIAL
1	Compression Nut	1	HPb59 - T Nickel Plated
2	Olive	1	H62
3	15mm Isolating Valve	1	CW617N Nickel Plated
4	Stainless Steel Sleeve	2	SS304
5	Flat Nut	1	HPb59 - T Nickel Plated
6	Brass Core	1	CW617N
7	Washer	1	EPDM



Dimensions

STOCK NO.	SIZE	BORE	A (LENGTH)
30924	15mm x 1/2"	standard	30cm
30921	22mm x 3/4"	standard	30cm