

Combination Boiler Filling Loop

FCO 05



Technical Data

- Operating temperature range: 0 to 100°C
- Maximum operating pressure: PN16
- Field of application: water

Materials Specifications

NO.	COMPONENT	QTY	MATERIAL
1	Compression Nut	2	Nickel Plated
2	Olive	2	
3	15mm Isolating Valve	1	Nickel Plated
4	½" Butterfly Nut	2	Nickel Plated
5	O-Ring	2	
6	Adaptor	2	
7	Stainless Steel Sleeve	2	
8	15mm Double Check Valve	1	Nickel Plated

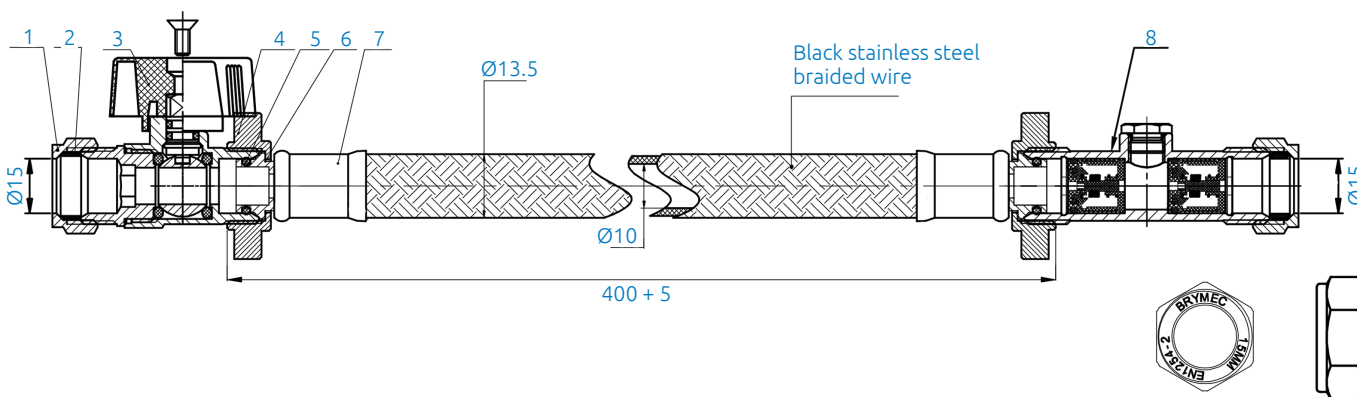


Features and Benefits

- Stainless steel over braided
- EPDM rubber tube with nickel plated brass fittings.

Applicable Standards

- Design standard: EN 13618
- Connection standard: EN 2543-2



Dimensions

STOCK NO.	DESCRIPTION	WRAS
30905	Straight	Yes
30906	Straight c/w cap handle	Yes
30907	Tee	No
30908	Replacement cap	No