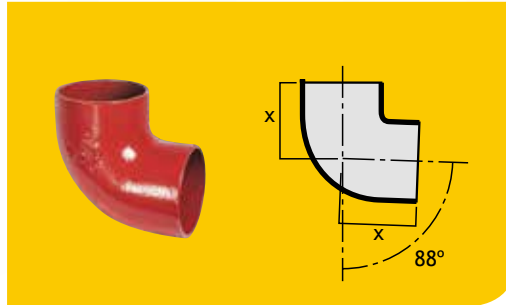


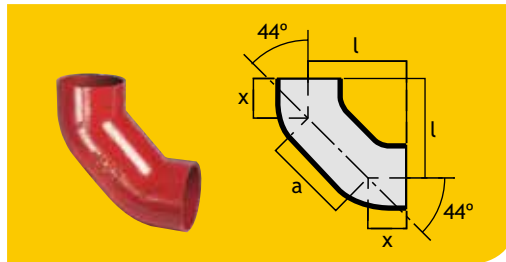


Single Bends 88°



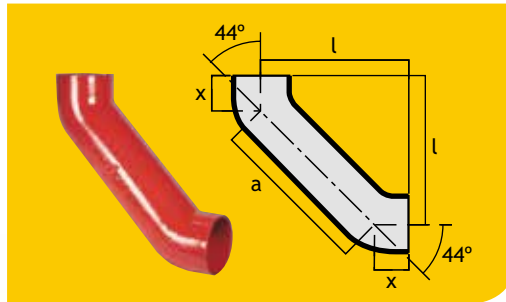
Pipe Dia (mm)	x (mm)	Nom Weight (kg)	Product Code
50	75	0.7	661054
70	90	1.1	661114
100	110	2.1	661174
125	125	3.2	661234
150	145	5.2	661294
200	175	8.8	662784
250	225	15.5	233621
300	260	25.5	233622

Short Double Bends 88°



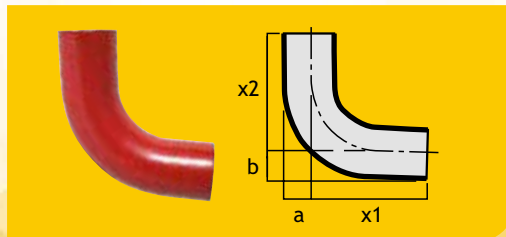
Pipe Dia (mm)	x (mm)	l (mm)	a (mm)	Nom Weight (kg)	Product Code
50	50	121	100	1.2	661484
70	60	145	120	1.8	661494
100	70	170	140	3.2	661504
125	80	195	160	4.6	661514
150	90	219	180	7.0	661524

Long Double Bends 88°



Pipe Dia (mm)	x (mm)	l (mm)	a (mm)	Nom Weight (kg)	Product Code
70	60	273	300	3.2	662734
100	70	291	312	4.8	662744
125	80	308	321	6.8	662754
150	90	325	333	9.6	662764

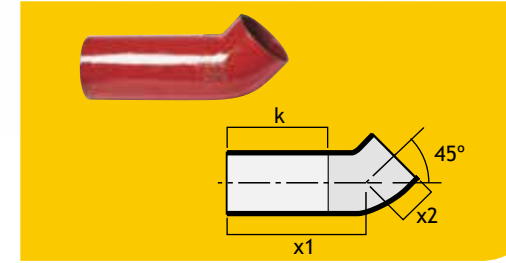
Long and Medium Radius Bends 88°



Pipe Dia (mm)	x1 (mm)	a (mm)	x2 (mm)	b (mm)	Nom Weight (kg)	Product Code
100*	230	55	230	55	5.1	235125
150**	245	80	245	80	7.8	235126

*Long radius bend **Medium radius bend
(The radius in both cases is 150mm)

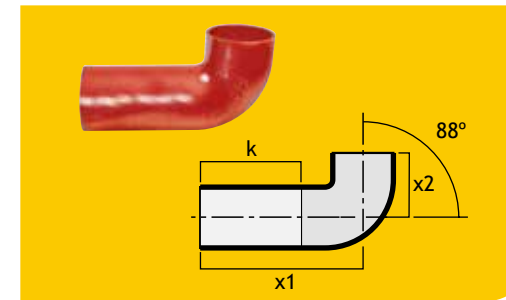
Bends with Long Tails 45°



Pipe Dia (mm)	Angle°	x1 (mm)	x2 (mm)	k (mm)	Nom Weight (kg)	Product Code
70	45	250	60	190	2.6	662054
100	45	250	70	180	4.2	662074

k = dimension for maximum cut back

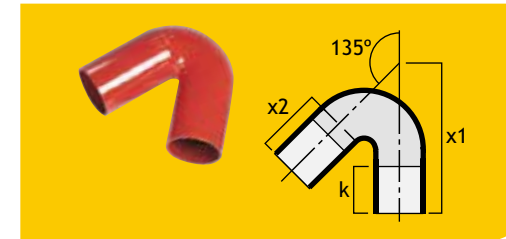
Bends with Long Tails 88°



Pipe Dia (mm)	Angle°	x1 (mm)	x2 (mm)	k (mm)	Nom Weight (kg)	Product Code
70	88	250	90	160	2.8	662064
100	88	250	110	140	3.5	662084

k = dimension for maximum cut back

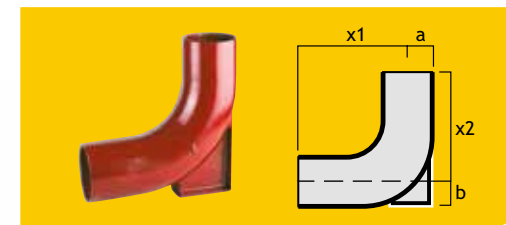
Bend with Long Tails 135°



Pipe Dia (mm)	Angle°	x1 (mm)	x2 (mm)	k (mm)	Nom Weight (kg)	Product Code
100	135	312	150	100	5.0	662774

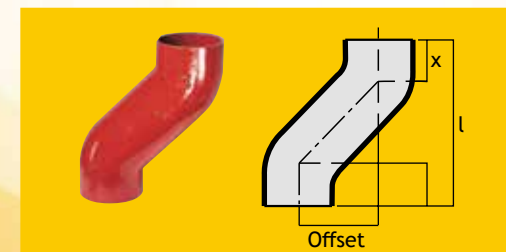
k = dimension for maximum cut back

Rest Bend



Pipe Dia (mm)	x1 (mm)	a (mm)	x2 (mm)	b (mm)	Nom Weight (kg)	Product Code
100	250	55	230	70	5.7	100263

Offsets



Pipe Dia (mm)	Offset	x (mm)	l (mm)	Nom Weight (kg)	Product Code
100	65	70	205	2.5	662864
100	130	70	270	3.4	662874
100	200	70	340	4.4	662884