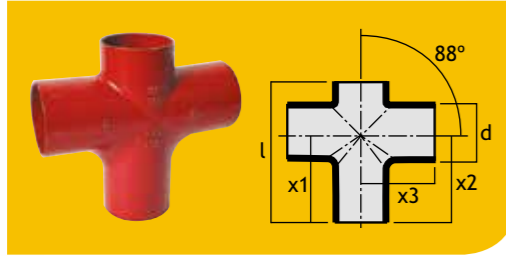




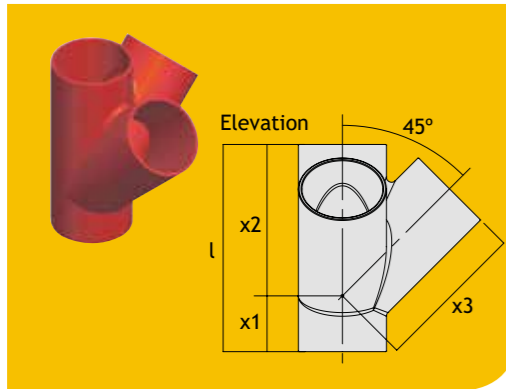
Swept Double Branches 88°



Pipe Dia (mm)	d (mm)	x1 (mm)	x2 (mm)	x3 (mm)	l (mm)	Nom Wt (kg)	Product Code
100	100	165	165	152	270	4.8	100264

d = connecting branch dia

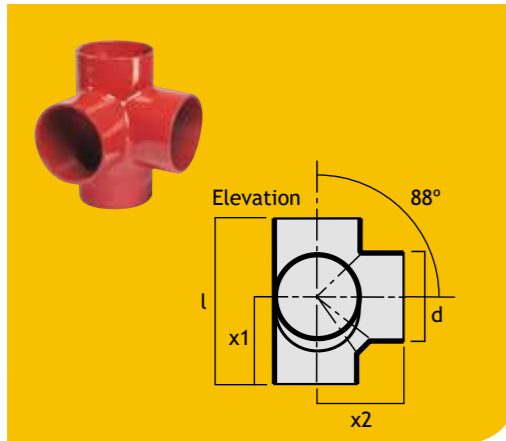
Corner Branches 45°



Pipe Dia (mm)	d (mm)	x1 (mm)	x2 (mm)	x3 (mm)	l (mm)	Nom Weight (kg)	Product Code
100	100	70	190	190	260	4.5	239702

d = connecting branch dia

Corner Branches 88°

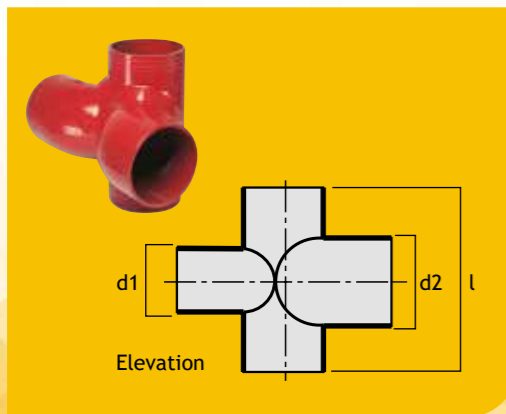


Pipe Dia (mm)	d (mm)	x1 (mm)	x2 (mm)	l (mm)	Nom Weight (kg)	Product Code
100	70	102	110	190	2.7	662044
100	100	115	115	220	3.4	662034*
125	100	125	130	235	4.6	662014
150	100	130	145	245	4.9	664434

d = connecting branch dia

\* Product code 662034 is available with a 250mm long spigot. When this is required specify code 664464.

Combination Branches

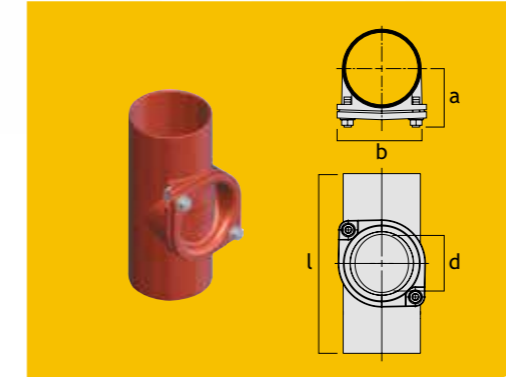


Pipe Dia (mm)	d1 (mm)	d2 (mm)	l (mm)	Nom Weight (kg)	Product Code
100	70	100	230	4.0	665834
100	100	100	230	5.0	665924

d = connecting branch dia

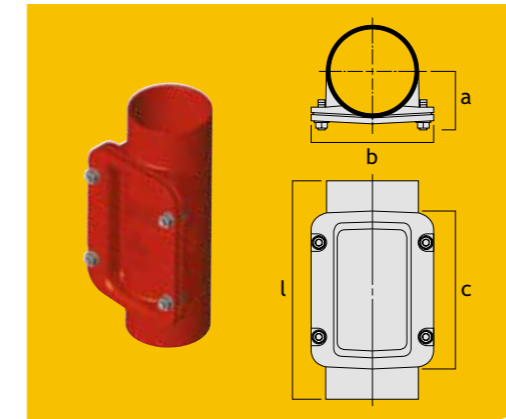


Round Access Pipes



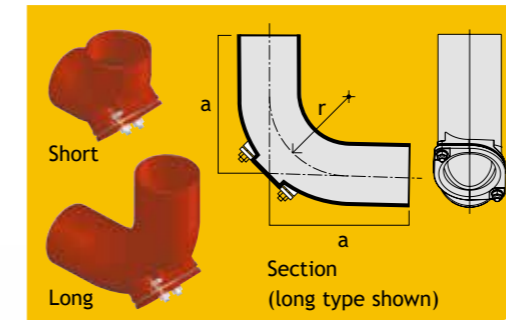
Pipe Dia (mm)	a (mm)	b (mm)	d (mm)	l (mm)	Access	Nom Wt (kg)	Product Code
50	58	90	53	190	4	1.8	669580
70	71	105	73	210	4	2.3	669583
100	82	125	104	260	4	3.8	669586

Rectangular Access Pipes



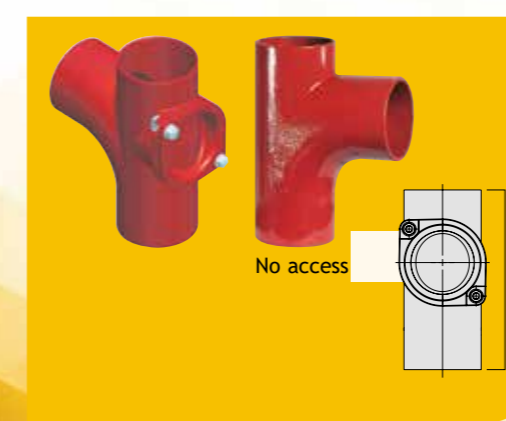
Pipe Dia (mm)	a (mm)	b (mm)	c (mm)	l (mm)	Access	Nom Wt (kg)	Product Code
100	82	160	230	340	4	6.0	669624
125	99	190	255	370	4	8.3	669627
150	112	215	280	395	4	12.0	669630
200	136	265	330	465	4	19.0	669633
250	165	330	383	540	4	31.0	669612
300	195	380	430	610	4	47.0	669615

Long and Short Access Bends 88°



Pipe Dia (mm)	Type	a (mm)	r (mm)	Access	Nom Weight (kg)	Product Code
100	Short	110	—	4	3.3	661174A
150	Short	145	—	4	6.1	23274
100	Long	230	150	4	6.2	661174AL

Swept Entry Branches 88° – With and Without Access



Pipe Dia (mm)	a (mm)	b (mm)	c (mm)	d (mm)	l (mm)	Access	Nom Wt (kg)	Product Code
100	168	102	150	100	270	6	4.2	6631745
100	168	102	150	100	270	4	4.5	6631745A
150	183	117	202	100	300	6	12.5	235684