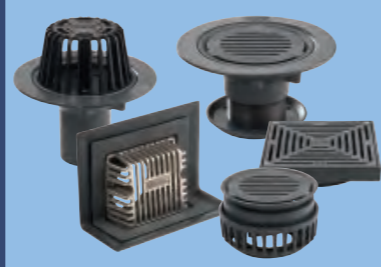
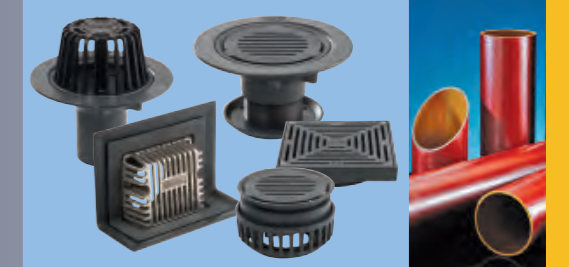


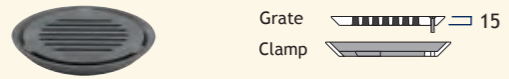

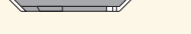
# Cast Iron Grates, Extension Pieces & Threaded Spigot Adaptors





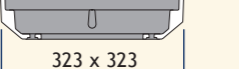
# Cast Iron Roof Outlets - Application Details




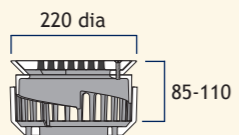
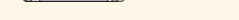
## Round Flat Grate

	Grate	 15	<b>Circular Grate Material</b>	<b>Flow Rate<sup>1</sup> (l/s)</b>	<b>Load Rating (tonne)</b>	<b>Weight (kg)</b>	<b>Suffix</b>
	Clamp			Sherardized Ductile Iron	6.30*	1.5	1.3
*For 50 and 75mm outlets maximum pipe capacity to BS EN 12056 applies.							

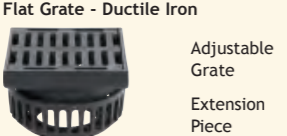
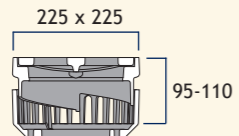

## Square Flat Grate

	Grate	 25	<b>Square Grate Material</b>	<b>Flow Rate<sup>1</sup> (l/s)</b>	<b>Load Rating (tonne)</b>	<b>Weight (kg)</b>	<b>Suffix</b>
	Clamp			Sherardized Ductile Iron	14.56*	12.5	10.5
*For 100mm outlet size, maximum pipe capacity to BS EN 12056 applies.							


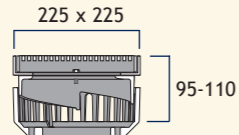
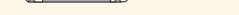
## Adjustable Round Flat Grate with Extension Piece

	Flat Grate	 220 dia 85-110	<b>Circular Grate Material</b>	<b>Flow Rate<sup>1</sup> (l/s)</b>	<b>Load Rating (tonne)</b>	<b>Weight (kg)</b>	<b>Suffix</b>
	Adjustable Grate Extension Piece			Sherardized Ductile Iron	6.30*	1.5	5.5
*For 50 and 75mm outlets maximum pipe capacity to BS EN 12056 applies.							

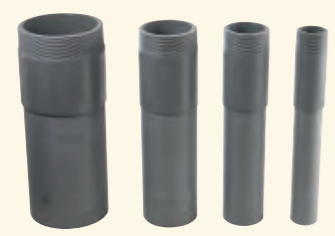
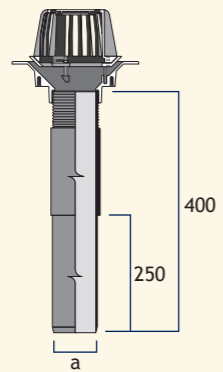
## Adjustable Square Flat Grate with Extension Piece

	Square Flat Grate - Ductile Iron	 225 x 225 95-110	<b>Square Grate Material</b>	<b>Flow Rate<sup>1</sup> (l/s)</b>	<b>Load Rating (tonne)</b>	<b>Weight (kg)</b>	<b>Suffix</b>
	Adjustable Grate Extension Piece			Sherardized Ductile Iron	6.30*	12.5	9.7
*For 50 and 75mm outlets maximum pipe capacity to BS EN 12056 applies.							

## Adjustable Square Flat Grate - Stainless Steel with Extension Piece

	Square Flat Grate - Stainless Steel	 225 x 225 95-110	<b>Square Grate Material</b>	<b>Flow Rate<sup>1</sup> (l/s)</b>	<b>Load Rating (tonne)</b>	<b>Weight (kg)</b>	<b>Suffix</b>
	Adjustable Grate Extension Piece			Stainless Steel (5mm aperture)	6.30*	12.5	7.8
*For 50 and 75mm outlets maximum pipe capacity to BS EN 12056 applies.							

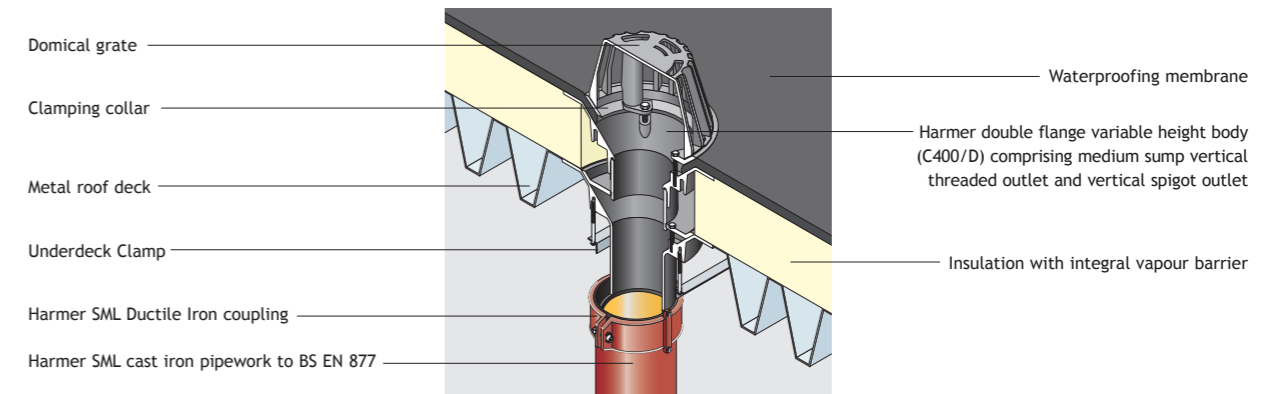
## Threaded Spigot Adaptors

 <p>Threaded Spigot Adaptors 2ADP, 3ADP, 4ADP and 6ADP Longer lengths are available on request</p>	 400 250 a	<b>Nominal bore (mm)</b>	<b>a (mm)</b>	<b>Weight (kg)</b>	<b>Product Code</b>
		50	60	0.4	2ADP
		75	83	0.6	3ADP
		100	110	1.2	4ADP
		150	160	2.0	6ADP

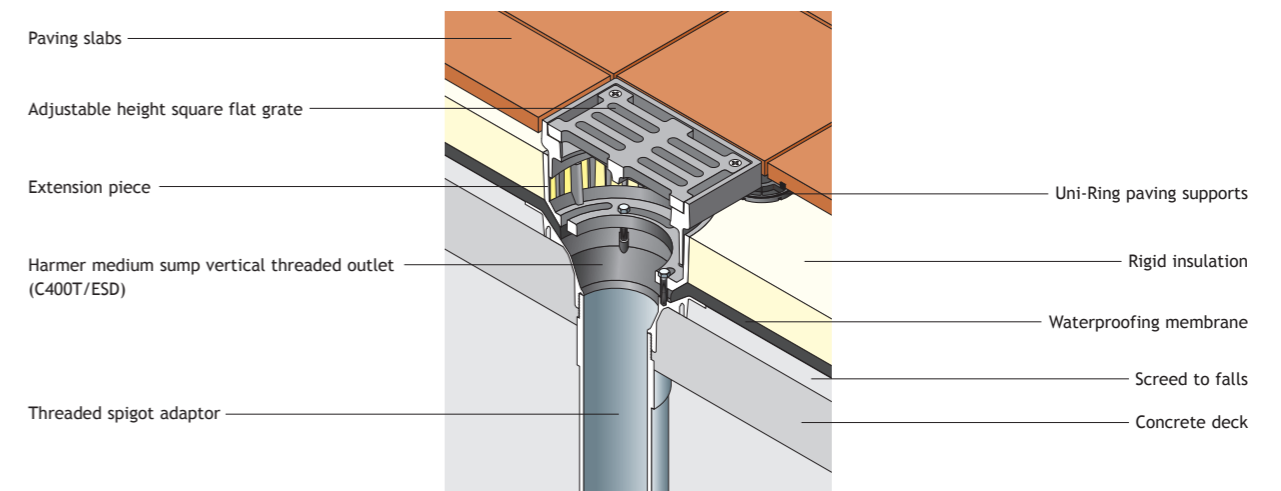
## Typical Application Details

Please refer to Harmer Roof Outlets technical literature for detailed information.

### Harmer Medium Sump Vertical Spigot Double Flanged Outlet in Warm Roof Metal Deck Construction



### Harmer Medium Sump Vertical Threaded Outlet with Square Grate in Inverted Roof Concrete Deck Construction



### Harmer Two-Way Outlet in Warm Roof Concrete Deck Construction

