

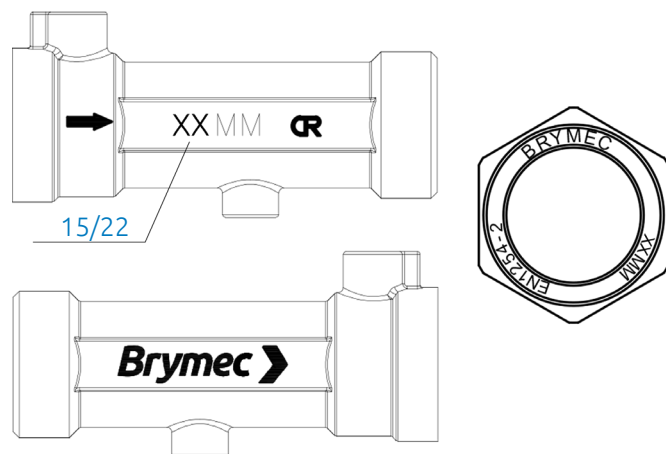
# Dual Double Check & Isolating Valve

## ISO 02



### Features & Benefits

- Combined Double Check & Isolation Valve
- Space saving with reduced connections
- Non-shock, use only fully opened or closed

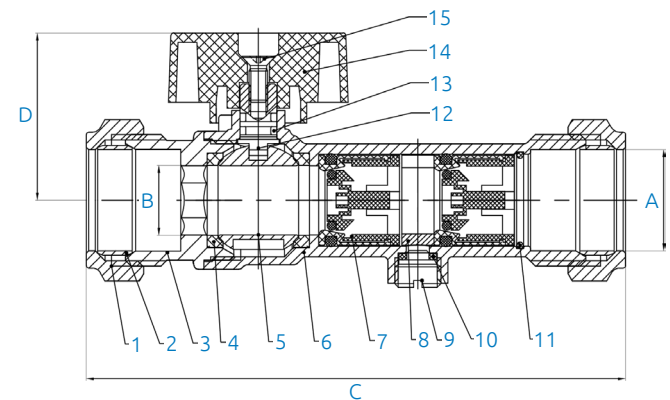


### Technical Data

- Fields of Applications: Water
- Max. Working Pressure: PN16
- Operating Temp. Range: -10 to + 85°C

### Applicable Standards

- Compression connections comply with: EN1254-2
- WRAS Approved



### Versions & Product Codes

STOCK NO.	WRAS	DN	A	B	C	D
30882	Yes	15	15	10	101	32.7
30889	No	22	22	15	115	39

### Material Specifications

NO	NAME	MATERIAL	QUANTITY	
1	Compression nut	HPb59- T	2	NP
2	Olive	T2 copper	2	-
3	Bonnet	CW602N	1	NP
4	Seat	PTFE	1	-
5	Ball	HPb59- T	1	CP
6	Body	CW602N	1	NP
7	Non-Return Core	POM	2	-
8	O-ring	NBR	1	-
9	Screw	Q235	1	-
10	Catch Spring	SS304	1	-
11	Plastic Ring	Nylon	1	-
12	O-ring	NBR	2	-
13	Stem	HPb59- T	1	NP
14	Handle	Nylon	1	-
15	Screw	Q235	1	-