

# Compression Isolating Angled Service Valve ISO 07



## Technical Data

- Fields of Applications: Water
- Max. Working Pressure: PN10
- Operating Temp. Range: -10 to + 85°C

## Applicable Standards

- Compression connections comply with: EN1254-2
- Valves are manufactured to BS6675
- Female thread connections are to ISO228
- WRAS Approved

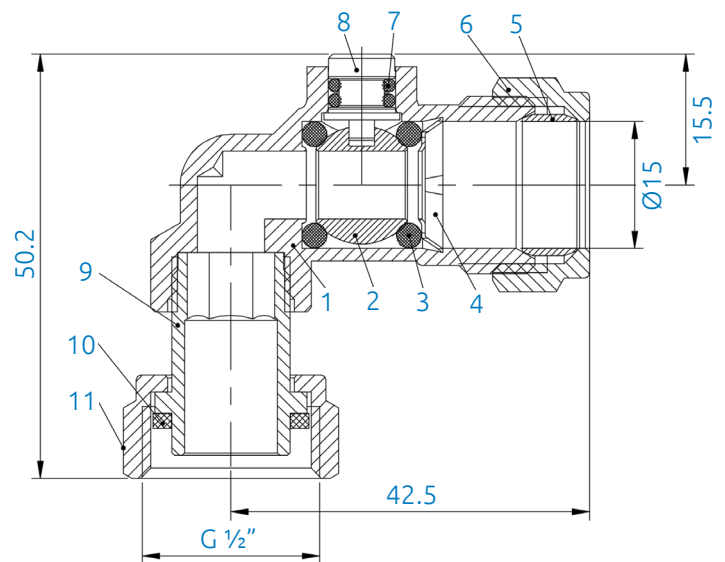


## Features & Benefits

- Angled chrome isolating service valve
- Angled pattern reducing space, connections and leak paths
- Suitable for hot and cold water
- Non-shock, use only fully opened or closed

## Versions & Product Codes

STOCK NO.	DN
36377	15mm x 1/2"



## Material Specifications

NO	NAME	MATERIAL	QUANTITY
1	Body	HPb59- T	1
2	Ball	HPb59- T	1
3	O-Ring	NBR	2
4	Circlip	SUS304	1
5	Olive	T2 Copper	1
6	Compression Nut	HPb59- T	1
7	O-Ring	EPDM	2
8	Stem	HPb59- T	1
9	Connecting Pipe	HPb59- T	1
10	Washer	Red Paper	1
11	Connecting Nut	HPb59- T	1