

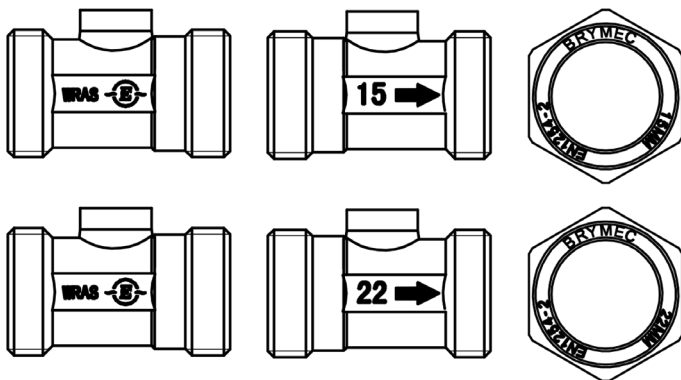
Isolating Ball Valve

ISO 04



Features & Benefits

- Chrome isolating valve with compression ends
- WRAS approved
- Non-shock, use only fully opened or closed

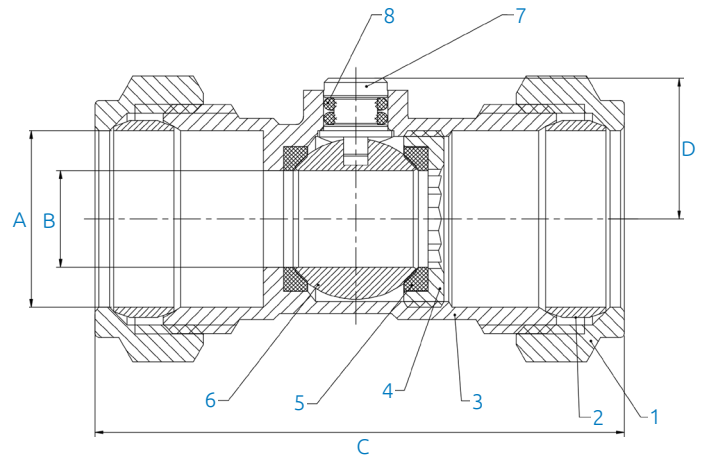


Technical Data

- Fields of Applications: Water
- Max. Working Pressure: PN16
- Operating Temp. Range: -10 to + 85°C

Applicable Standards

- Compression connections comply with: EN1254-2
- Valves are manufactured to BS6675
- WRAS Approved



Versions & Product Codes

STOCK NO.	DN	A	B	C	D
36372	15	15	8	51.6	15.5
36373	22	22	12	66	18

Material Specifications

NO	NAME	MATERIAL	QUANTITY
1	Compression Nut	HPb59- T	2
2	Olive	T2 Copper	2
3	Body	HPb59- T	1
4	Catch Spring	SUS304	1
5	O-Ring	NBR	2
6	Ball	HPb59- T	1
7	Stem	HPb59- T	1
8	O-Ring	EPDM	2