

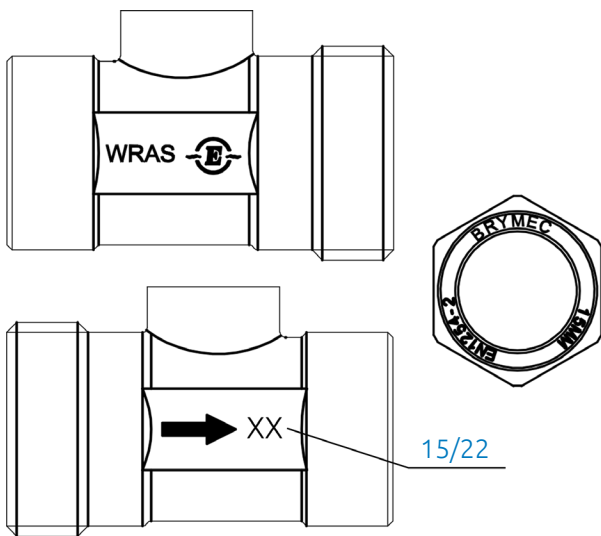
# Straight Service Valve

## ISO 06



### Features & Benefits

- Straight chrome service valve
- ¼ turn screwdriver operation
- WRAS approved



### Versions & Product Codes

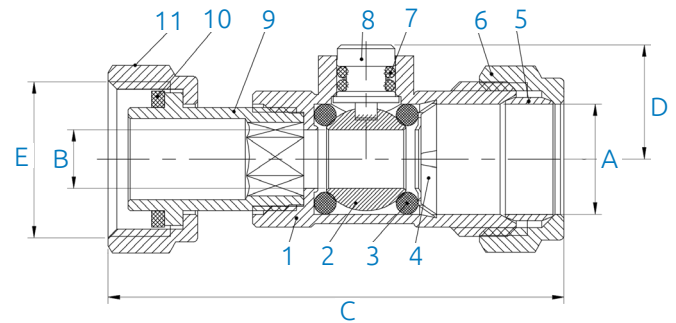
STOCK NO.	DN	A	B	C	D	E
36375	15	15	8	62.2	15.5	½"
30863	22	22	12	71	17.5	¾"

### Technical Data

- Fields of Applications: Water
- Max. Working Pressure: PN10
- Operating Temp. Range: -10 to + 85°C

### Applicable Standards

- Compression connections comply with: EN1254-2
- Valves are manufactured to BS6675
- Female thread connections are to ISO228
- WRAS Approved



### Material Specifications

NO	NAME	MATERIAL	QUANTITY
1	Body	HPb59- T	1
2	Ball	HPb59- T	1
3	O-Ring	NBR	2
4	Circlip	SUS304	1
5	Olive	T2 Copper	1
6	Compression Nut	HPb59- T	1
7	O-Ring	EPDM	2
8	Stem	HPb59- T	1
9	Connecting Pipe	HPb59- T	1
10	Washer	Red Paper	1
11	Connecting Nut	HPb59- T	1