

F x F Threaded ¼ Turn Full Bore Brass DZR Ball Valve



LBV 01



Technical Data

- Fields of applications: Water
- Max. working pressure: PN40
- Operating temperature range: -20°C to +120°C

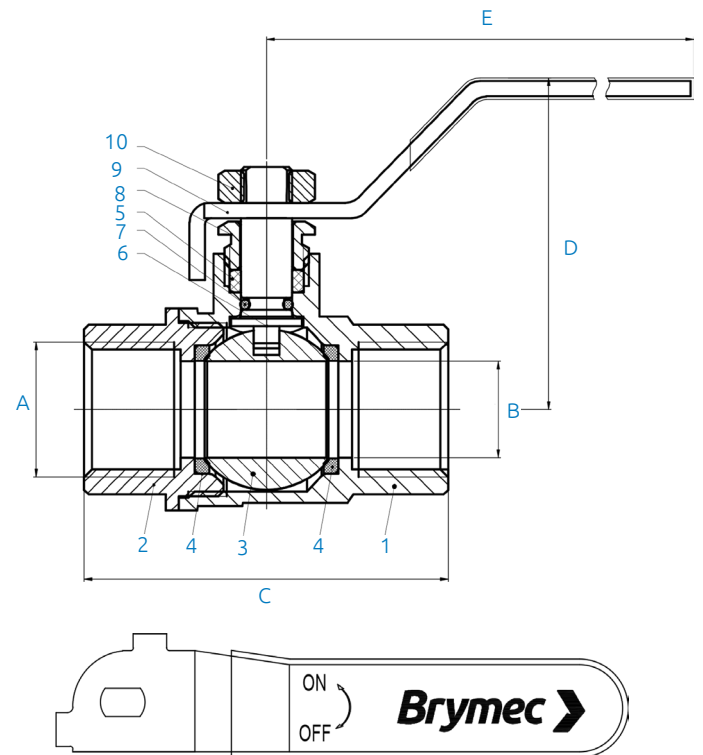
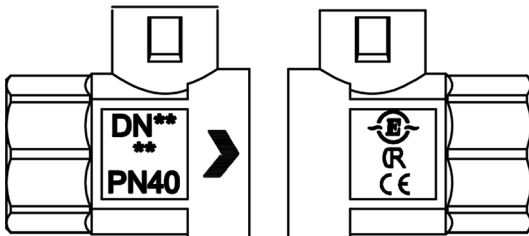
Applicable Standards

- Valves are manufactured in accordance with: EN13828
- Female thread connections are to: ISSO228
- WRAS approved, full bore



Features and Benefits

- Screwed BSP parallel
- PTFE seats & seals
- Anti blow out stem
- Full bore, bi-directional flow
- Locking lever handles available
- Thermal extension spindle options



Dimensions

STOCK NO.	DN	A	B (mm)	C (mm)	D (mm)	E (mm)
38842	½"	½"	14.5	56.7	48	88
38843	¾"	¾"	19	67	49	100
38844	1"	1"	24.5	77	62	125
38845	1 ¼"	1 ¼"	31.5	88	81	140
38846	1 ½"	1 ½"	40	99	90	140
38847	2"	2"	49	121	96	165

Material Specifications

NO	COMPONENT	MATERIAL	QUANTITY	OTHER
1	Body	CW602N	1	Natural
2	Bonnet	CW602N	1	Natural
3	Ball	CW602N	1	Chrome Plated
4	Ball Seat	PTFE	2	-
5	Stem	Brass	1	Natural
6	O-Ring	EPDM	1	-
7	Packing	PTFE	1	-
8	Lock Nut	Brass	1	Natural
9	Handle	Q235+PVC	1	Red & Blue
10	Nut	SS304	1	-