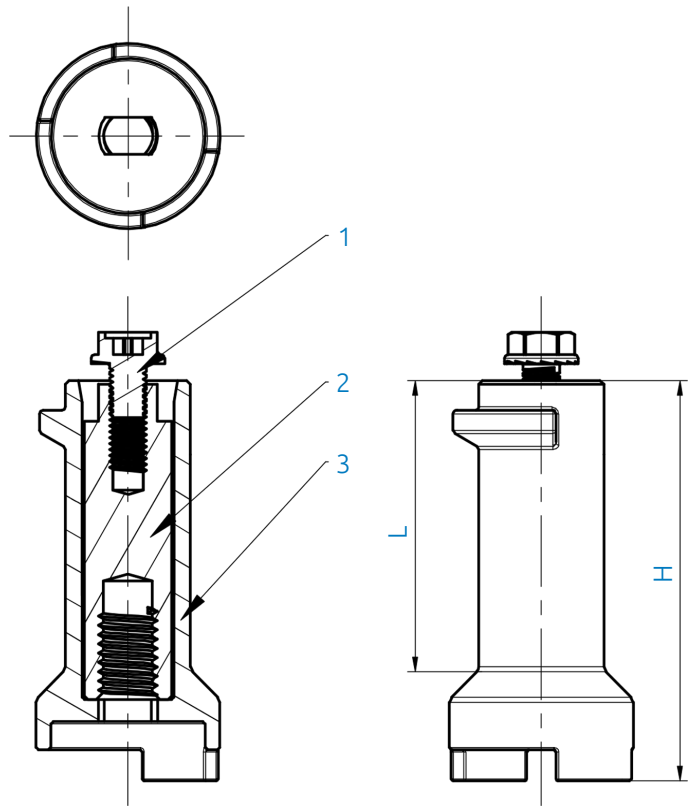
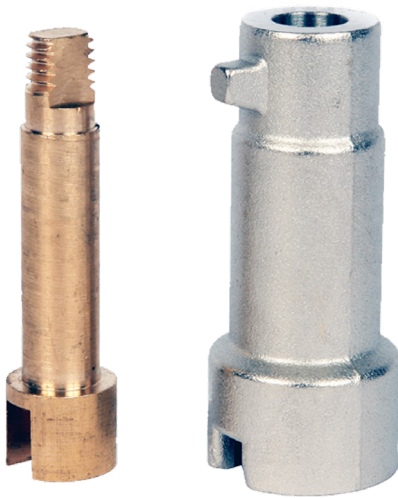
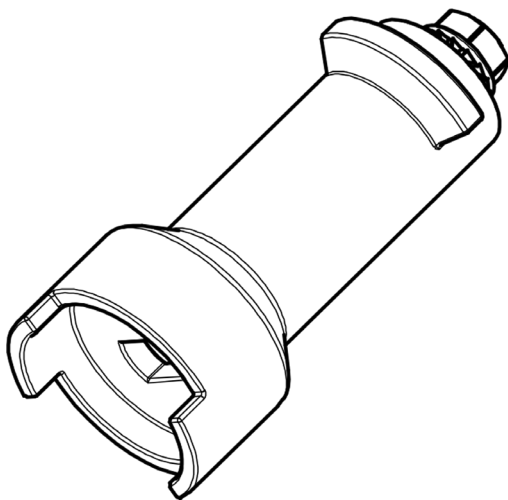


# Lever Ball Valve Thermal Extension LBV 03



## Features and Benefits

- Lever operation post pipework insulation
- Can be retro fitted
- Suitable for both Brymec DZR and brass lever ball valves
- Robust bolted design



## Material Specifications

NO	NAME	MATERIAL	QUANTITY	OTHER
1	Screw	Brass	1	Nickel Plated
2	Stem	Brass	1	Surface Brass Colour
3	Sleeve	Q235	1	Nickel Plated

## Versions and Products Codes

STOCK NO	DN	H	L
36650	1/4" - 3/4" / 15 - 22mm	55	39
36651	1" / 28mm	57	40
36653	1 1/4" - 1 1/2" / 35 - 42mm	62	45
36654	2" / 54mm	66	48