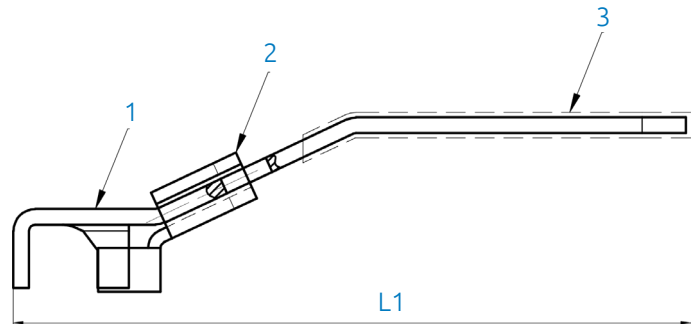


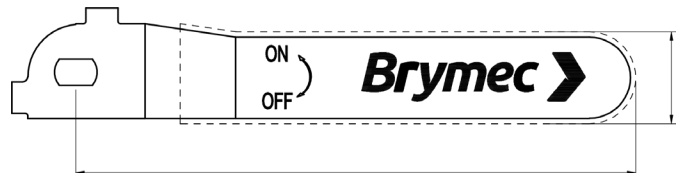
Lever Ball Valve Locking Lever Handle

LBV 04



Features and Benefits

- Prevents Unauthorised operation
- Can be retro fitted
- Suitable for both Brymec DZR and std brass lever ball valves



Versions and Products Codes

STOCK NO	DN	W	L1	L2
36659	1/4" - 3/4" / 15 - 22mm	19	105	95
36660	1" / 28mm	21	145	130
36662	1 1/4" - 1 1/2" / 35 - 42mm	25	185	167
36663	2" / 54mm	28	198	178

Material Specifications

NO	NAME	MATERIAL	QUANTITY	OTHER
1	Lever Handle	Q235	1	Chrome Plated
2	Slide Block	Q235	1	Chrome Plated
3	Sleeve	PVC	1	Black Colour