

F x F Threaded 1/4" Turn Full Bore Brass Ball Valve

LBV 05



Technical Data

- Fields of applications: Water
- Max. working pressure: 25 bar
- Operating temperature range: -20°C to +120°C

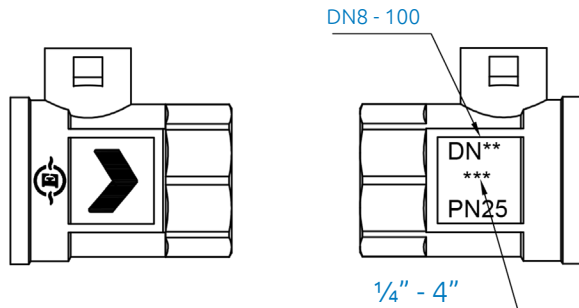
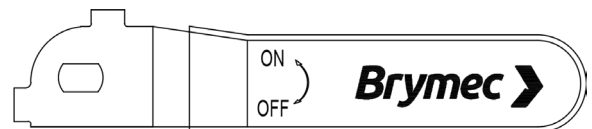
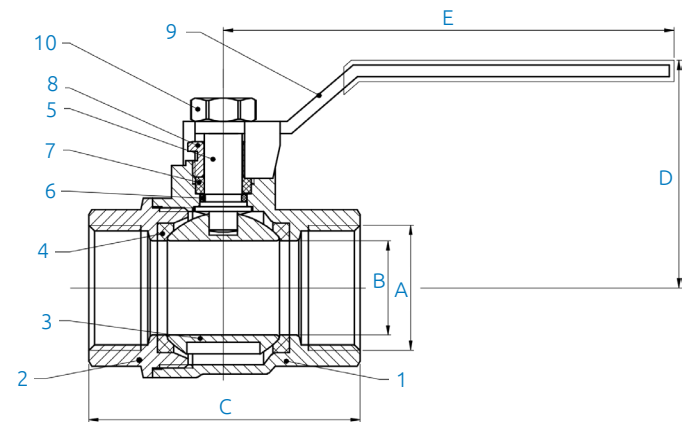
Applicable Standards

- Valves are manufactured in accordance with: EN13828
- Female thread connections are to: ISO228
- WRAS approved, full bore



Features and Benefits

- Screwed BSP parallel
- PTFE seats & seals
- Anti blow out stem
- Full bore, bi-directional flow
- Red & Blue handle included
- Locking lever & extension
- Spindle options available



Dimensions

STOCK NO.	DN	A	B (mm)	C (mm)	D (mm)	E (mm)
30714	1/4"	1/4"	10	44	46.5	79
30720	3/8"	3/8"	10	44	46.5	79
30721	1/2"	1/2"	14.5	50	50	93
30723	3/4"	3/4"	19	59	53	93
30704	1"	1"	24	65	62	115
30705	1 1/4"	1 1/4"	30	74	72	127
30724	1 1/2"	1 1/2"	40	89	76	162
30706	2"	2"	45	102	91	180
30725	2 1/2"	2 1/2"	62	138	128.5	24.1
30726	3"	3"	73	168	132	225
30727	4"	4"	90	199	143	280

Material Specifications

NO	COMPONENT	MATERIAL	QUANTITY	OTHER
1	Body	HPb59-T	1	NP
2	Bonnet	HPb59-T	1	NP
3	Ball	HPb59-T	1	Chrome Plated
4	Ball Seat	PTFE	2	-
5	O-Ring	HPb59-T	1	NP
6	Packing	EPDM	1	-
7	Stem	PTFE	1	-
8	Lock Nut	HPb59-T	1	NP
9	Handle	Q235+PVC	1	Red & Blue CP
10	Nut	Q235	1	Zinc Plating