

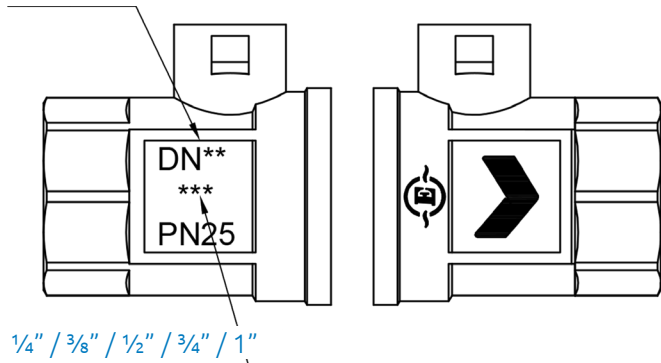
# ¼ Turn Full Bore Brass Ball Valve LBV 06



## Features and Benefits

- Red & Blue butterfly T handle
- Full Bore, Bi-directional flow
- F x F BSP threaded

DN8 / DN10 / DN15 / DN20 / DN25

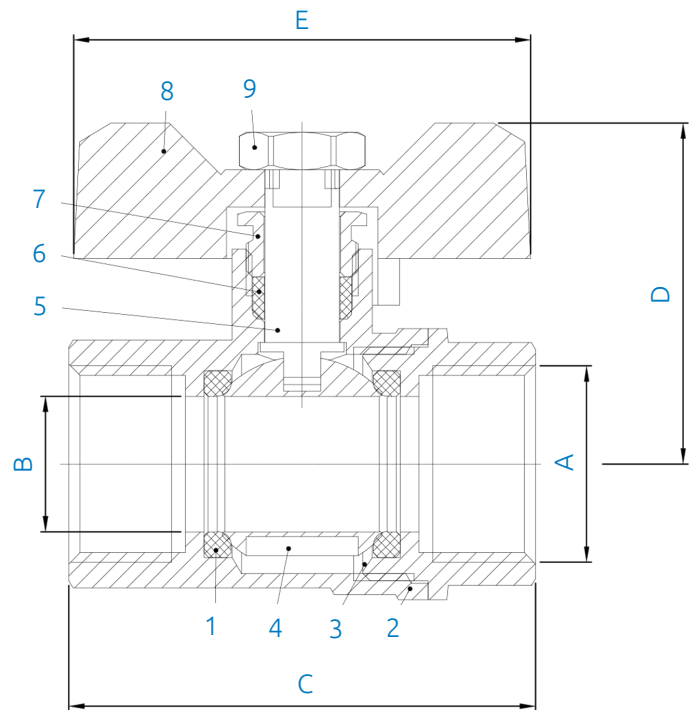


## Technical Data

- Fields of applications: water
- Maximum working pressure: 25 Bar
- Operating temperature range: -20°C to +120°C

## Applicable Standards

- Valves are manufactured in accordance with EN13828
- Female thread connections are to ISO228
- WRAS approved, full bore



## Versions and Products Codes

STOCK NO	DN	SIZE	A	B	C	D	E
36667	8	G ¼	10	44	35.4	49	
36668	10	G ⅜	10	44	35.4	49	
30473	15	G ½	14.5	50	41	49	
30474	20	G ¾	19	59	41	49	
36669	25	G 1	24	65	53	65.5	

## Material Specifications

ITEM	PARTS	MATERIAL	QUANTITY	OTHER
1	Body	HPb59-T	1	NP
2	Bonnet	HPb59-T	1	NP
3	Ball	HPb59-T	1	Chrome Plated
4	Ball Seat	PTFE	2	WRAS
5	Stem	HPb59-T	1	NP
6	Packing	PTFE	1	WRAS
7	Lock Nut	HPb59-T	1	NP
8	Bfy Handle	Aluminium Alloy	2	Red & Blue
9	Nut	Q235	1	NP