

# 1/4 Turn Full Bore Brass Ball Valve - Red & Blue Butterfly T Handle

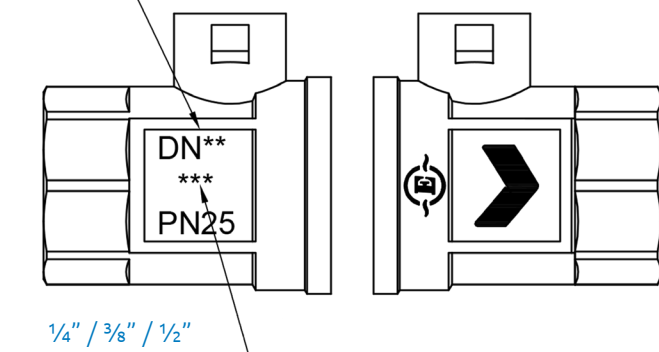
## LBV 07



### Features and Benefits

- Red & Blue butterfly T handle
- Full Bore, Bi-directional flow
- F x M BSP threaded

DN8 / DN10 / DN15



### Versions and Products Codes

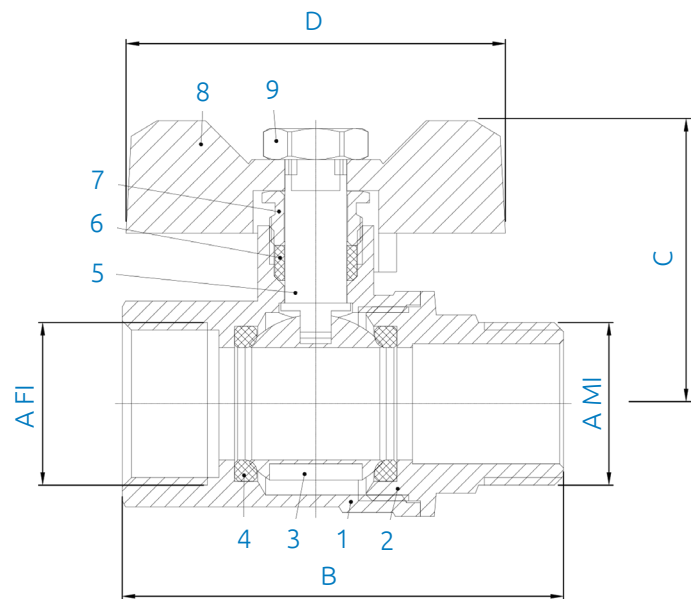
STOCK NO	DN	SIZE A	B	C	D
36670	8	1/4	54	35.4	49
36671	10	3/8	54	35.4	49
36672	15	1/2	57	41	49

### Technical Data

- Fields of applications: water
- Maximum working pressure: 25 Bar
- Operating temperature range: -20°C to +120°C

### Applicable Standards

- Valves are manufactured in accordance with EN13828
- Female thread connections are to ISO228
- WRAS approved, full bore



### Material Specifications

ITEM	PARTS	MATERIAL	QUANTITY	OTHER
1	Body	HPb59-T	1	NP
2	Bonnet	HPb59-T	1	NP
3	Ball	HPb59-T	1	Chrome Plated
4	Ball Seat	PTFE	2	WRAS
5	Stem	HPb59-T	1	NP
6	Packing	PTFE	1	WRAS
7	Lock Nut	HPb59-T	1	NP
8	Bfy Handle	Aluminium Alloy	2	Red & Blue
9	Nut	Q235	1	NP