

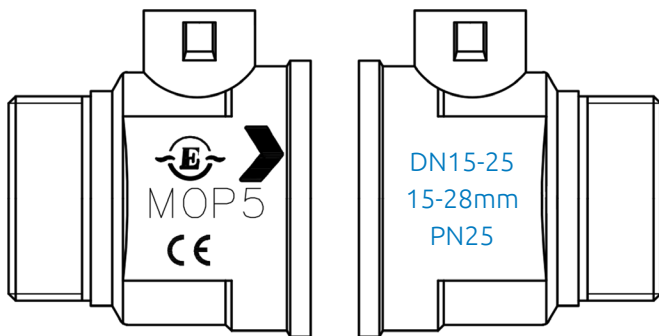
# ¼ Turn Compression Full Bore Brass Ball Valve

## LBV 10



### Features and Benefits

- Red & Blue butterfly T handle
- Full Bore, Bi-directional flow
- Compression connections for copper

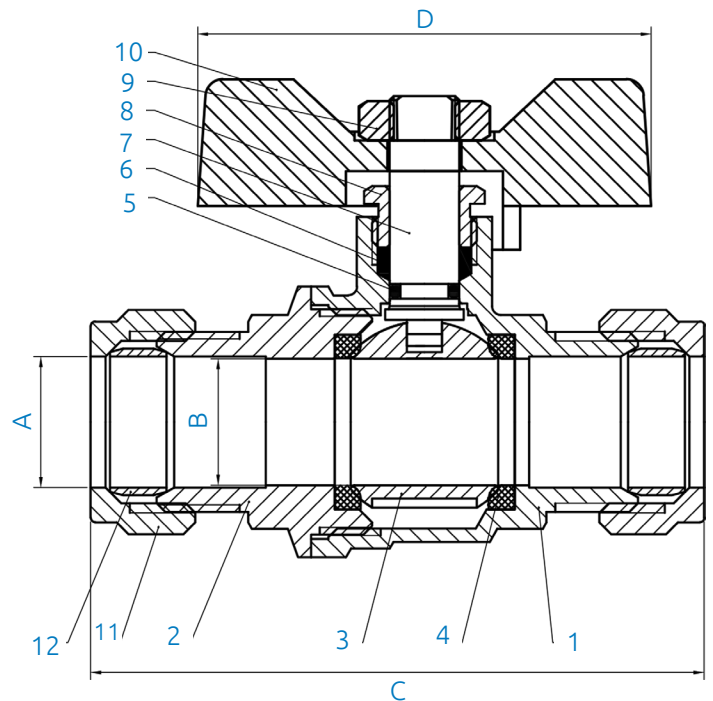


### Technical Data

- Fields of applications: water
- Maximum working pressure: 25 Bar
- Operating temperature range: -20°C to +110°C

### Applicable Standards

- Valves are manufactured in accordance with EN13828
- Compression connections comply with EN1254-2
- WRAS approved, full bore



### Versions and Products Codes

STOCK NO	DN	A	B	C	D
30770	½"	15	14.5	70.5	52
30771	¾"	22	19	82	52
30772	1"	28	24.5	91	62

### Material Specifications

ITEM	PARTS	MATERIAL	QTY	OTHER
1	Body	ND15-25	1	NP
2	Bonnet	HPb59-T	1	NP
3	Ball	HPb59-T	1	Crome plated
4	Ball Seat	PTFE	2	WRAS
5	O-ring	EPDM	1	WRAS
6	Packing	PTFE	1	WRAS
7	Stem	HPb59-T	1	NP
8	Lock nut	HPb59-T	1	NP
9	Nut	SS304	1	-
10	Handle	Aluminium Alloy	2	Red & Blue
11	Compression nut	HPb59-T	2	NP
12		H65	2	-