

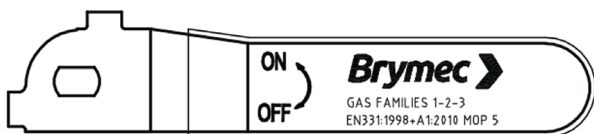
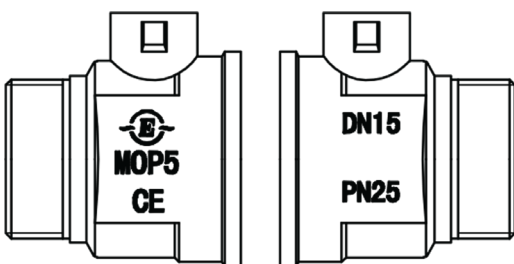
# ¼ Turn Gas Brass Ball Valve

## LBV 12



### Features and Benefits

- Gas Ball valve with BSP female connections
- Yellow handle for use in gas installations
- Full bore Bi-directional flow
- WRAS & EN 331 approved
- Locking lever, tee handle & spindle extension options



### Versions & Product Codes

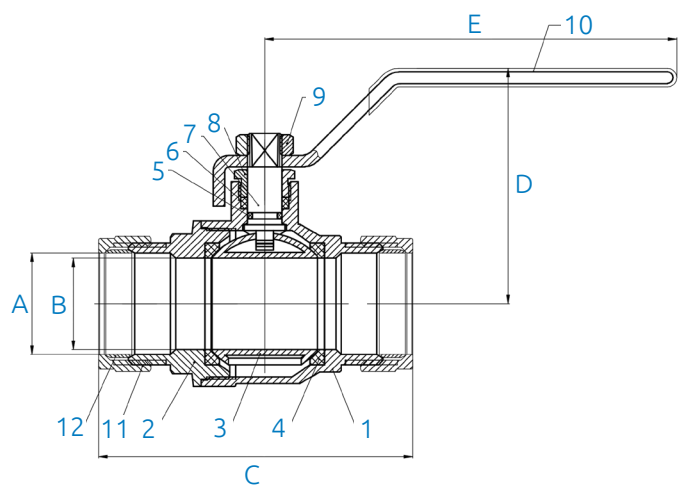
STOCK NO.	DN	A	B	C	D	E
30758	15	15	14.5	70.5	47	88
30759	22	22	19	82	52	100
30760	28	28	24.5	91	65	125
30761	35	35	31.5	108	78	142
30762	42	42	39.5	123	88	142
30763	54	54	49.5	144	96	165

### Technical Data

- Fields of applications: gas and water
- Maximum working pressure: 25 Bar (water); -20°C to +60°C (gas)
- Operating temperature range: -20°C to +110°C (water); -20°C to +60°C (gas)

### Applicable Standards

- Valves are manufactured in accordance with EN331
- Compression connections comply with EN1254-2
- WRAS approved, full bore



### Materials Specification

ITEM	NAME	MATERIAL	QTY	OTHER
1	Body	CW617N	1	NP
2	Bonnet	CW617N	1	NP
3	Ball	CW617N	1	Chrome Plated
4	Ball seat	PTFE	2	WRAS
5	O-ring	NBR	1	WRAS
6	Packing	PTFE	1	WRAS
7	Stem	Brass	1	NP
8	Lock nut	Brass	1	NP
9	Nut	SS304	1	-
10	Handle	Q235+PVC	1	Yellow
11	Compression nut	Brass	2	NP
12	Olive	H65	2	-